

GB

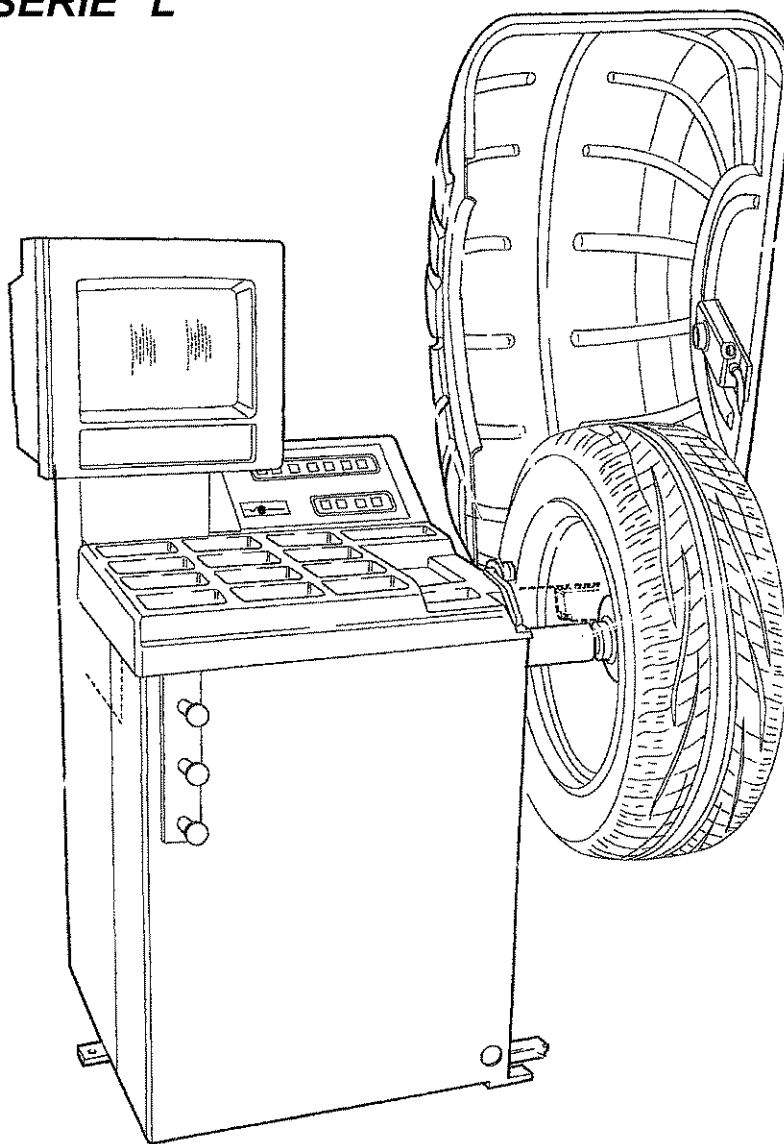


CE

PULSAR - PULSAR SE

**ELECTRONIC WHEEL BALANCER WITH MICROPROCESSOR
AND THREE-DIMENSIONAL GRAPHICS MONITOR
FOR CARS, COMMERCIAL VEHICLES AND MOTORCYCLES**

NR.490 SERIE "L"

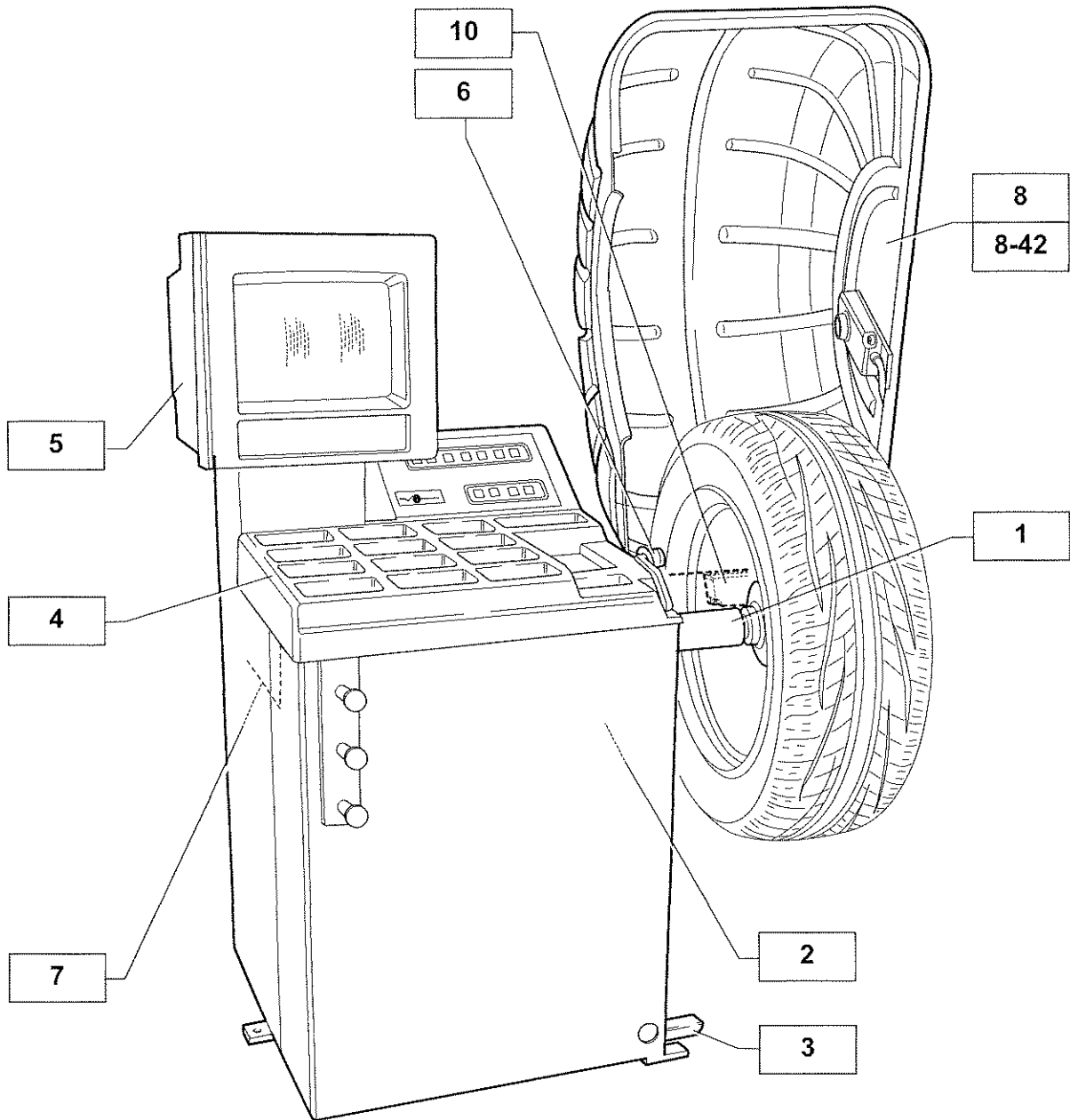


WERTHER INTERNATIONAL S.p.A.

Via F. BRUNELLESCHI, 12 42040 CADE' (RE) - ITALY

Telefono ++ / +522 / 9431 (r.a.) - Telefax ++ / +522 / 941997

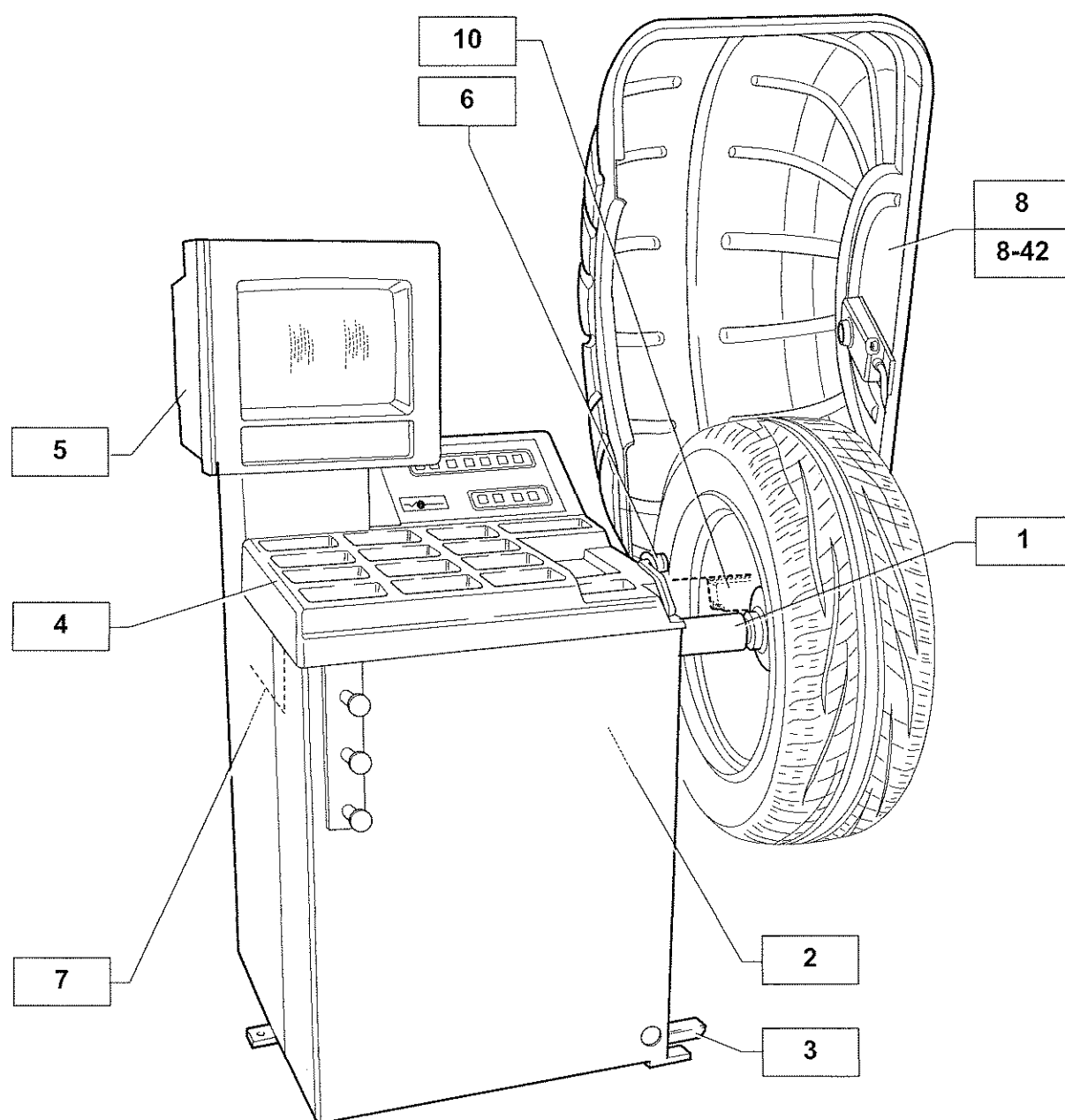
WEB <http://www.wertherint.com> - E-mail sales@wertherint.com



D0348-1	0374-1	1	MANDRINO	SHAFT ASSEMBLY
D0287-2	490-2	2	MOTORE+DATORE DI FASE+ TRASDUTTORI PIEZO	MOTOR+POSITION PICK-UP+ PIEZO TRANSDUCER
D0112-3	0112-3	3	FRENO	BRAKE
D490-4	490-4	4	BASAMENTO (1)	CASING (1)
D490-5	490-5	5	BASAMENTO (2)	CASING (2)
D0364-6	0364-6	6	CALIBRO AUTOMATICO: "Distanza + Diametro 22"	"DISTANCE + 22" DIAMETER" AUTOMATIC GAUGE
D0311-7	0311-7	7	POTENZA	POWER UNIT
D0206-8	0282-8	8	PROTEZIONE RUOTA	WHEEL GUARD
D0116-8-42	0282-8-42	8-42	PROTEZIONE RUOTA 42"	42" WHEEL GUARD
D0111-10	0117-10	10	SONAR EMS	EMS SONAR

* Particolari reperibili in commercio

* Parts on the market

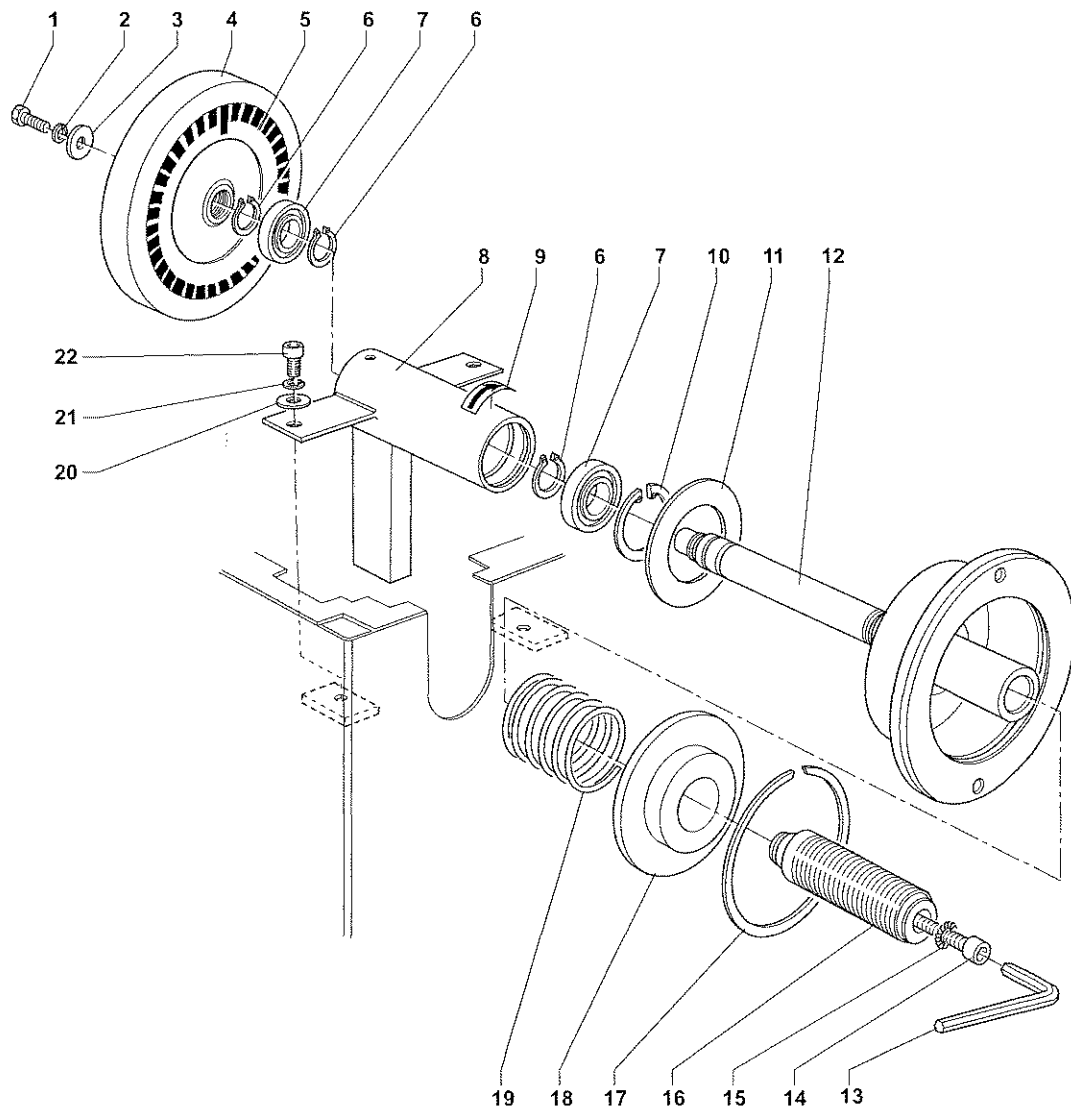


D0348-1	0374-1	1	DORN	BROCHE	MANDRIL
D0287-2	490-2	2	MOTOR+PHASENGEBER+PIEZOGEBER	MOTEUR+DONNEUR DE PHASE+TRANSDUCTEURS PIEZO	MOTOR+CAPTADOR DE FASE+TRANSDUCTORES PIEZOELECTRICOS
D0112-3	0112-3	3	BREMSE	FREIN	FRENO
D490-4	490-4	4	SOCKEL (1)	BASE (1)	BASE (1)
D490-5	490-5	5	SOCKEL (2)	BASE (2)	BASE (2)
D0364-6	0364-6	6	AUT. MESSLEHRE: "ABSTAND UND 22" DURCHMESSER"	CALIBRE AUTOMATIQUE: "DISTANCE + DIAMETRE 22"	CALIBRE AUTOMATICO: "DISTANCIA + DIAMETRO 22"
D0311-7	0311-7	7	NETZEINHEIT	PUISSANCE	POTENCIA
D0206-8	0282-8	8	RADSCHUTZVERKLEIDUNG	PROTECTION ROUE	PROTECCION RUEDA
D0116-8-42	0282-8-42	8-42	RADSCHUTZVERKLEIDUNG 42"	PROTECTION ROUE 42"	PROTECCION RUEDA 42"
D0111-10	0117-10	10	SONAR EMS	SONAR EMS	SONAR EMS

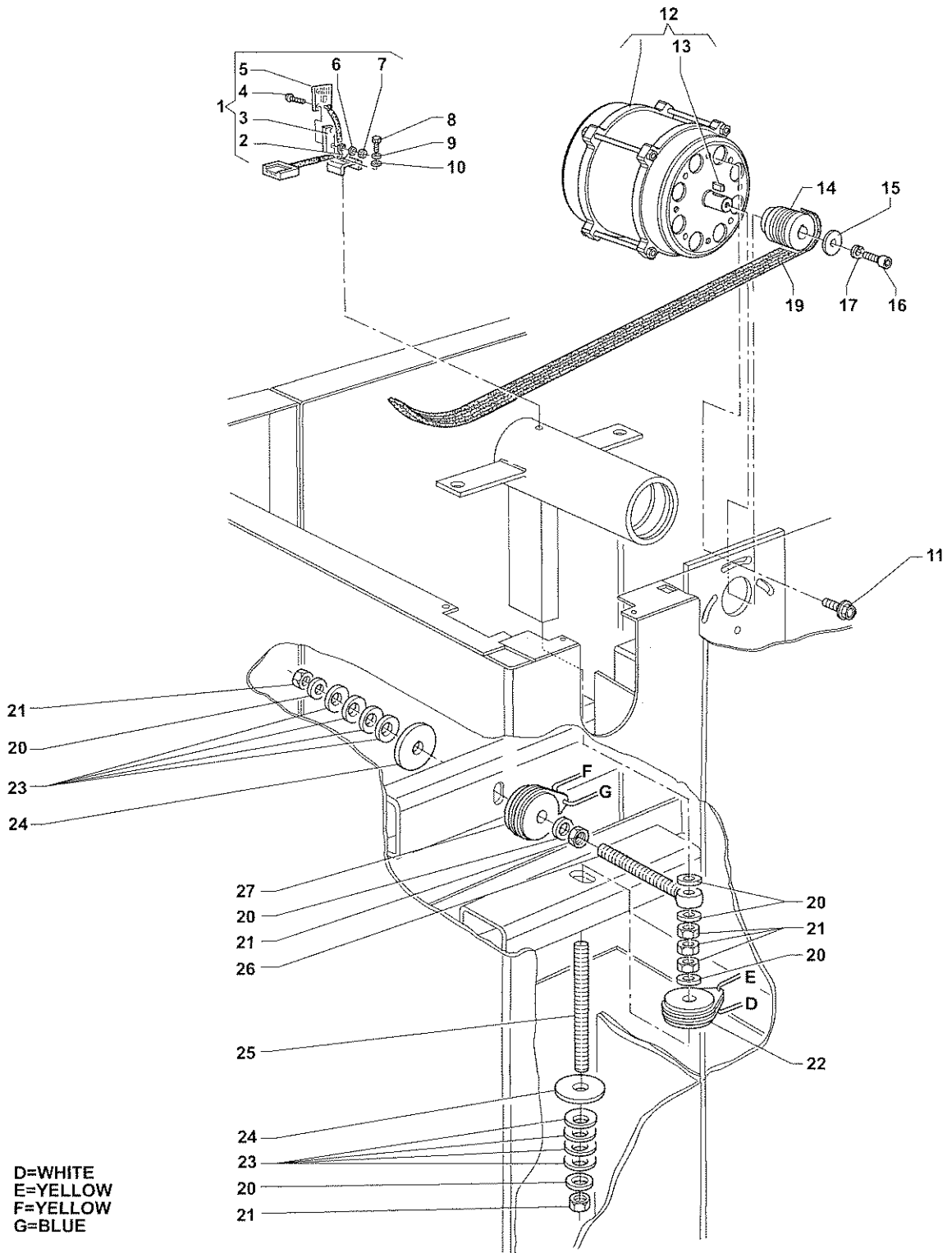
* Handelsübliche Teile

* Pièces se trouvant dans le commerce

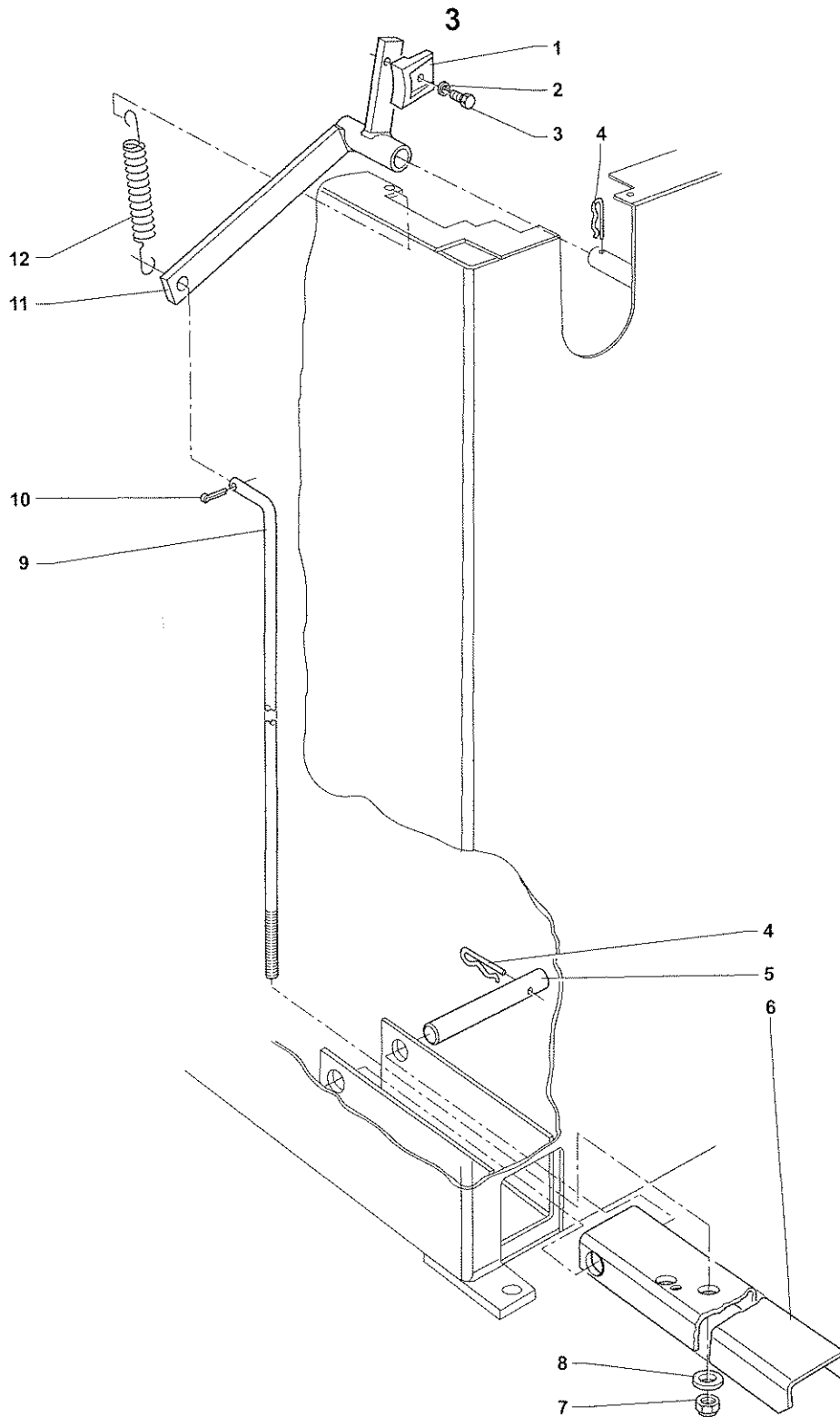
* Piezas que se encuentran en el mercado



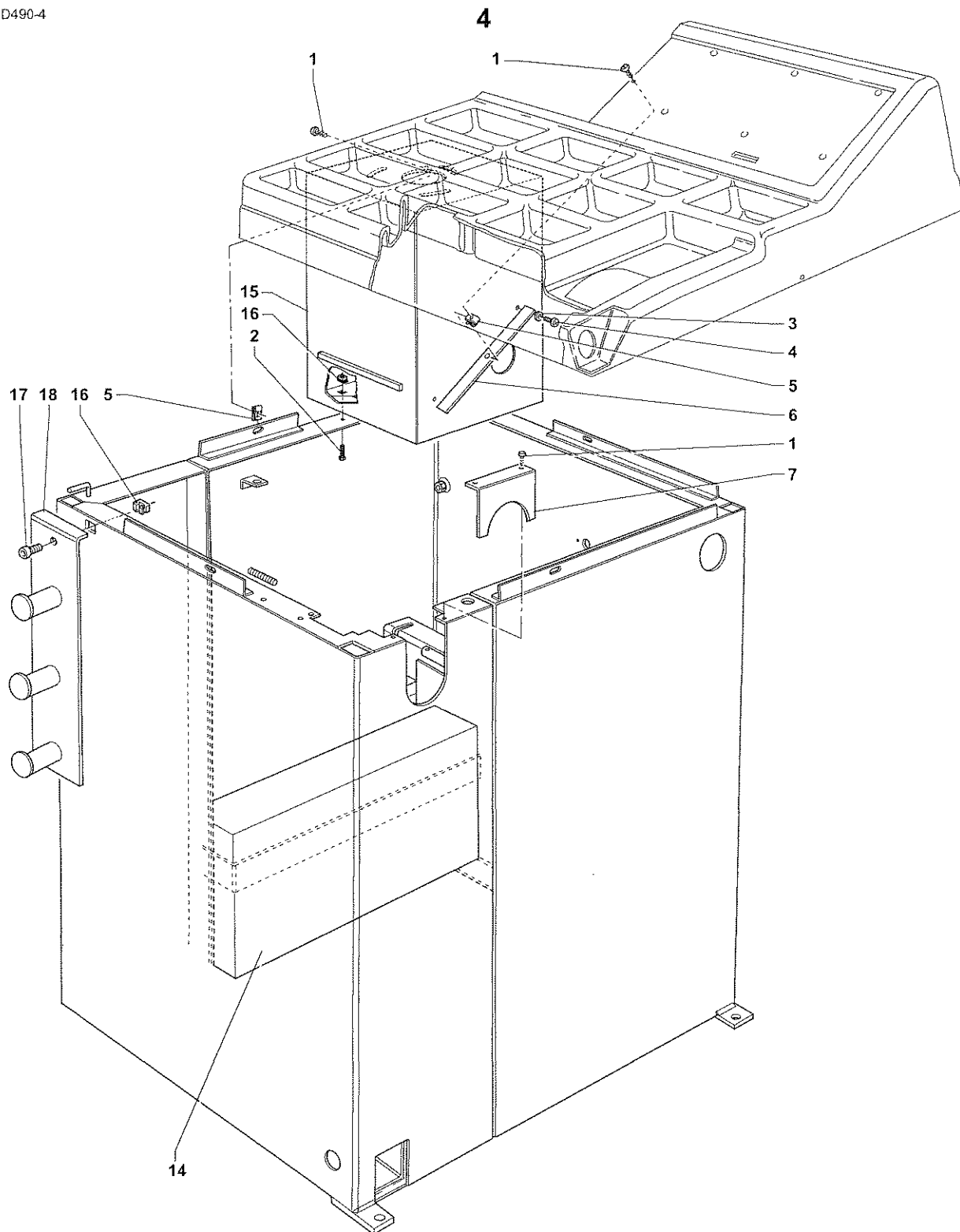
N.	CODE	DATA	N.	CODE	DATA	N.	CODE	DATA
1	311225120	*	11	04FM40630		21	325046008	*
2	325046010	*	12	42FM41391	Ø 40	22	312120093	*
3	326035011	*	13	114008002	*			
4	42FM49794		14	312120137	*			
5	04FM38621		15	325047011	*			
6	341000025	*	16	42FM51744	Ø 40 L = 205			
7	020600503	*	17	344200118	*			
8	42FM60997		18	42FP41056				
9	040010101		19	181198630				
10	342000047	*	20	326035009	*			



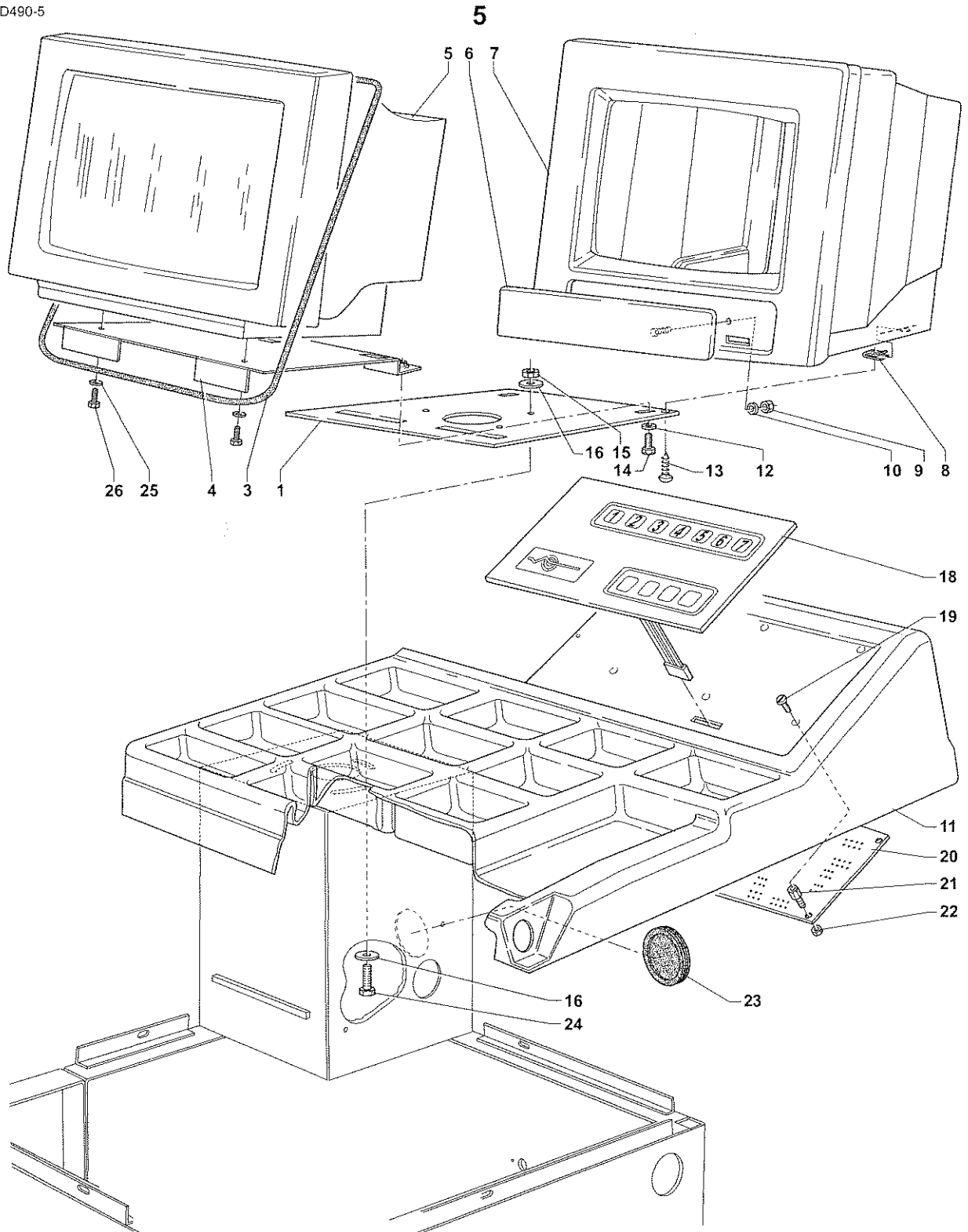
N.	CODE	DATA	N.	CODE	DATA	N.	CODE	DATA
1	86SD45607		11	310230512	*	21	321212010	*
2	420610639		12	50FG55641	230V/50-60 Hz	22	940701232	
3	42SD36228		12	50FG55643	115V/50-60 Hz	23	345122515	
4	314231018	*	13	348016018	*	24	326035011	*
5	67M38954N		14	07FG56429		25	105110165	
6	325035003	*	15	326035004	*	26	105114744	
7	321232003	*	16	312120035	*	27	940701233	
8	311220072	*	17	325046004	*			
9	325046006	*	19	080077007				
10	325035006	*	20	325035010	*			



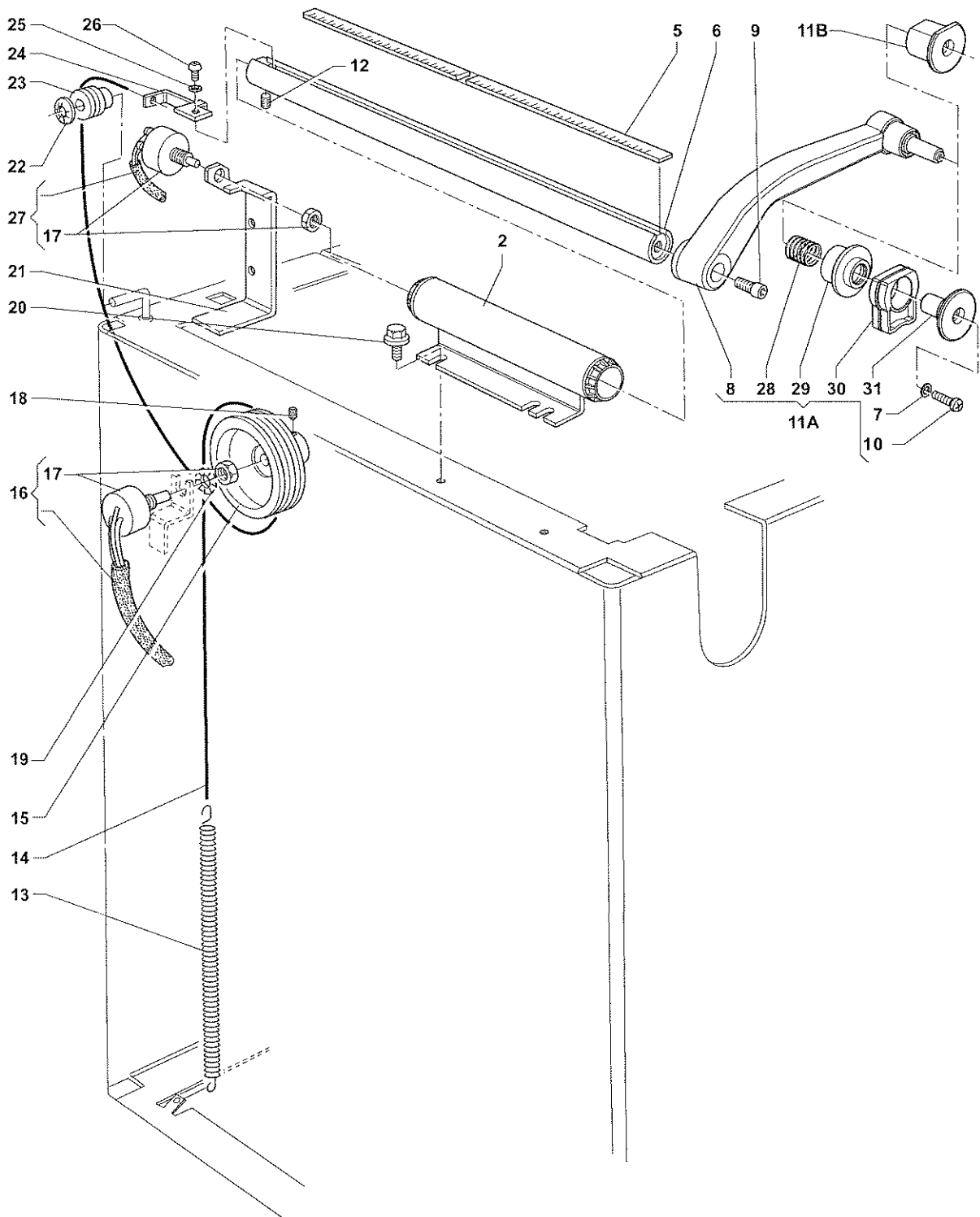
N.	CODE	DATA	N.	CODE	DATA	N.	CODE	DATA
1	217021434		11	42FB31957				
2	325035004	*	12	182245870				
3	311220034	*						
4	337110015	*						
5	42FB31958							
6	420923093							
7	321233008	*						
8	325035010	*						
9	420929392							
10	337110010	*						



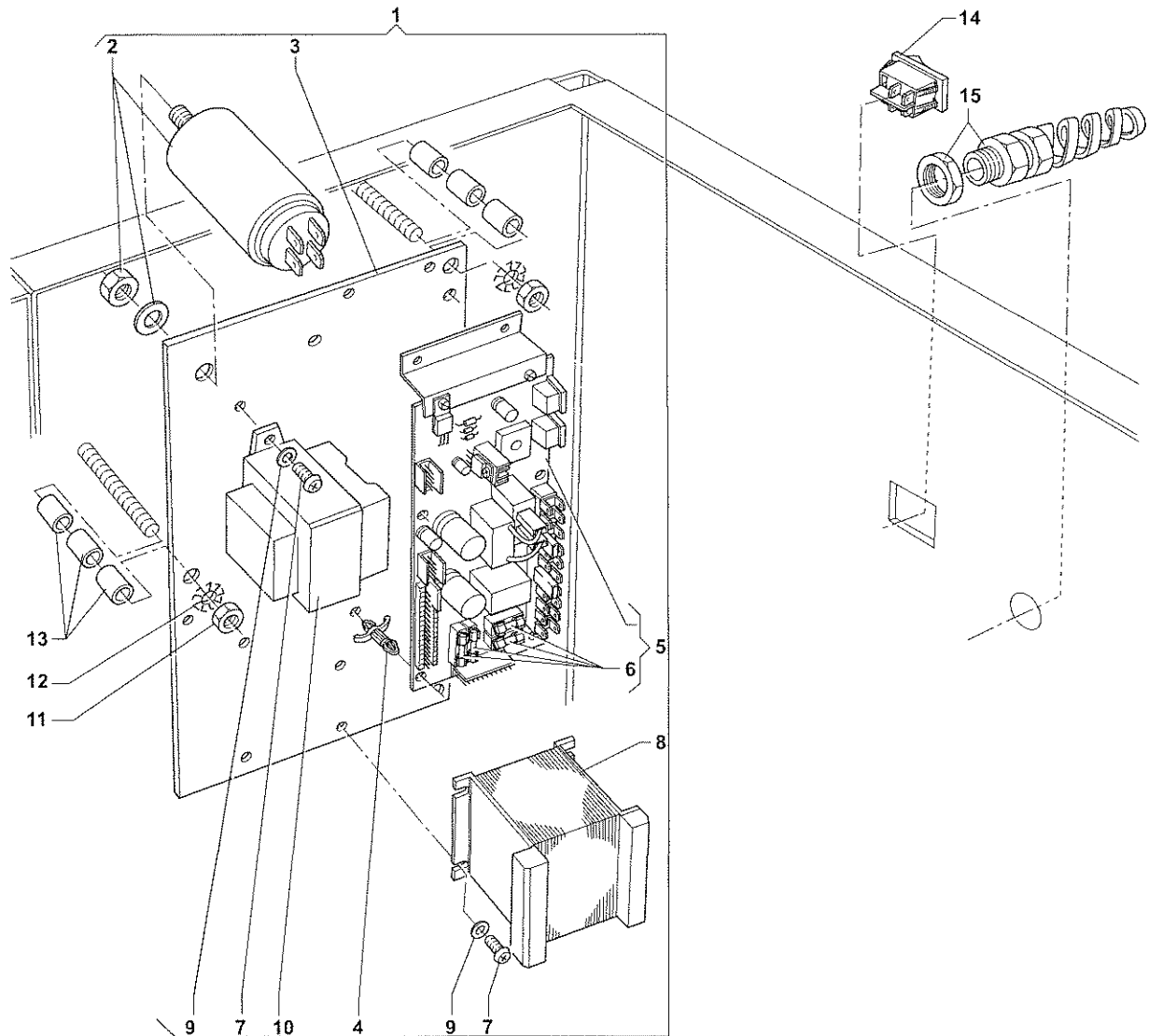
N.	CODE	DATA	N.	CODE	DATA	N.	CODE	DATA
1	314931069	*	16	200000016	*			
2	311220070	*	17	317220072	*			
3	325035004	*	18	42FB41283				
4	317232034	*						
5	329007041	*						
6	420222667							
7	42FB33514							
13	42BV61602							
14	301100007							
15	42FB65140							



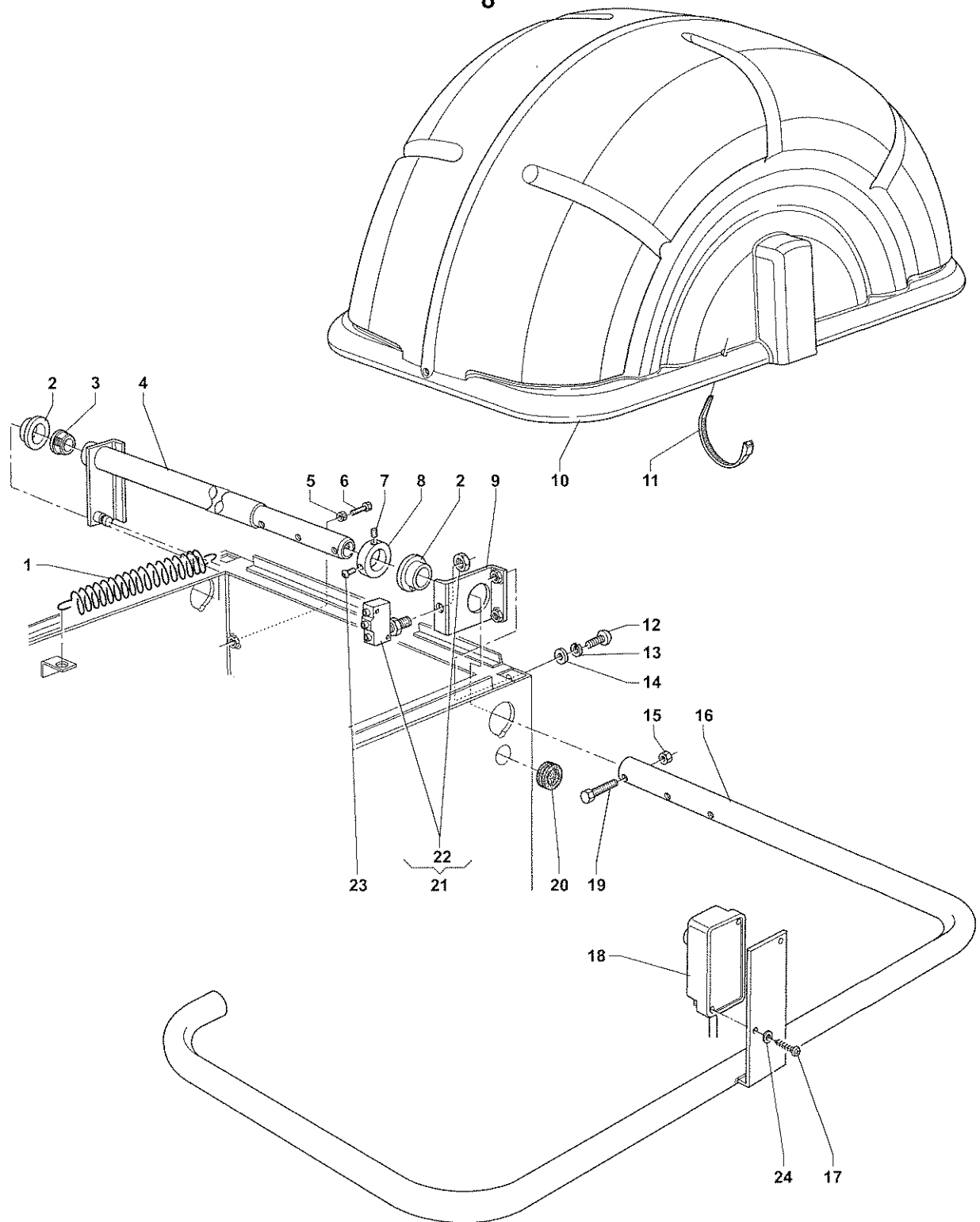
N.	CODE	DATA	N.	CODE	DATA	N.	CODE	DATA
1	42FB39792		12	325035006	*	22	321232003	*
3	215000060		13	314931069	*	23	526004800	*
4	42FB62800		14	311220071	*	24	311220073	*
5	801100172	(15")	15	321233006	*	25	325035008	*
6	42PR46551		16	326035006	*	26	311220091	*
7	14FB45694		18	05PR41965				
8	329000536	*	19	315231015	*			
9	321232004	*	20	86SC71080				
10	325035004	*	20	86SC71081	NOVOCA			
11	14PR51517		21	527034980	*			



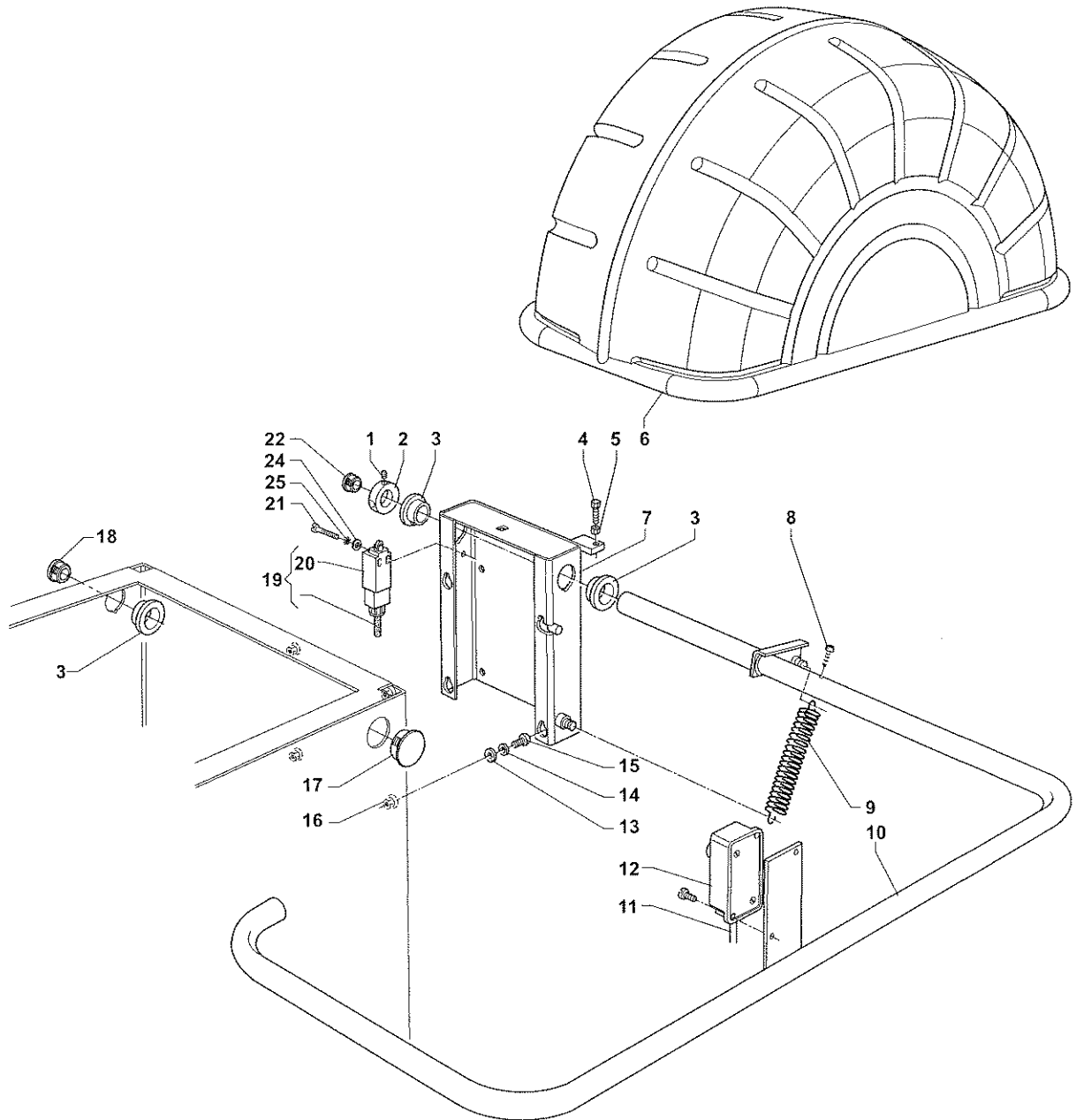
N.	CODE	DATA	N.	CODE	DATA	N.	CODE	DATA
2	42FB49858		13	182185750		23	217021283	
5	040142902		14	523000018		24	42FC40278	
6	42FC34863		15	217025965		25	325035003	*
7	325035004	*	16	86SB38988		26	314231018	*
8	21FC61932		17	588020312		27	86SB36493	
9	312120071	*	18	319218035	*	28	18FC61936	
10	314931051	*	19	325047010	*	29	21FC61934	
11A	46FC61931		20	310230616	*	30	21FC61935	
11B	46FC63713		21	42FC40276	*	31	21FC61933	
12	319216065	*	22	344200060	*			



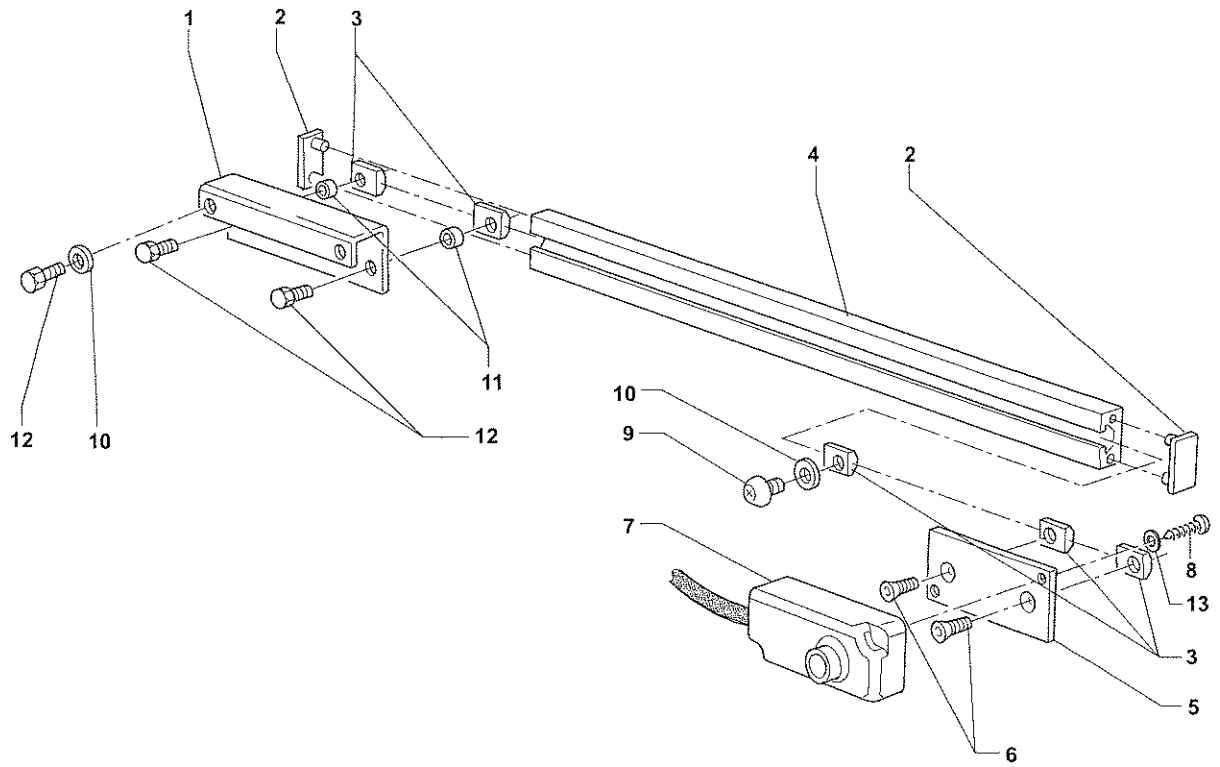
N.	CODE	DATA	N.	CODE	DATA	N.	CODE	DATA
1	86SZ52433	230V	8	611035187	40VA (115V)			
1	86SZ52434	115V	9	325035004	*			
2	568002057	20MF (230V)	10	611000314	40VA (230V)			
2	568003057	30MF (115V)	10	611000313	40VA (115V)			
3	42SZ44933		11	321232006	*			
4	527006175	*	12	325047006	*			
5	67M48208A		13	420230157				
6	681002001	*	14	511242101				
7	317232034	*	15	526003246	*			
8	611035188	40VA (230V)						



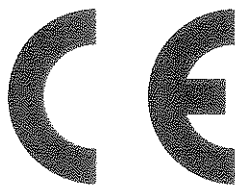
N.	CODE	DATA	N.	CODE	DATA	N.	CODE	DATA
1	182099630		11	523031916	*	21	86SB34144	
2	217019275		12	317224093	*	22	517141308	
3	213011873	*	13	325046008	*	23	317224068	*
4	42FW34988		14	325035008	*	24	325035003	*
5	321232008	*	15	321212010	*			
6	311220099	*	16	42FW40641				
7	319216068	*	17	314931018	*			
8	42FW32989		18	86SB35179				
9	42FW33191		19	311120124	*			
10	14FW32049		20	526002100	*			



N.	CODE	DATA	N.	CODE	DATA	N.	CODE	DATA
1	319216068	*	11	314931018	*	21	312120040	*
2	42FW32989		12	86SB58646		22	213011873	*
3	217019275		13	325035008	*	23	325035003	*
4	311220096	*	14	325046008	*	24	325035004	*
5	321232008	*	15	314231085	*	25	325047004	*
6	14FW41214		16	200000018	*			
7	42FW38965		17	213017503	*			
8	314931069	*	18	213000351	*			
9	18FW44391		19	86SB38585				
10	42FW45281		20	517140515				



N.	CODE	DATA	N.	CODE	DATA	N.	CODE	DATA
1	42RS43619		11	42RS43594				
2	529002679	*	12	311220069	*			
3	329220060	*	13	325035003	*			
4	42RS43620							
5	42RS43595							
6	313220070	*						
7	86SB43673							
8	314931018	*						
9	317224068							
10	325035006	*						



Dichiarazione CE di conformità
Déclaration CE de conformité
EC Declaration of Conformity
EG-Konformitätserklärung
Declaração de conformidade



WERTHER INTERNATIONAL S.p.A.

Via F.Brunelleschi, 12 42040 CADE' (Reggio Emilia) Italy

Tel.++/+522/9431 (r.a.) Fax ++/+522/941997

con la presente dichiara che la equilibratrice modello
déclare par la presente que le equilibreuse modèle
hereby declare that the balancing machine model
erklären hiermit, daß die Reifenauswuchtmaschine
Com a presente, declaramos que a máquina balanceadora modelo

PULSAR

I

è stato costruito in conformità alle normative 73/23 CEE - 89/336 CEE e 98/37/CE

F

a été construite en conformité avec les normes 73/23 CEE - 89/336 CEE et 98/37/CE

GB

was manufactured in conformity with the normes 73/23 CEE - 89/336 CEE and 98/37/CE

D

in Übereinstimmung mit den Richtlinien 73/23 CEE - 89/336 CEE und 98/37/CE

E

ha sido fabricado según las disposiciones 73/23 CEE - 89/336 CEE y 98/37/CE

P

Foi fabricada em conformidade com as normas 73/23 CEE - 89/336 CEE y 98/37/CE

Cadè,03/11/2006

Vice president Iori Werter

