



I

204I/A 3SF

GB

F

D

E



SOLLEVATORE ELETTRIDRAULICO A 2 COLONNE

2-POST ELECTRO-HYDRAULIC LIFT

ÉLÉVATEUR ÉLECTRO-HYDRAULIQUE À 2 COLONNES

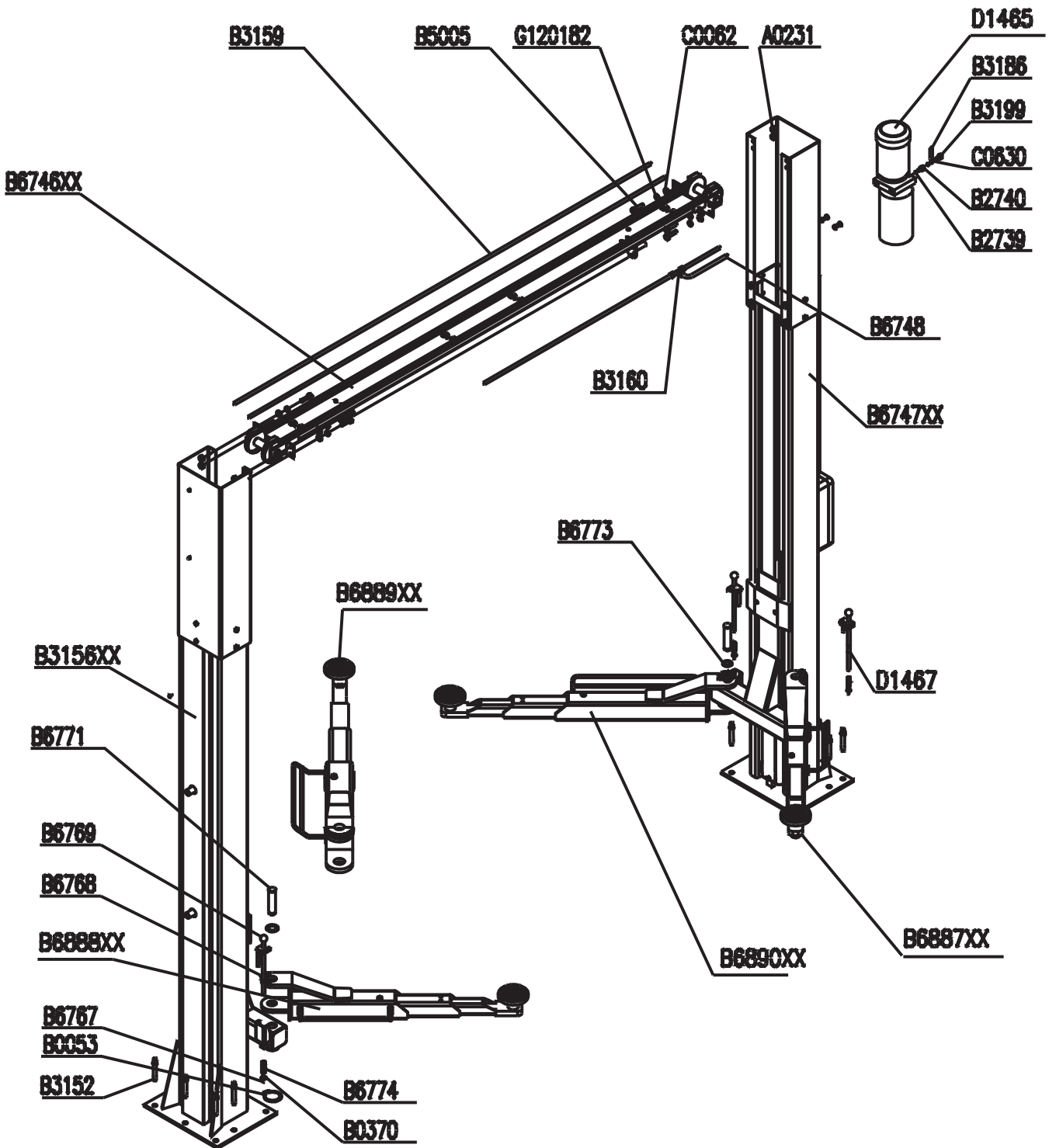
ELEKTROHYDRAULISCHEN HEBEBÜHNE MIT 2 SÄULEN

ELEVADOR ELECTRO-HIDRAULICO DE 2 COLUMNAS

STRUTTURA PRINCIPALE (380)

MAIN STRUCTURE (380V)

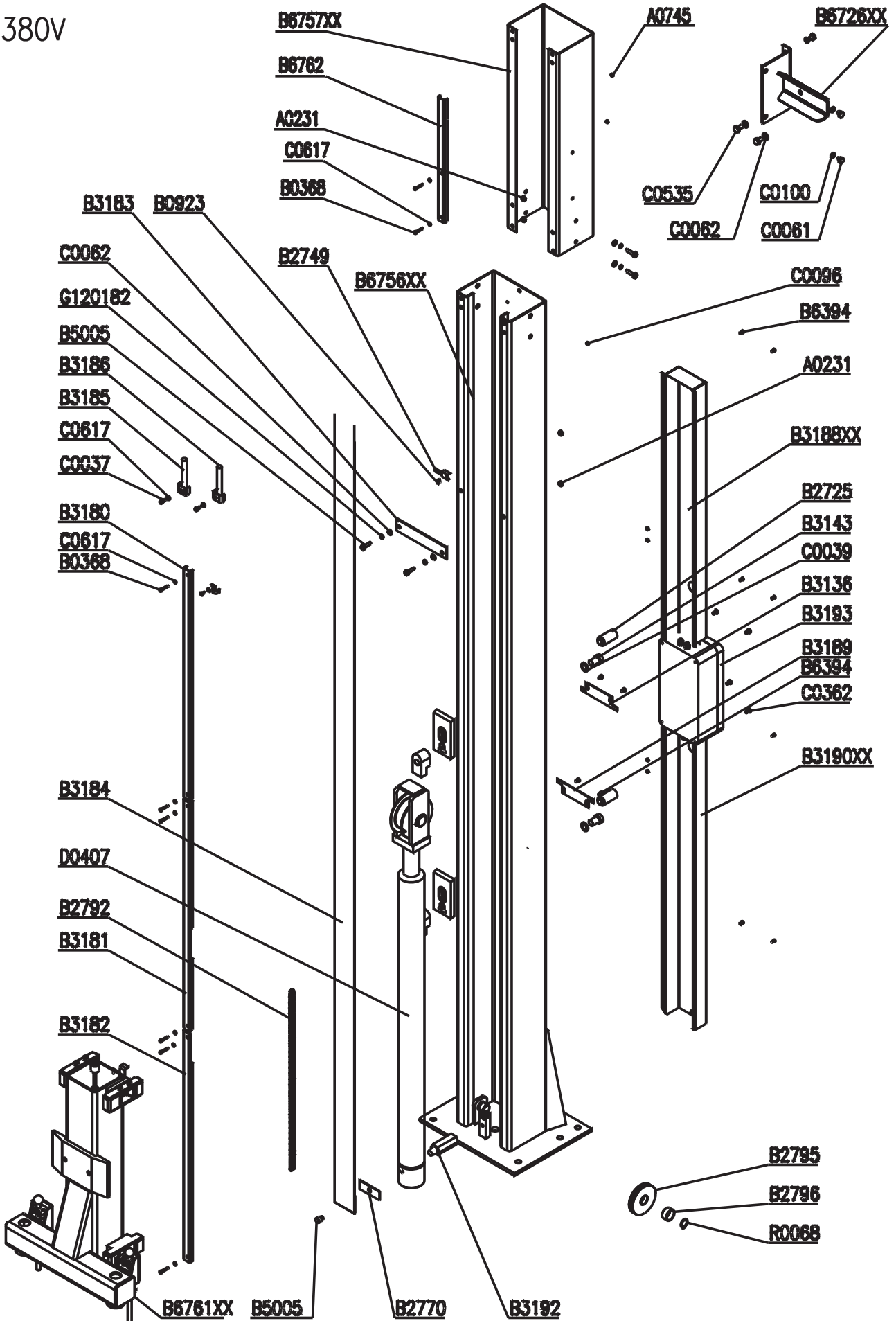
380V



COLONNA COMANDO (380)

MAIN COLUMN (380V)

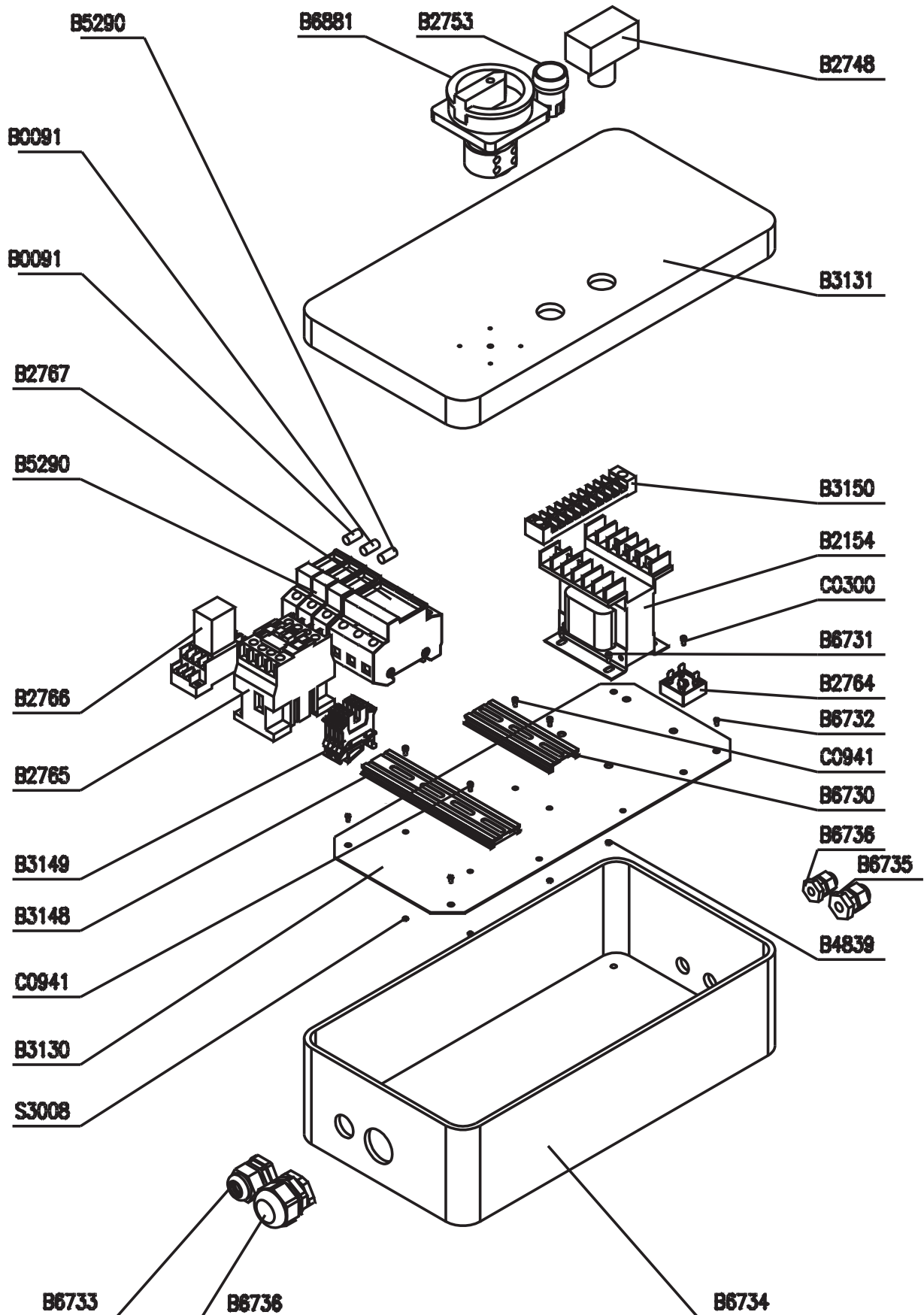
380V



QUADRO ELETTRICO TRIFASE(380V)

THREE-PHASE CONTROL PANEL (380V)

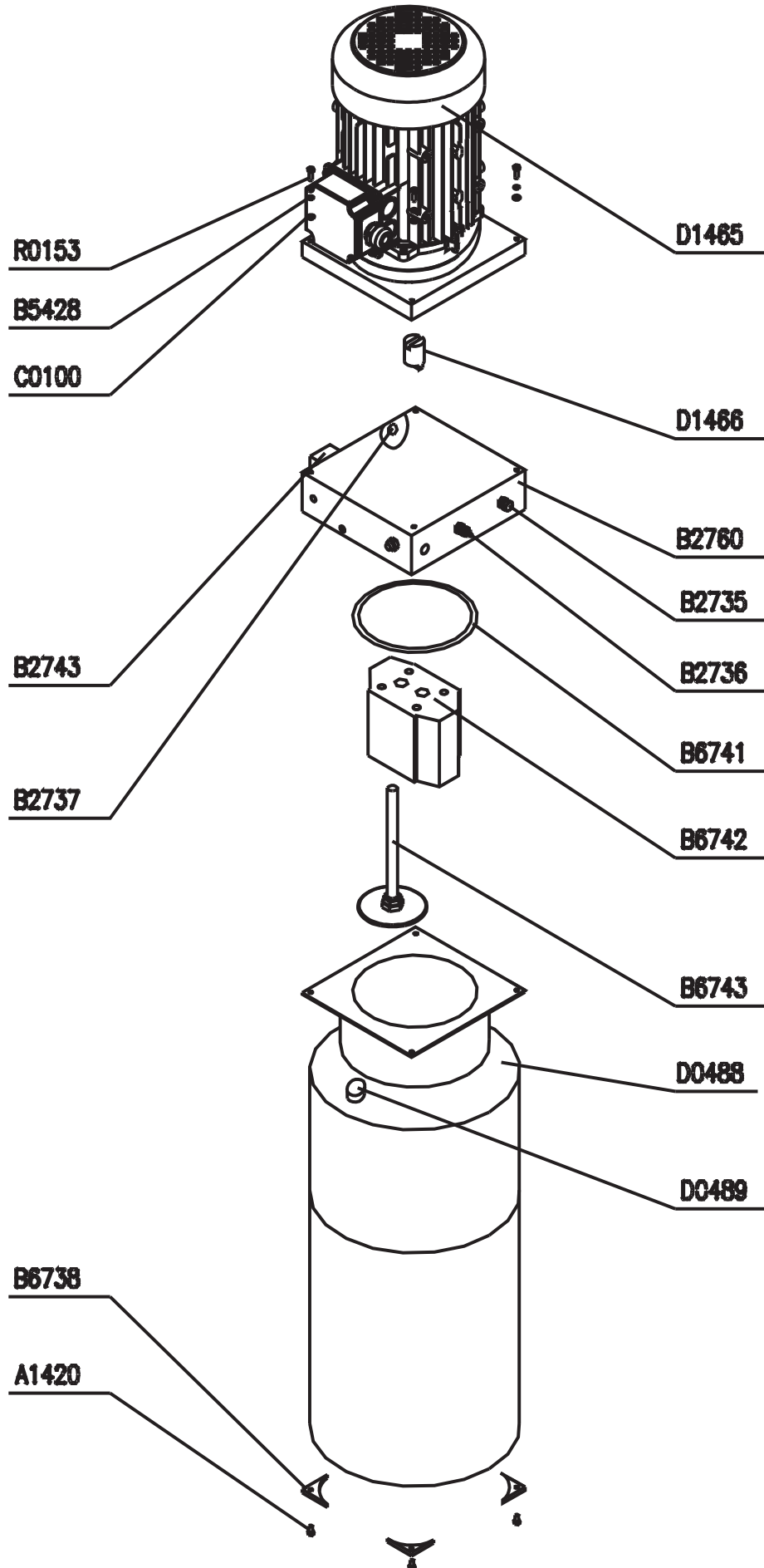
380V



CENTRALINA OLEODINAMICA (380V)

OLEODYNAMIC CONTROL UNIT (380V)

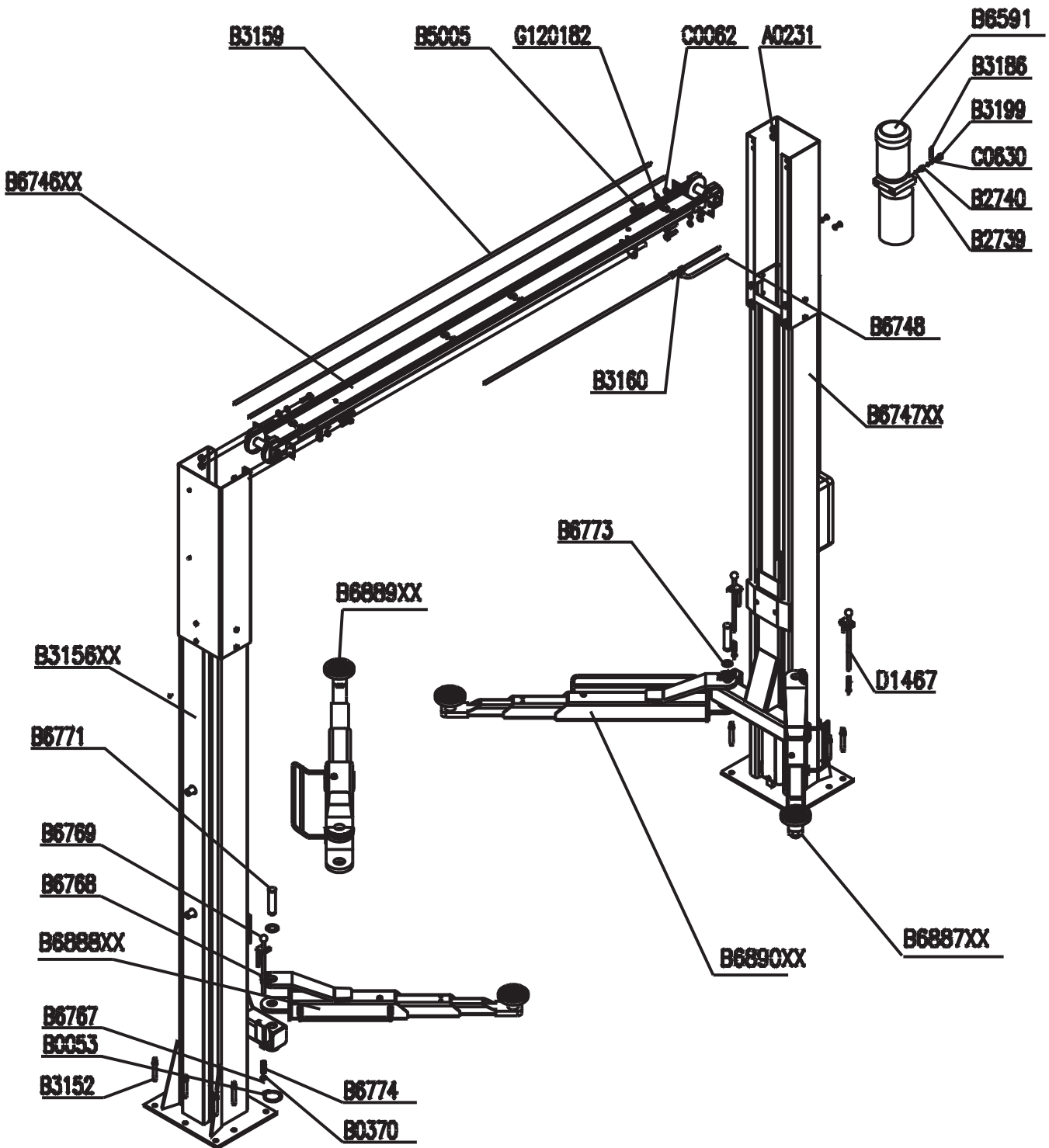
380V



STRUTTURA PRINCIPALE (220)

MAIN STRUCTURE (220V)

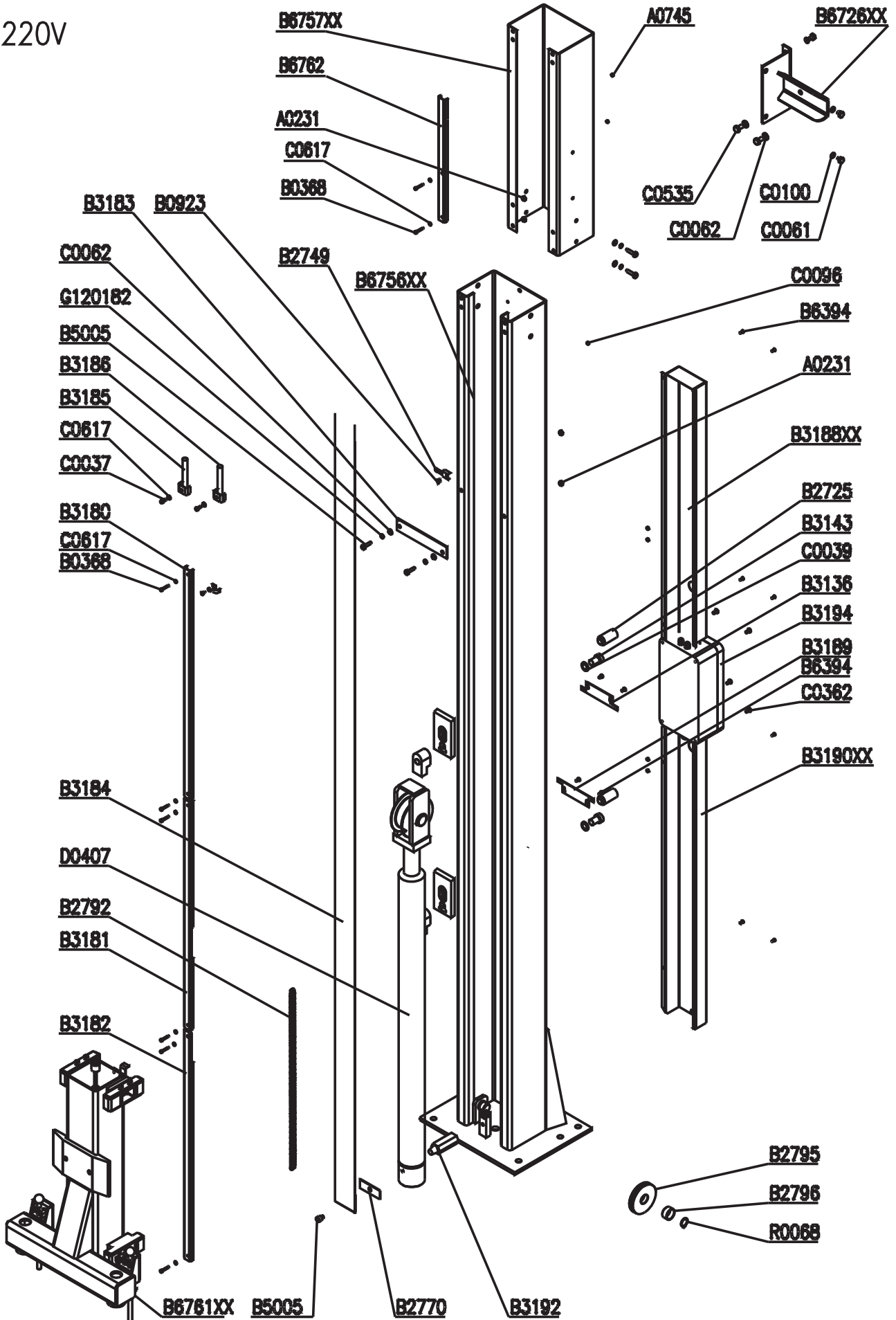
220V



COLONNA COMANDO (220)

MAIN COLUMN (220V)

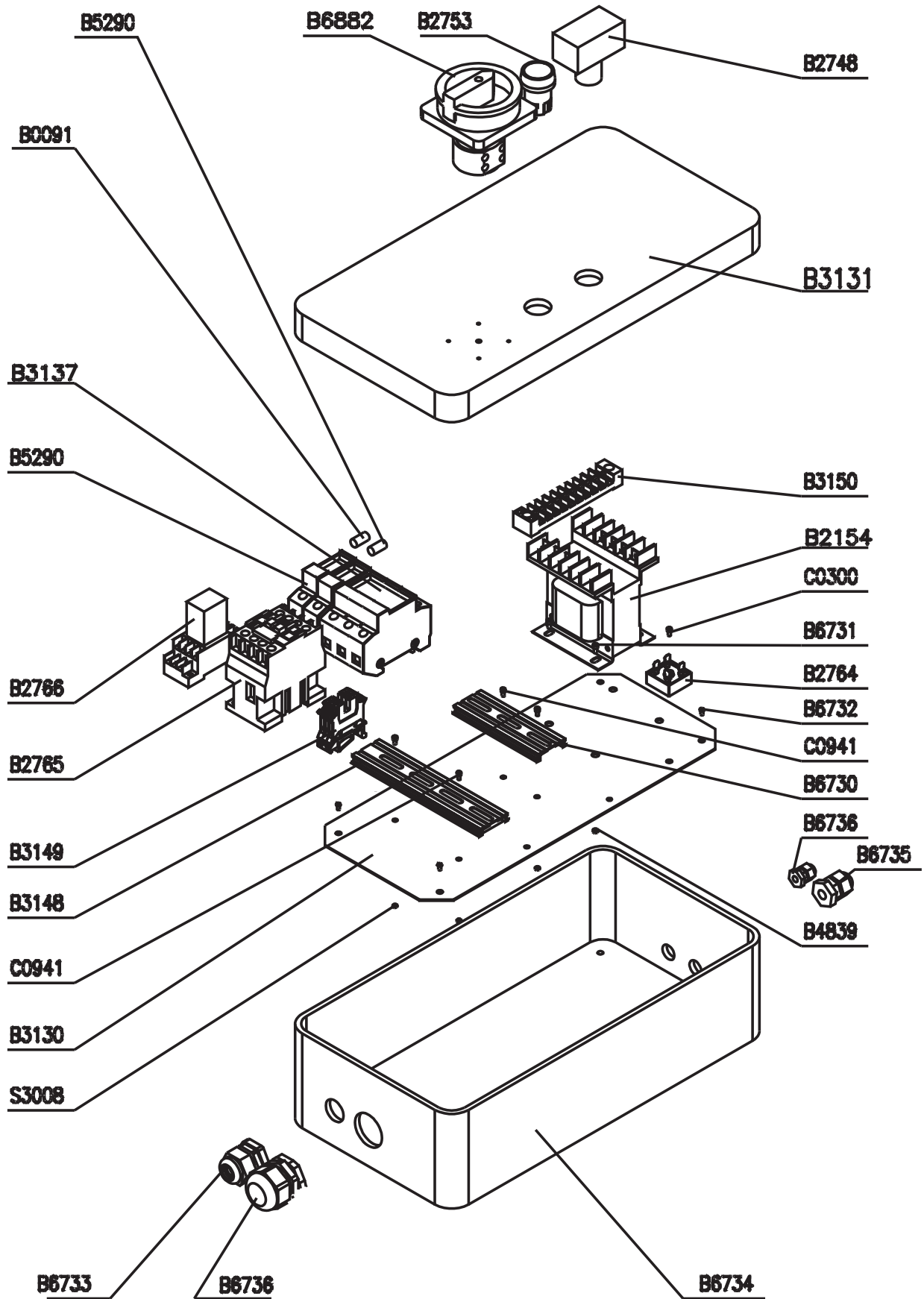
220V



QUADRO ELETTRICO MONOFASE (220V)

MONO-PHASE CONTROL PANEL (220V)

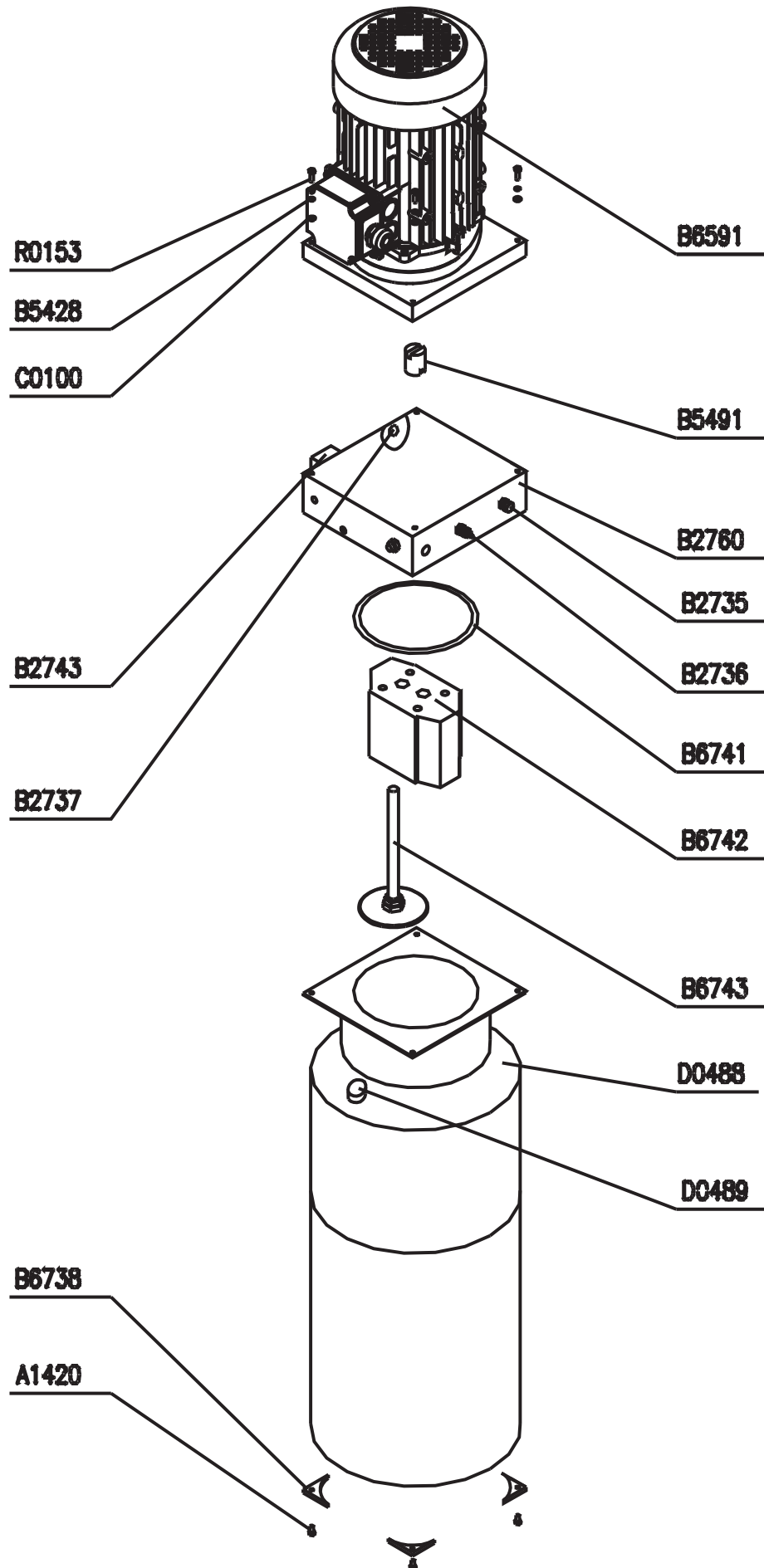
220V



CENTRALINA OLEODINAMICA (220V)

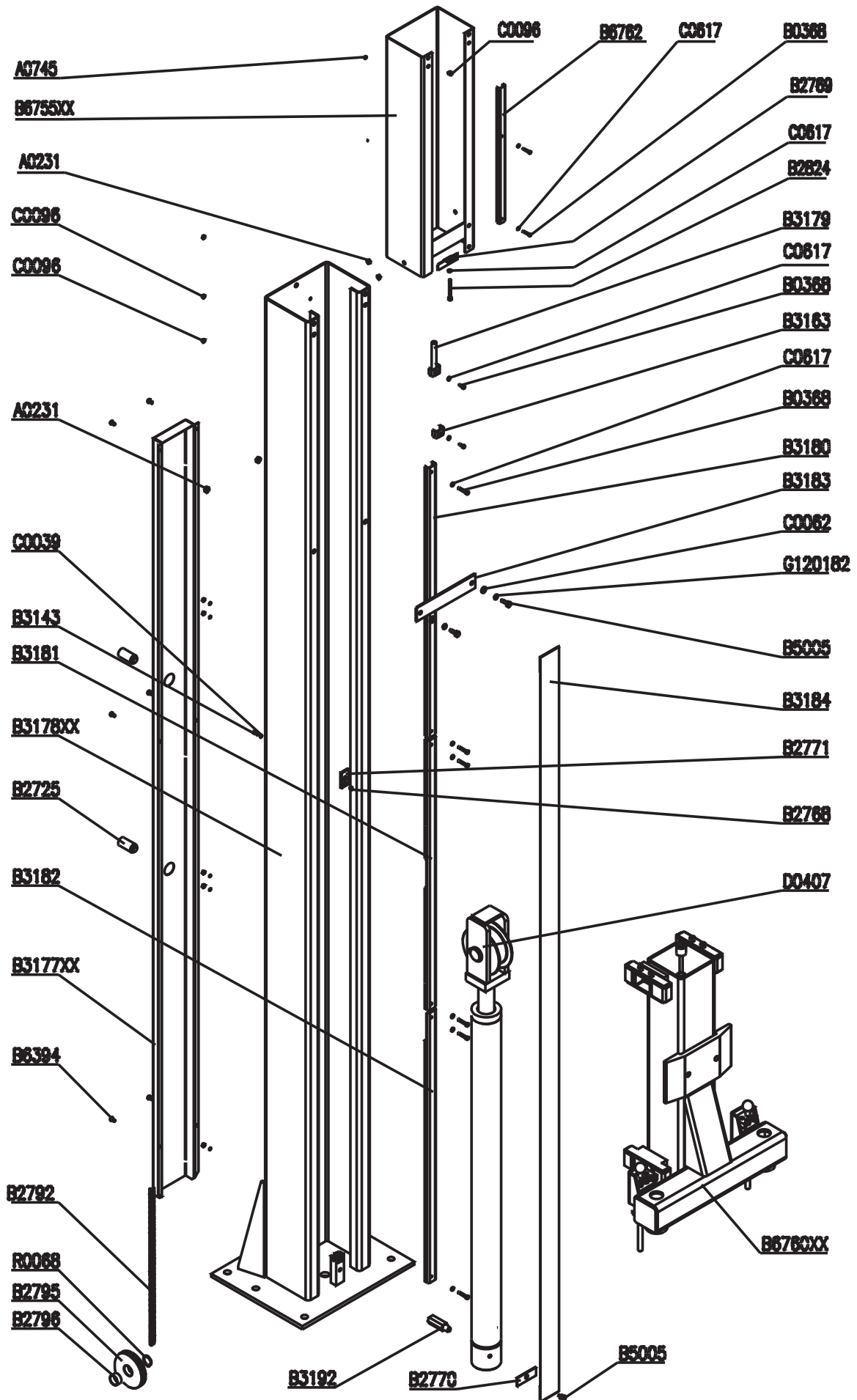
OLEODYNAMIC CONTROL UNIT (220V)

220V



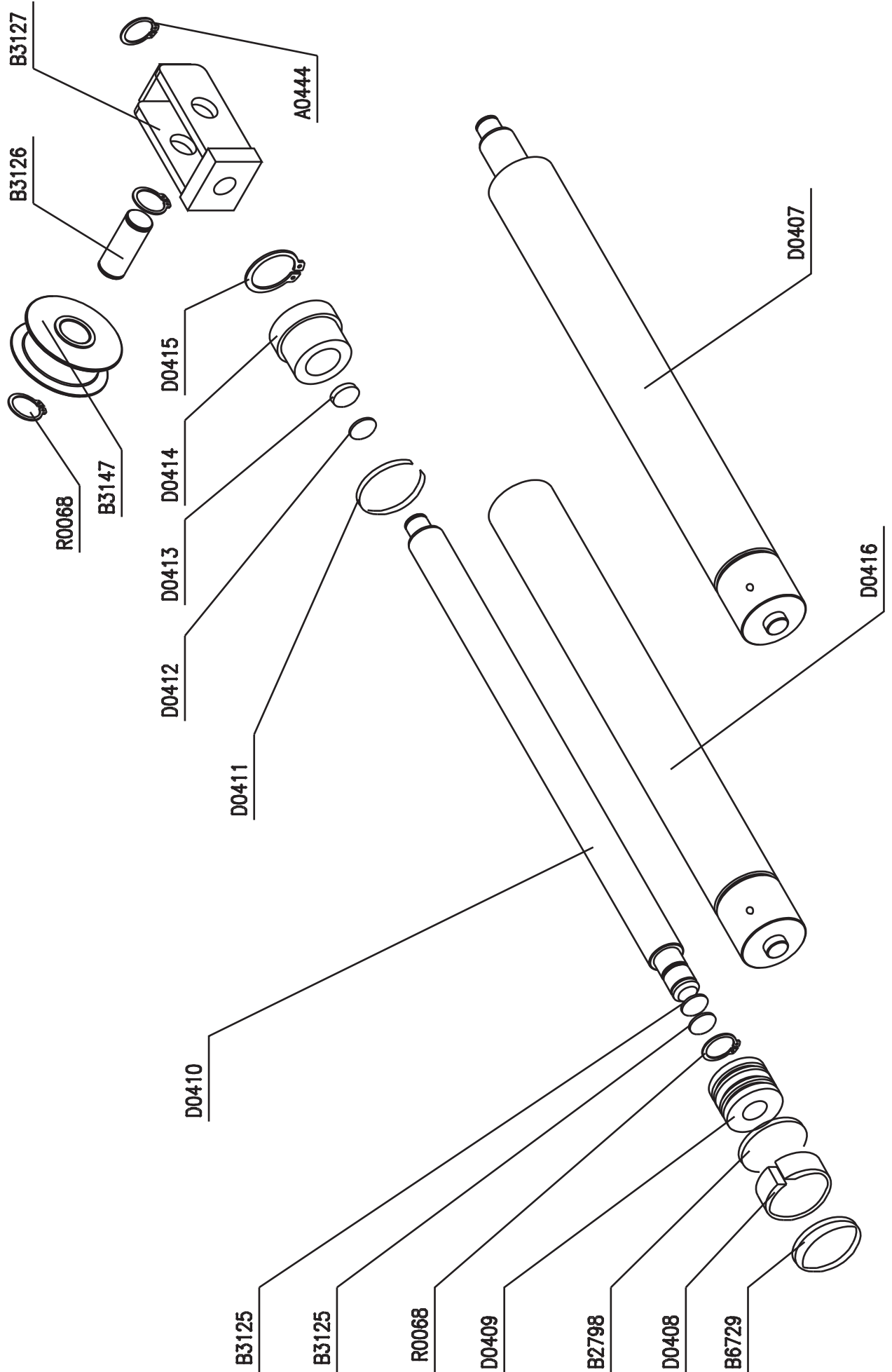
COLONNA SERVIZIO

SUB COLUMN



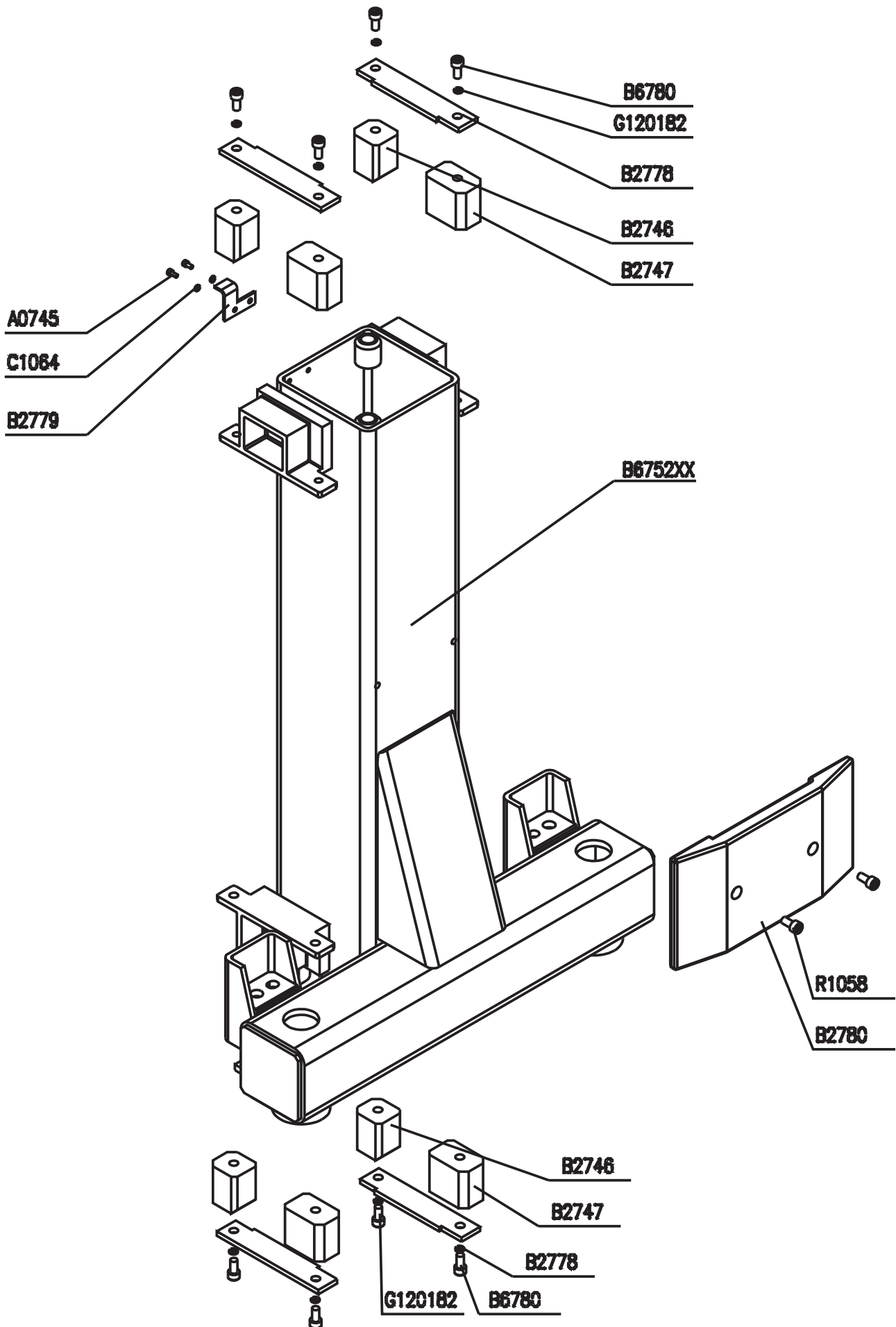
CILINDRO

CYLINDER



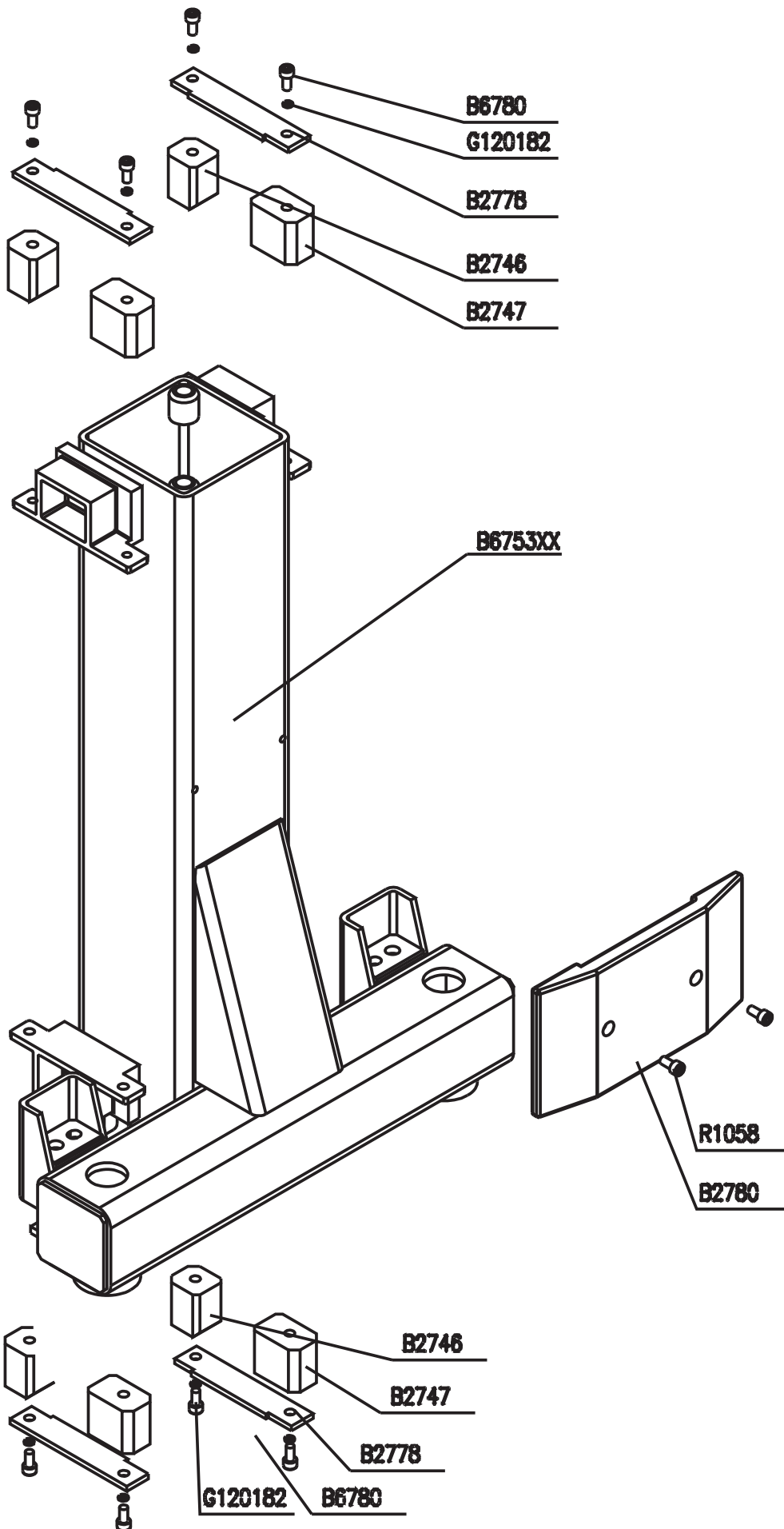
CARRELLO PRINCIPALE

MAIN CARRIAGE



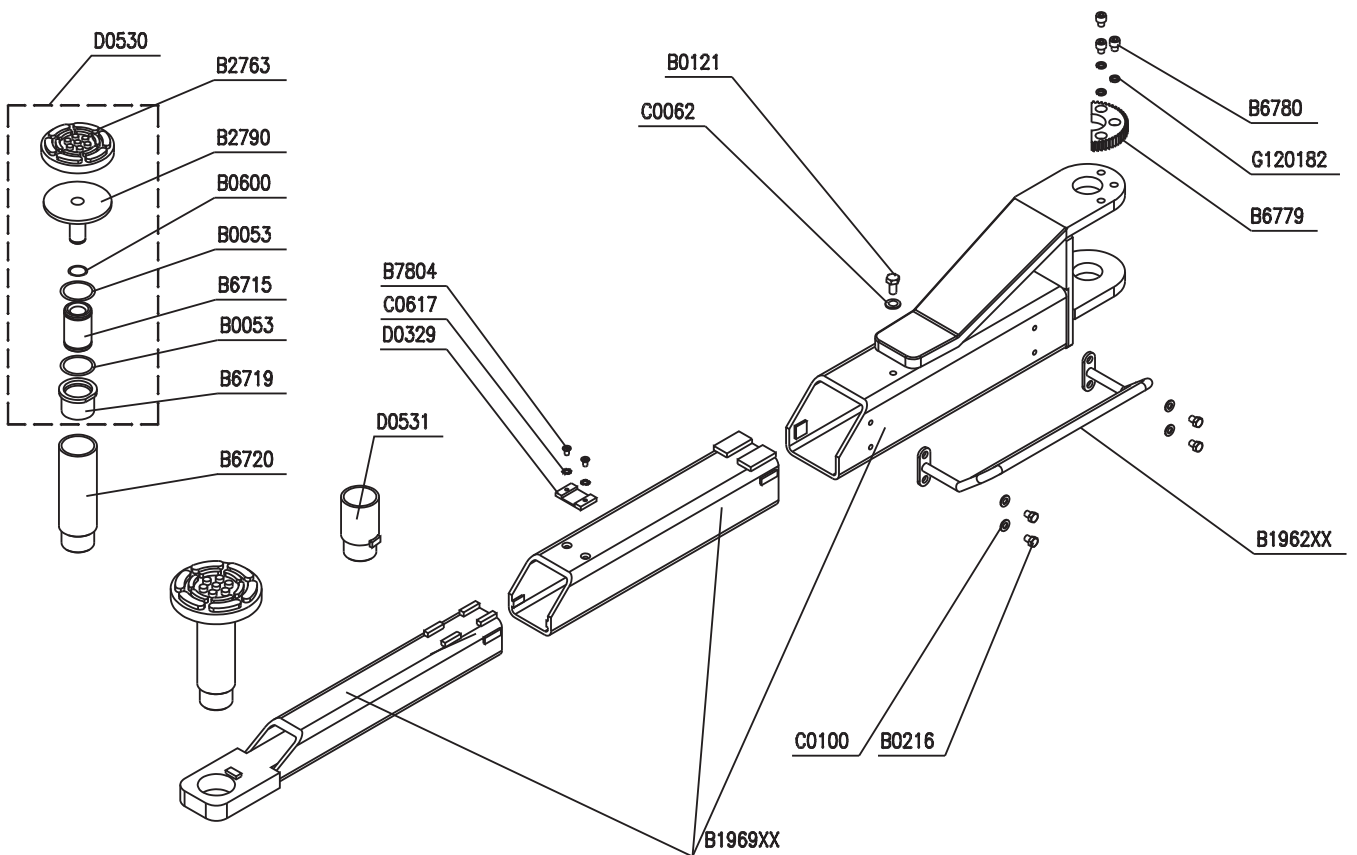
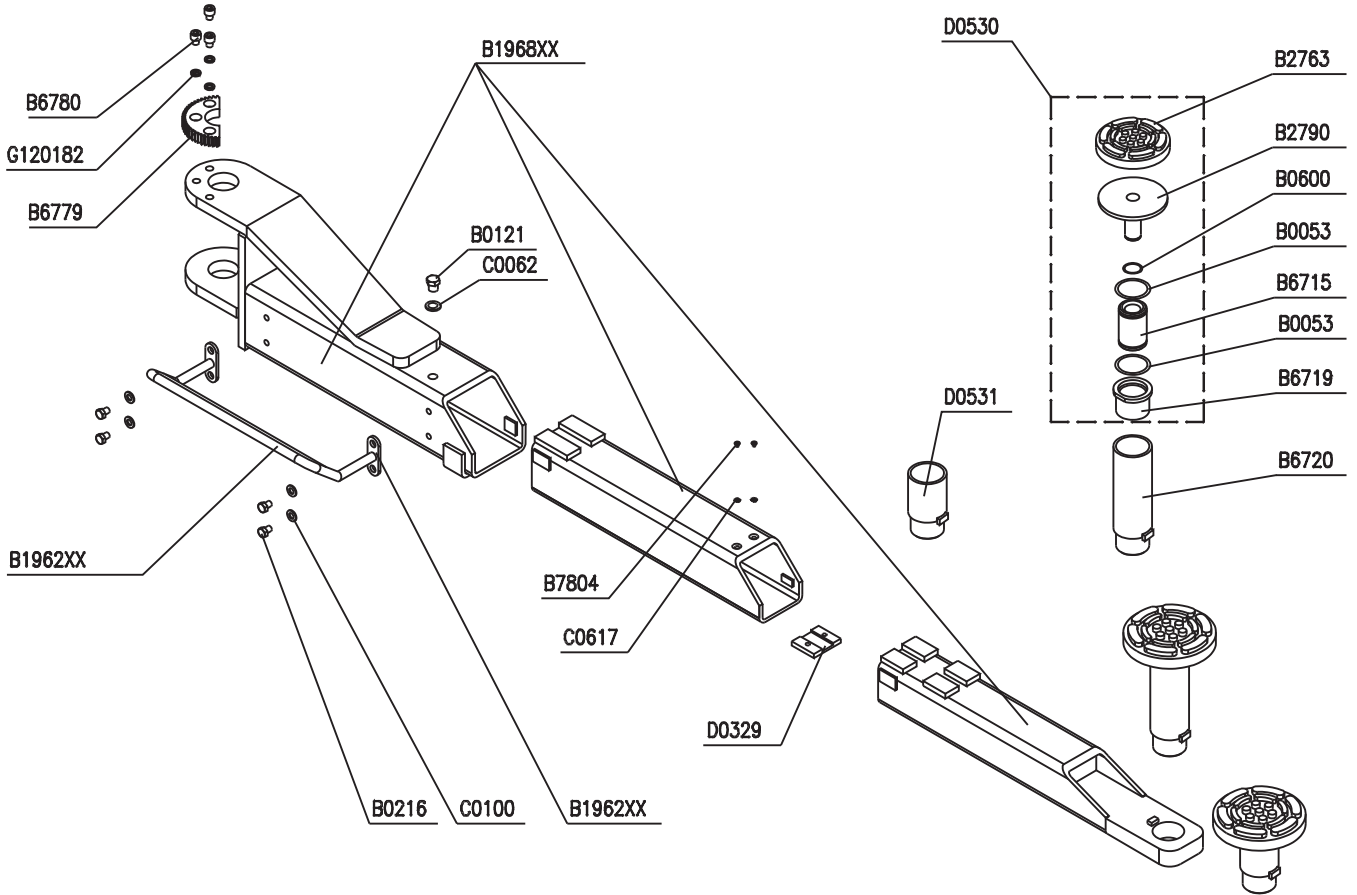
CARRELLO SECONDARIO

SUB CARRIAGE



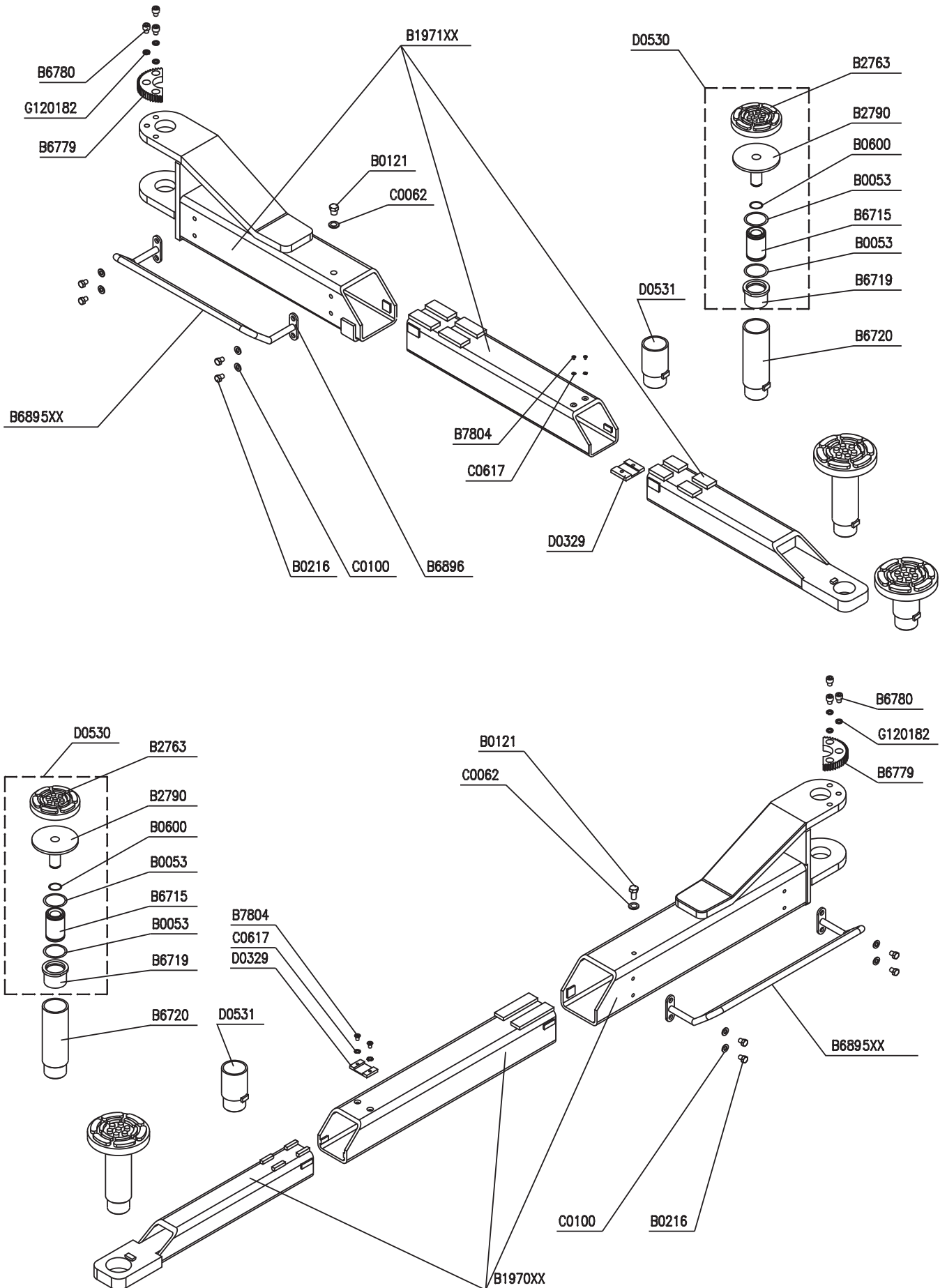
BRACCIO CORTO DX - SX

SHORT ARM



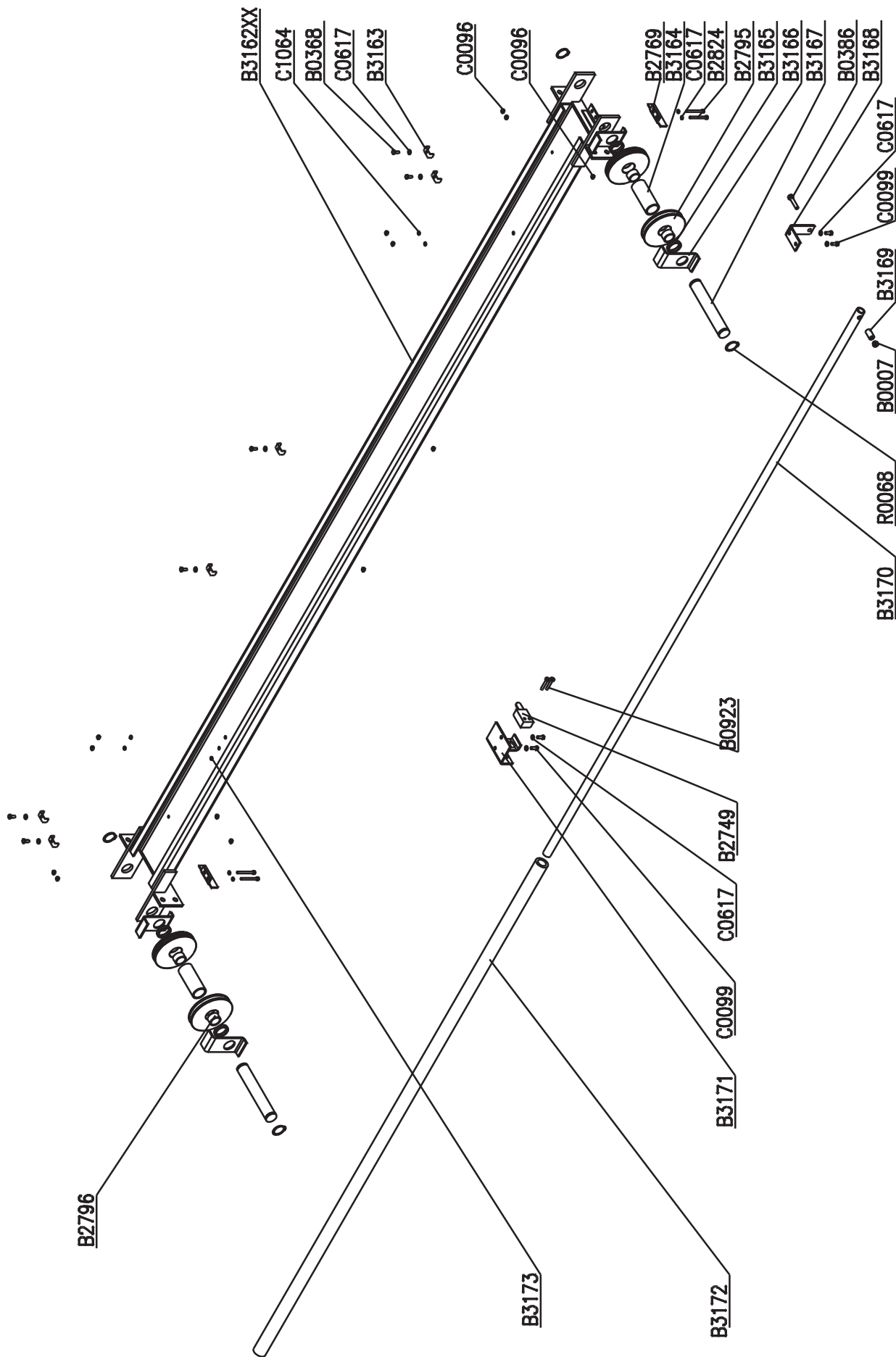
BRACCIO LUNGO DX - SX

LONG ARM



BARRA COLLEGAMENTO

BAR



| Part Code | Sugg | Descrizione | Description | Beschreibung | Description | Denominación |
|-----------|------|--|--|--|---|--|
| A0231 | | DADO ALTO M10 6S UNI 5587 ZB | NUT M10 | MUTTER M10 | ECROU HAUT M10 6S UNI 5587 ZB | TUERCA ALTA M10 ZINCADA |
| A0444 | | SEEGER E25 UNI 7435 | SEEGER E25 UNI 7435 | SEEGER E25 UNI 7435 | ANNEAU ÉLASTIQUE ØE 25 | ARO ELÁSTICO ØE 25 |
| A0745 | | VITE TCEI M6X12 UNI 5931 ZB | HEX. SOCKET HEAD SCREW M6X12 UNI 5931 ZB | VERZINKT ZYLINDERSCHRAUBE MIT INNENSECHSKANT M6X12 | VIS TCEI M6X12 GALVANISÉE | TORNILLO TCEI M6X12 UNI 5931 |
| A1420 | | VITE TE 6X12 UNI 5739 | SCREW 6X12 8.8 UNI 5739 | SCHRAUBE 6X12 8.8 | VIS TE 6X12 8.8 | TORNILLO |
| B0007 | | DADO M8 UNI 5587 | NUT M8 UNI 5587 | MUTTER M8 UNI 5587 | ÉCROU M8 UNI 5587 | TUERCA M8 UNI 5587 |
| B0053 | | SEEGER E40 UNI 7435 | SEEGER E40 UNI 7435 | SEEGER E40 UNI 7435 | BAGUES E40 UNI 7435 | ARO ELÁSTICO ØE 40 |
| B0091 | * | FUSIBILE 2A 10X38 | FUSE 10X38 2A | SCHMELZSICHERUNG 10X38 2A | FUSIBLE 10X38 2A | FUSIBILE 10X38 2A |
| B0121 | | VITE TE M10X12 UNI 5739 | SCREW TE M10X12 UNI 5739 | SECHSKANTSCHRAUBE M10X12 UNI 5739 | VIS TH M 10X12 UNI 5739 | TORNILLO M10X12 UNI 5739 |
| B0216 | | VITE TE M8X12 UNI 5739 ZB | SCREW TE M8X12 UNI 5739 | SCHRAUBE M8X12 UNI 5739 | VIS TH M8X12 UNI 5739 | TORNILLO TE M8X12 UNI5739 |
| B0368 | | VITE TE M6X30 UNI 5739 | SCREW TE M6X30 UNI 5739 | SECHSKANTSCHRAUBE M6X30 UNI 5739 | VIS TH M6X30 UNI 5739 | TORNILLO M6X30 UNI 5739 |
| B0370 | | RONDELLA Ø14X28 UNI 6592 | WASHER Ø14X28 UNI 6592 | SCHEIBE. Ø14X28 UNI 6592 | RONDELLE PLATE Ø14X28 UNI 6592 | ARANDELA Ø14 ZINCADA |
| B0386 | | VITE TE M8X40 UNI 5739 | SCREW M8X40 UNI 5739 | SECHSKANTSCHRAUBE M8X40 UNI 5739 | VIS TH M8X40 UNI 5739 | TORNILLO TE M8X40 UNI 5739 |
| B0600 | | SEEGER E28 UNI 7435 | SEEGER E28 UNI 7435 | SEEGER E28 UNI 7435 | BAGUES E285 UNI 7435 | ARO ELÁSTICO ØE 28 |
| B0923 | | VITE TCCR M4X30 UNI7687 | SCREW | SCHRAUBE | VIS | TORNILLO |
| B1962XX | | SALVAPIEDI BRACCIO CORTO 3SF 204I | ARMS FOOT GUARDS | FUSS-SCHUTZ | CHASSE-PIED | PROTECCIÓN PIES |
| B1968XX | | BRACCIO CORTO DX 3SF 204 | RIGHT SHORT ARM | KURZER ARM RS | BRAS COURT DROIT | BRAZO CORTO |
| B1969XX | | BRACCIO CORTO SX 3SF 204 | LEFT SHORT ARM | KURZER ARM RS | BRAS COURT GAUCHE | BRAZO CORTO |
| B1970XX | | BRACCIO LUNGO DX 3SF 204 | RIGHT LONG ARM | LANGER ARM RS | BRAS LONG DROIT | BRAZO LARGO DERECHO |
| B1971XX | | BRACCIO LUNGO SX 3SF 204 | LEFT LONG ARM | LANGER ARM LINKS | BRAS LONG GAUCHE | BRAZO LARGO IZQUIERDO |
| B2154 | * | TRASFORMATORE C.E. 230-400/24V 160VA 50/60HZ | TRANSFORMER C.E. 230-400/24V 160VA 50/60HZ | TRASFORMATOR C.E. 230-400/24V 160VA 50/60HZ | TRANSFORMATEUR C.E. 230-400/24V 160VA 50/60HZ | TRANSFORMADOR C.E. 230-400/24V 160VA 50/60HZ |
| B2725 | * | SOLENOIDE 209I/B | SOLENOID | SOLENOID | SOLÉNOÏDE | SOLENOIDE |
| B2735 | * | VALVOLA MAX 170BAR | MAX. PRESSURE VALVE 170BAR | UEBERDRUCKVENTIL 170BAR | CLAPET DE PRESSION MAX.170BAR | VALVULA DE MAXIMA PRESION 170BAR |
| B2736 | * | VALVOLA REG.DISCESA 209I/ | VALVE | | | |
| B2737 | * | VALVOLA DI RITEGNO 209I/ | CHECK VALVE | RUECKSCHLAGVENTIL | CLAPET ANTI-RETOUR | VALVULA DE NO RETROCESO |
| B2739 | | RONDELLA D.14 INT GOMMA 209I/ | COPPER WASHER | | | |
| B2740 | | PROLUNGA M-F 1/4X1,5 209I/ | CONNECTING JOINT | | | |
| B2743 | * | ELETTROVALVOLA 2NCP 209I/ | ELECTRO-VALVE | ELEKTROVENTIL | ELECTROVANNE | ELECTROVÁLVULA |
| B2746 | | PATTINO POSTERIORE NYLON 209I/ | BACKBLOCK | | | |
| B2747 | | PATTINO ANTERIORE NYLON 209I/ | FRONT BLOCK | GLEITSCHUH | PATIN | PATÍN |
| B2748 | * | PULSANTE SAL/DIS.209I/ | BUTTON | | | |
| B2749 | * | MICROINT.SALITA 209I/ | LIMIT SWITCH | | | |

| | | | | | | |
|---------|---|-----------------------------------|------------------------------------|----------------------|------------------------|-------------------------|
| B2753 | * | PULSANTE STAZIONAMENTO 209I/ | UNLOCKING BUTTON | | | |
| B2760 | * | CENTRALINA IDRAULICA 209I/ | HYDRAULIC UNIT | PUMPE | CENTRALE | CENTRALITA OLEODINÁMICA |
| B2763 | * | DISCO GOMMA 209I/ | RUBBER DISK | | | |
| B2764 | * | RADDRIZZATORE QUADRO 209I/ | RECTIFIER | | | |
| B2765 | * | TELERUT.QUADRO 209I/ | AC CONTACTOR | | | |
| B2766 | * | TIMER QUADRO 209I/ | TIME RELAY | RELAIS | RELAIS | RELÉ |
| B2767 | * | RELÈ TERMICO QUADRO 209I/ | CIRCUIT BREAKER | | | |
| B2768 | | TASSELLO SIC.MECCANICA 209I/ | | | | |
| B2769 | | SUPP.TENDINA SUPERIORE 209I/B | HANGING BOARD | | | |
| B2770 | | SUPP.TENDINA INFERIORE 209I/B | | | | |
| B2771 | | SICUREZZA MECCANICA 209I/ | HOOK | | | |
| B2778 | | PIASTRINA FERMA PATTINI 209I/ | PLATE FOR SLIDING PAD | | | |
| B2779 | | STAFFA ATTIVA FINECORSO CAR.209I/ | ACTIVE SWITCH BRACKET | | | |
| B2780 | | PARAURTI CARRELLO 209I/ | PROTECTION BOARD | | | |
| B2790 | | PIATTELLO PORTADIS.PF 209I/ 10 | BEARING | | | |
| B2792 | | CATENA CARRELLO 209I/ | CHAIN | | | |
| B2795 | | RULLO CATENA 209I/ | CHAIN ROLLER | | | |
| B2796 | | BOCCOLA RULLO CATENA 209I/ | COMPOSITE BUSH 3018 | | | |
| B2798 | * | O'RING 53X5,3 CIL.209I/ | O'RING 53X5,3 CIL.209I/ | | | |
| B2824 | | VITE TE M6X50 8.8 PF UNI 5737 ZB | SCREW 6X50 8.8 | SCHRAUBE 6X50 8.8 | VIS TH M 6X50 UNI 5737 | TORNILLO |
| B3125 | * | O'RING 25X2,65 CILINDRO 209I/ | O-RING GB/T3452.1 25X2.65 | | | |
| B3126 | | PERNO RULLO CATENA 209I/ | PIN | BOLZEN | AXE | PERNO |
| B3127 | | SUPPOR.RULLO X CATENA 209I/ | CHAIN SEAT | | | |
| B3130 | | PIASTRA QUADRO 209I/ | INSTALLING BOARD OF ELECTRICAL BOX | | | |
| B3131 | | QUADRO COM.CASSETTA EL.209I/ | ELECTRIC CONTROL PANEL | ELEKTRO-STEUERKASTEN | COFFRET ÉLECTRIQUE | CUADRO ELÉCTRICO |
| B3136 | | SUPPORTO SUP.QUADRO EL.209I/ | | | | |
| B3137 | * | RELÈ TERMICO QUADRO 204I/ | RELAY | RELAIS | RELAIS | RELÉ |
| B3143 | | VITE TCCE M5X16 UNI 5931 ZB | SCREW | SCHRAUBE | VIS | TORNILLO |
| B3147 | | RULLO CATENA PISTONE 204I 209I | | | | |
| B3148 | | BARRA OMEGA CASSETTA 204I 209I | | | | |
| B3149 | | MORSETTO QUADRO 204I 209I | | | | |
| B3150 | | MORSETTIERA QUADRO 204I 209I | | KOMPLETTER | | TABLERO DE BORNES |
| B3152 | | TASSELLO 140XM16 209I/ | | | | |
| B3156XX | | COLON.SERVIZ.COMP.209I/A | | | | |
| B3159 | * | FUNE 204I/A-209I/A | | | | |
| B3160 | | BARRA FINE CORSA 204I/A-209I/A | | | | |
| B3162XX | | TRAVERSA SUP.209I/A | | | | |

| | | | | | | |
|---------|---|----------------------------------|---|---------------------------------|---------------------------|-------------------------------|
| B3163 | | CLIP TRAVERSA 204I/A-209I/A | | | | |
| B3164 | | DISTANZ.RULLI TRAV.209I/A | | | | |
| B3165 | | DISTAN.CORTO RULLI TRAV.209I/A | | | | |
| B3166 | | ANTI SCARRUCOLAMENTO 209I/A | | | | |
| B3167 | | PERNO RULLI TRAV.209I/A | PIN | BOLZEN | AXE | PERNO |
| B3168 | | SUPP.BARRA FINE CORSA 209I/A | | | | |
| B3169 | | DISTANZ.BARRA FINE CORSA 209I/ | | | | |
| B3170 | | BARRA SICUREZZA 204I/A-209I/A | | | | |
| B3171 | | SUPP.MICRO BARRA SIC.209I/A | | | | |
| B3172 | | PROTEZ.BARRA FINE CORSA 209I/A | | | | |
| B3173 | | PROTEZ.CAVI BARRA F.COR.209I/A | | | | |
| B3177XX | | CARTER COLON.LO 209I/A | | | | |
| B3178XX | | COLON.LO 209I/A | | | | |
| B3179 | | TUBO IDRA.AP LO 209I/A | | | | |
| B3180 | | PROTEZ.CAVI INT.SUPER.209I/A | | | | |
| B3183 | | STAFF.FISS.CARTER 209I/A | BRACKET | KLAMMER | SUPPORT | SOPORTE |
| B3184 | * | TENDINA 209I/A | | | | |
| B3185 | | TUBO IDRA.AP LC 1 209I/A | | | | |
| B3186 | | TUBO IDRA.AP LC 2 209I/A | | | | |
| B3188XX | | CARTER COL.COM.SUP.209I/A | | | | |
| B3189 | | SUPPORTO QUADRO EL..209I/A | | | | |
| B3190XX | | CARTER COL.COM.INF.209I/A | | | | |
| B3192 | | RACCORDO IDRAUL.COL.CIL.209I/A | | | | |
| B3199 | | VITE FORATA CORTA TUBI 209I/B | SCREW | SCHRAUBE | VIS | TORNILLO |
| B4839 | | DADO MEDIO M5 UNI 5588 ZB | NUT M5 UNI 5588 | MITTLERE MUTTER M5 UNI 5588 | ÉCROU M5 UNI 5588 | TUERCA MEDIANA M5 UNI 5588 |
| B5005 | | VITE TE M10X25 UNI 5739 | SCREW TE M10 X 25 | SCHRAUBE TE M10 X 25 | VIS TH M10 X 25 | TORNILLO TE M10X25 |
| B5290 | * | FUSIBILE 10X38 6A AM | FUSE 10X38 6A AM | FUSE 10X38 6A AM | FUSIBLE 10X38 6A AM | FUSIBILE 10X38 6A AM |
| B5428 | | RONDELLA GROWER 8,4 UNI1751 ZB | GROWER | SCHEIBE | RONDELLE | ARANDELA |
| B5491 | | GIUNTO POMPA K3 | CONNECTING PUMP K3 | GELENK PUMPE K3 | ACCOUPLLEMENT DE POMPE K3 | ACOPLAMIENTO BOMBA K3 |
| B6394 | | VITE TBCE M6X8 UNI 7380 8.8 | SCREW | SCHRAUBE | VIS | TORNILLO |
| B6591 | * | MOTORE B14 MN 230V 50HZ 2,2KW-K3 | MOTOR B14 SINGLE PHASE 230V 50HZ 2,2KW-K3 | ELEKTRO-MOTOR B14 230/50M 2,2KW | MOTEUR B14 230/50M 2,2KW | MOTOR ELÉCTRICO 230/50M 2,2KW |
| B6715 | | PROLUNGA CENT.PIAT.209I/B /AUS | | | | |
| B6719 | | BOCCOLA PORTA PIATTELLO 209I | | | | |
| B6720 | | PROLUNGA INFER.PIAT.209I/A US | | | | |
| B6726XX | | SUPPORTO CENTRAL.209I/B | | | | |
| B6729 | * | GUARNIZ.LABBRO D1 48 CIL..209I/ | | | | |
| B6730 | | BARRA OMEGA CORTA QUADRO 209I | | | | |

| | | | | | | |
|---------|--|---|----------------------------|------------------|-------------------|-----------------------|
| B6731 | | VITE TCCR M5X8 UNI 7687 ZB | SCREW | SCHRAUBE | VIS | TORNILLO |
| B6732 | | VITE KTC TCTC 3,5X6,5 UNI 6954 | SCREW | SCHRAUBE | VIS | TORNILLO |
| B6733 | | PASSACAVO PG7 209I/ | | | | |
| B6734 | | CASSETTA EL.209I/ | | | | |
| B6735 | | PASSACAVO PG25 209I/ | | | | |
| B6736 | | PASSACAVO PG13,5 209I/ | | | | |
| B6738 | | PIASTRINA SERRAG.SERB.PVC 209/ | | | | |
| B6741 | | GUARNIZ.POMPA CENTRAL.209I/ | | | | |
| B6742 | | POMPA 7,8CC 209I/ | | | POMPE | BOMBA |
| B6743 | | FILTRO ASPIRAZIONE CENTR.209I/ | | | | |
| B6746XX | | TRAVERSA COMPL.204I/A | | | | |
| B6747XX | | COLON.COM.COMP.204I/A380V | | | | |
| B6748 | | TUBO IDRA.AP TRAV.SUP.204I/A | | | | |
| B6752XX | | CARRELLO LC 204I/A | | | | |
| B6753XX | | CARRELLO LO 204I/A | | | | |
| B6755XX | | PROLUNGA COL.SERV.204I/A | | | | |
| B6756XX | | COLON.COMAND.204I/A | | | | |
| B6757XX | | PROLUNGA COL.COMAN.204I/A | | | | |
| B6762 | | PROTEZ.CAVI INT.PROL.204I/A | | | | |
| B6767 | | GRANO M3X20 UNI 5927 | | | | |
| B6768 | | KIT BLOCC.BRACC.204I/A | | | | |
| B6769 | | POMELLO BLOCC.BRACC.204I/A | | | | |
| B6771 | | SPINA BRACCI 204I/A | | | | |
| B6773 | | DISTAN.SPINA BRACCI 204I/A | | | | |
| B6774 | | MOLLA BLOCC.BRACCI 204I/A ZB | ARMS LOCKING SPRING SPRING | FEDER | RESSORT | MUELLE |
| B6779 | | SETTORE DENTATO BRACCI 204I/B | | | | |
| B6780 | | VITE TCCE M10X12 UNI 5931 ZB | SCREW | SCHRAUBE | VIS | TORNILLO |
| B6881 | | INTERRUT.GEN.209I/ TR '10 | | | | |
| B6882 | | INTERRUT.GEN.204I/ MN '10 | | | | |
| B6887XX | | BRACCIO CORTO DX 3SFILI COMP.204 | RIGHT SHORT ARM | KURZER ARM RS | BRAS COURT DROIT | BRAZO CORTO |
| B6888XX | | BRACCIO CORTO SX 3SFILI COMP.204 | LEFT SHORT ARM | KURZER ARM RS | BRAS COURT GAUCHE | BRAZO CORTO |
| B6889XX | | BRACCIO LUNGO DX 3SFILI COMP.204 | RIGHT LONG ARM | LANGER ARM RS | BRAS LONG DROIT | BRAZO LARGO DERECHO |
| B6890XX | | BRACCIO LUNGO SX 3SFILI COMP.204 | LEFT LONG ARM | LANGER ARM LINKS | BRAS LONG GAUCHE | BRAZO LARGO IZQUIERDO |
| B6896 | | SALVAPIEDI BRACCIO CORTO 3SF 204FFB ZG | ARMS FOOT GUARDS | FUSS-SCHUTZ | CHASSE-PIED | PROTECCIÓN PIES |
| B7804 | | VITE TSCE900M6X10 UNI 5933 ZB | SCREW | SCHRAUBE | VIS | TORNILLO |
| C0037 | | VITE TCEI M6X20 UNI 5931 ZB | SCREW TCEI 6X20 | SCHRAUBE M6X20 | VIS TCEI M6X20 | TORNILLO TCEI M6X20 |

| | | | | | | |
|-----------|--|-----------------------------------|-----------------------------|----------------------------------|------------------------------------|-------------------------------|
| C0061 | | VITE TE M8X10 UNI 5739 | SCREW TE M8X10 UNI 5739 | SECHSKANTSCHRAUBE M8X10 UNI 5739 | VIS TH M8X10 UNI 5739 | TORNILLO M8X10 UNI 5739 |
| C0062 | | RONDELLA Ø10,5X21 UNI 6592 | WASHER Ø10,5X21 UNI 6592 | SCHEIBE Ø10,5X21 | RONDELLE Ø10,5X21 | ARANDELA PLANA Ø10 5X21 |
| C0096 | | DADO BASSO M6 UNI 5589 ZB | NUT M6 UNI 5587 | MUTTER M6 UNI 5587 | ECROU M6 UNI 5587 | TUERCA BAJA M6 UNI 5587 |
| C0099 | | VITE TE 6X20 8.8 UNI 5739 | SCREW M6X20 - 8.8 | SCHRAUBE M6X20 8.8 | VIS TH M6 X 20 UNI 5739 | TORNILLO TE M6X20 UNI 5739 |
| C0100 | | RONDELLA Ø8,4X17 UNI 6592 | WASHER Ø8,4X17 UNI 6592 | SCHEIBE Ø8,4X17 UNI 6592 | RONDELLE Ø8,4X17 UNI 6592 | ARANDELA Ø8 ZINCADA |
| C0300 | | VITE TCTC M4X16 UNI 6107 ZB | SCREW | SCHRAUBE | VIS | TORNILLO |
| C0362 | | VITE TCTCROCE M4X10 UNI 7687 ZB | SCREW TCTCR M4X10 UNI 7687 | SCHRAUBE M4X10 UNI 7687 | VIS M4X10 UNI 7687 | TORNILLO |
| C0535 | | VITE TE M10X20 UNI 5739 | HH SCREW M10X20 UNI 5739 | SCHRAUBE TE M10X20 UNI 5739 | VIS TE M10X20 UNI 5739 | TORNILLO M10X20 UNI 5739 |
| C0617 | | RONDELLA Ø6,4X12,5 UNI 6592 | WASHER Ø6,4X12,5 UNI 6592 | SCHEIBE Ø6,4X12,5 UNI 6592 | RONDELLE Ø6,4X12,5 UNI 6592 | ARANDELA Ø6,4X12,5 UNI6592 |
| C0630 | | RONDELLA IN RAME Ø14X20 | COPPER WASHER Ø14X20 | MUTTER M10 UNI 5588 | ECROU M10 UNI 5588 | TUERCA |
| C0941 | | VITE TCTCROCE M4X8 UNI 7687 ZB | SCREW | SCHRAUBE | VIS | TORNILLO |
| C1064 | | RONDELLA GROWER 6,4 UNI 1751 ZB | WASHER | SCHEIBE | RONDELLE | ARANDELA |
| D0329 | | SPESSORE BRACCI 3SFIL.204 | SPACER | DISTANZSTUECK | CALE | CALZO |
| D0407 | | CILINDRO IDRAUL.COMPL.209I/ '12 | | | | |
| D0408 | | GUARNIZ.CIL.209I/ '12 | | | | |
| D0409 | | PISTONE CILINDRO 209I/ '12 | | | | |
| D0410 | | STELO CILINDO 204I/-209I/ '12 | | | | |
| D0411 | | ANELLO SCHERMAT.CIL.209I/ '12 | | | | |
| D0412 | | O'RING CILINDRO 209I/ '12 | | | | |
| D0413 | | RASCHIATORE CIL.209I/ '12 | | | | |
| D0414 | | TESTATA CILINDRO 209I/ '12 | | | | |
| D0415 | | SEEGER 209I/ '12 | | | | |
| D0416 | | CANNA CIL.204I/ 209I/ '12 | | | | |
| D0530 | | PIATTELLO COMPLETO 204I-209I | | | | |
| D0531 | | PROLUNGA PIATT.H=80 209I | | | | |
| D1465 | | MOTORE 400/50TR 2,2KW 204I/3SF'14 | ELECTRIC MOTOR | ELEKTRO-MOTOR | MOTEUR ÉLECTRIQUE | MOTOR ELÉCTRICO |
| D1466 | | GIUNTO MOTORE-CENTRAL.204I/3SF | MOTOR COUPLING | KUPPLUNG | ACCOUPLLEMENT MOTEUR | UNIÓN |
| D1467 | | KIT BLOCC.BRACCI 204I/3SF '14 | ARMS BLOCKING KIT | AUSLEGERBLOCKUNGSSET | KIT BLOCAGE DE BRAS | JUEGO BLOCAJE MECANICO |
| G120182 | | RONDELLA GROVER D 10 GAMMA | WASHER D10 | SCHEIBE D10 | RONDELLE D10 | ARANDELA D10 |
| R0068 | | SEEGER E30 UNI 7435 | SNAP RING E30 UNI 7435 | SEEGER E30 UNI 7435 | ANNEAU DE FIXAGE E30 UNI 7435 | SEEGER E30 UNI 7435 |
| R0153 | | VITE TE M8X25 UNI 5739 | HH SCREW M8X25 UNI 5739 | SECHSKANTSCHRAUBE M8X25 UNI 5739 | VIS TH M8X25 UNI 5739 | TORNILLO TE M6X25 UNI5739 |
| R1058 | | VITE TCCE M8X16 UNI 5931 ZB | SCREW | SCHRAUBE | VIS | TORNILLO |
| S3008 | | DADO MEDIO M4 UNI 5588 ZB | NUT M4 UNI 5588 ZB | MITTLERE MUTTER M4 UNI 5588 ZB | ÉCROU M4 UNI 5588 ZB | TUERCA MEDIANA M4 UNI 5588 ZB |
| Z_RICAMBI | | * = RICAMBI CONSIGLIATI | * = RECOMMENDED SPARE PARTS | * = EMPFOHLENE E-TEILE | * = PIECES DE RECHANGE CONSEILLEES | * = REPUESTOS ACONSEJAIOS |



Dichiarazione di conformità - Déclaration de conformité
 Declaration of Conformity - Konformitätserklärung
 Declaración de conformidad - Overensstemmelseserklæring
 Överensstämmande intyg - EG-Conformiteitsverklaring



WERTHER INTERNATIONAL S.p.A.
 Via F.Brunelleschi, 12 42124 CADE' (Reggio Emilia) Italy
 Tel.++/+522/9431 (r.a.) Fax ++/+522/941997

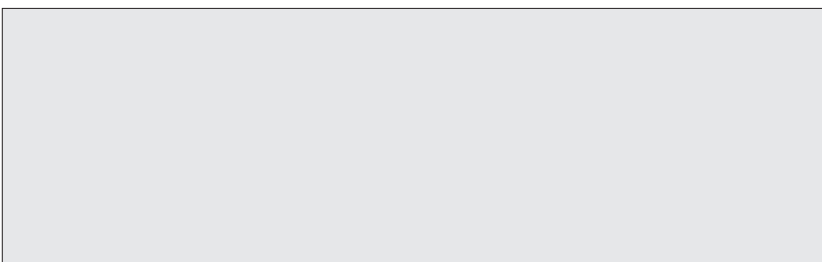
| | |
|---|---|
| dichiaro che il ponte sollevatore modello | declara, que l'elevador modelo |
| déclare que le pont elevator modèle | Vi erklærer hermed, at autoløfter model |
| hereby we declare that the lift model | Vi förklarar härmed att billyft model |
| hiermit erkläre wir, daß die Hebebühne Type | verklaren hiermee, dat |

204I/A 3SF

| | | | |
|-----------|--|--|-----------|
| I | è stato costruito in conformità alle direttive 2004/108/CE - 2006/42/CE - 2006/95/CE e EN1493-2010 | ha sido fabricado según las directivas 2004/108/CE - 2006/42/CE - 2006/95/CE y EN1493-2010 | E |
| F | a été construite en conformité avec les directives 2004/108/CE - 2006/42/CE - 2006/95/CE et EN1493-2010 | er fremstillet i overensstemmelse med bestemmelserne i 2004/108/EØF - 2006/42/EØF - 2006/95/EØF- EN1493-2010 | DK |
| GB | has been manufactured in conformity with the directives 2004/108/CE - 2006/42/CE - 2006/95/CE and EN1493-2010 | är framställt i överensstämmelse med bestämmelser i RÅDETS DIREKTIV 2004/108/CE - 2006/42/CE - 2006/95/CE - EN1493-2010 | S |
| D | in Übereinstimmung mit den Richtlinien 2004/108/CE - 2006/42/CE - 2006/95/CE und EN1493-2010 hergestellt worden ist. | Producten zijn gefabriceerd in overeenstemming met de richtlijn 2004/108/CE - 2006/42/CE - 2006/95/CE en de daarop volgende veranderingen en aanvullingen en EN1493-2010 | NL |
| PL | został wyprodukowany zgodnie z zasadami dokumentów 2004/108/CE - 2006/42/CE - 2006/95/CE oraz EN1493-2010 | | |

Matricola N° - N° de série -
 Serial N° - Maschinenummer

Fascicolo tecnico - Dossier technique
 Technical file - Techn. Dokumentation



WERATHER INTERNATIONAL S.p.A.
 Via F.Brunelleschi,12
 42124 CADE' (Reggio Emilia) Italy

Ente certificatore - Organisme certificateur
 Notified body - Prüfsinstitut

Registrazione Nr. - Enregistrement N°
 Registered No. - Zertifikatnummer

CEM INTERNATIONAL LTD
 The Atrium Business Centre Curtis
 Road Dorking Surrey RH4 1XA UK

C-1771-09-01-A-M

Cadè, 18/02/2013

Vice president Iori Werter