

# KPS224 HE-HEK-HER KPS234 HE-HEK-HELIK KPS244 HE-HEK-HELIK

CATALOGO RICAMBI  
SPARE PARTS CATALOGUE  
ERSATZTEILVERZEICHNIS  
CATALOGUE PIECES DE RECHANGE  
CATÁLOGO DE RECAMBIOS

0472-R012-7



**Manuale valido  
per i seguenti modelli:**

KPS224HE  
KPS224HER  
KPS224HEK  
KPS234HE  
KPS234HEK  
KPS234HELIK  
KPS244HE  
KPS244HEK  
KPS244HELIK

Redatto da st. gf. Andrea Zuffa

| COMPOSIZIONE DEL<br>MANUALE          | COMPOSITION OF<br>MANUAL            | ZUSAMMENSETZUNG<br>DER ANLEITUNG | COMPOSITION DE LA<br>NOTICE                    | COMPOSICIÓN DEL<br>MANUALE              |
|--------------------------------------|-------------------------------------|----------------------------------|--|---|
| 80 pagine<br>(comprese le copertine) | 80 pages<br>(including cover pages) | 80 Seiten<br>(inkl. Deckblätter) | 80 pages<br>(pages de la couverture<br>inclus) | 80 páginas<br>(incluidas las cubiertas) |

- Per eventuali chiarimenti interpellare il più vicino rivenditore oppure rivolgersi direttamente a  
Servizio assistenza tecnica: **RAVAGLIOLI S.p.A.** - Via 1° Maggio, 3 - 40037 Pontecchio Marconi - Bologna Italia  
Tel. (+39) 051 6781511 - Telex 510697 RAV I - Fax (+39) 051 846349 - e-mail: aftersales@ravaglioli.com

- For any further information please contact your nearest dealer or speak directly to  
Technical services: **RAVAGLIOLI S.p.A.** - Via 1° Maggio, 3 - 40037 Pontecchio Marconi - Bologna Italy  
Phone (+39) 051 6781511 - Telex 510697 RAV I - Fax (+39) 051 846349 - e-mail: aftersales@ravaglioli.com

- Im Zweifelsfall oder bei Rückfragen wenden Sie sich bitte an den nächsten Händler oder direkt an:  
Kundendienst: **RAVAGLIOLI S.p.A.** - Via 1° Maggio 3, 40037 Pontecchio Marconi - Bologna - Italien  
Telefon (+39) 051 6781511 - Telex 510697 RAV I - Fax (+39) 051 846349 - e-mail: aftersales@ravaglioli.com

- Pour tout renseignement complémentaire, s'adresser au distributeur le plus proche ou directement à:  
Service Après-Vente: **RAVAGLIOLI S.p.A.** - via 1° Maggio 3 - 40037 - Pontecchio Marconi - Bologne - Italie  
Tél. (+39) 051 6781511 - Télex 510697 RAV I - Fax (+39) 051 846349 - e-mail: aftersales@ravaglioli.com

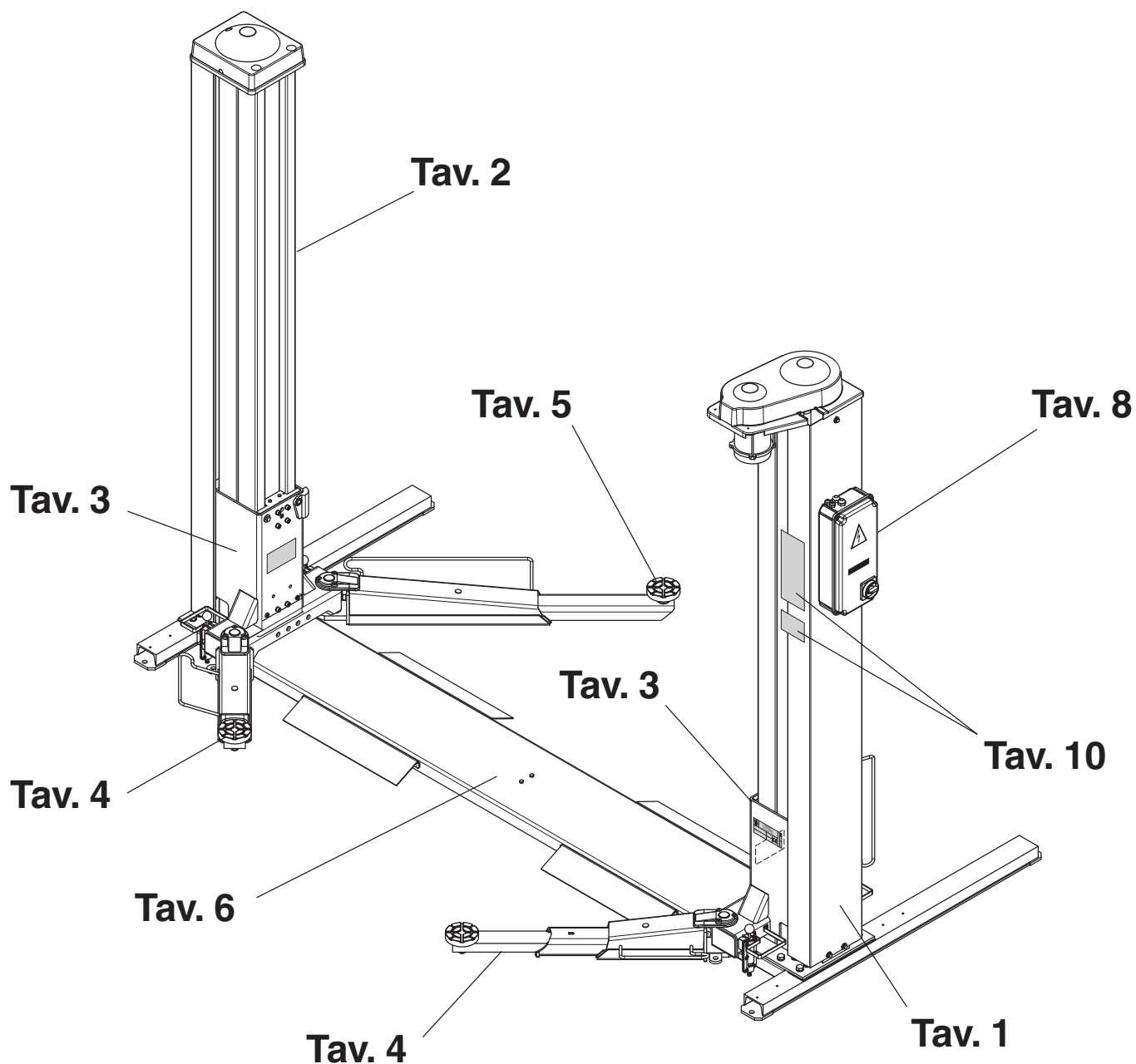
- En caso de dudas, para eventuales aclaraciones, póngase en contacto con el distribuidor más próximo o diríjase directamente a:  
Servicio Post-Venta: **RAVAGLIOLI S.p.A.** - Via 1° Maggio, 3 - 40037 Pontecchio Marconi - Bologna - Italia  
Tel. (+39) 051 6781511 - Telex 510697 RAV I - Fax (+39) 051 846349 - e-mail: aftersales@ravaglioli.com

## INDICE FIGURATO

## ILLUSTRATED SUMMARY

La consultazione dell'indice figurato e dell'indice delle tavole qui di seguito riportato, permette una rapida individuazione dei principali gruppi che costituiscono le macchine e delle relative tavole per l'ordinazione delle parti di ricambio.

The figure and the following summary allow quick identification of machine main units and relevant tables for ordering spare parts.



## INDICE DELLE TAVOLE – INDEX OF SPARE PARTS TABLES

| <b>COLONNA COMANDO<br/>CONTROL COLUMN</b>              |   |  | <b>Valida per i modelli<br/>Apply to models</b>                       |               |               |              |               |                 |              |               |                 |
|--|---|--|---|---------------|---------------|--------------|---------------|-----------------|--------------|---------------|-----------------|
| n° tavola /<br>ind. mod.<br>Table no /<br>change index | Data ultimo<br>aggiornamento.<br>Latest revision<br>made on | N° modifica<br>tecnica<br>Technical<br>change on | KPS224<br>HE  | KPS224<br>HER | KPS224<br>HEK | KPS234<br>HE | KPS234<br>HEK | KPS234<br>HELIK | KPS244<br>HE | KPS244<br>HEK | KPS244<br>HELIK |
|  |   |  | <b>Matricola di cui è valida la tavola – Starting from serial no.</b> |               |               |              |               |                 |              |               |                 |
| <b>1/0</b>   | 04-06   | /  | 001   | 001           | 001           | 001          | 001           | 001             | NA           | NA            | NA              |
| <b>1/1</b>   | 02-10   | Emiss. 3033                                      | NA  | NA            | NA            | ...          | ...           | ...             | NA           | NA            | NA              |
| <b>1/1</b>   | 07-10   | 6792   | NA  | NA            | NA            | ...          | ...           | ...             | NA           | NA            | NA              |
|  |   |  |   |               |               |              |               |                 |              |               |                 |
|  |   |  |   |               |               |              |               |                 |              |               |                 |
|  |   |  |   |               |               |              |               |                 |              |               |                 |

| <b>COLONNA COMANDO<br/>CONTROL COLUMN</b>              |   |  | <b>Valida per i modelli<br/>Apply to models</b>                       |               |               |              |               |                 |              |               |                 |
|--|---|--|---|---------------|---------------|--------------|---------------|-----------------|--------------|---------------|-----------------|
| n° tavola /<br>ind. mod.<br>Table no /<br>change index | Data ultimo<br>aggiornamento.<br>Latest revision<br>made on | N° modifica<br>tecnica<br>Technical<br>change on | KPS224<br>HE  | KPS224<br>HER | KPS224<br>HEK | KPS234<br>HE | KPS234<br>HEK | KPS234<br>HELIK | KPS244<br>HE | KPS244<br>HEK | KPS244<br>HELIK |
|  |   |  | <b>Matricola di cui è valida la tavola – Starting from serial no.</b> |               |               |              |               |                 |              |               |                 |
| <b>1A/0</b>  | 07-10   | Emiss. 3073                                      | NA  | NA            | NA            | NA           | NA            | NA              | 001          | 001           | 001             |
|  |   |  |   |               |               |              |               |                 |              |               |                 |
|  |   |  |   |               |               |              |               |                 |              |               |                 |
|  |   |  |   |               |               |              |               |                 |              |               |                 |

| <b>COLONNA OPPOSTA<br/>OPPOSITE COLUMN</b>             |   |  | <b>Valida per i modelli<br/>Apply to models</b>                       |               |               |              |               |                 |              |               |                 |
|--|---|--|---|---------------|---------------|--------------|---------------|-----------------|--------------|---------------|-----------------|
| n° tavola /<br>ind. mod.<br>Table no /<br>change index | Data ultimo<br>aggiornamento.<br>Latest revision<br>made on | N° modifica<br>tecnica<br>Technical<br>change on | KPS224<br>HE  | KPS224<br>HER | KPS224<br>HEK | KPS234<br>HE | KPS234<br>HEK | KPS234<br>HELIK | KPS244<br>HE | KPS244<br>HEK | KPS244<br>HELIK |
|  |   |  | <b>Matricola di cui è valida la tavola – Starting from serial no.</b> |               |               |              |               |                 |              |               |                 |
| <b>2A/0</b>  | 04-06   | /  | 001   | 001           | 001           | NA           | NA            | NA              | NA           | NA            | NA              |
|  |   |  |   |               |               |              |               |                 |              |               |                 |
|  |   |  |   |               |               |              |               |                 |              |               |                 |
|  |   |  |   |               |               |              |               |                 |              |               |                 |

| <b>COLONNA OPPOSTA<br/>OPPOSITE COLUMN</b>             |   |  | <b>Valida per i modelli<br/>Apply to models</b>                       |               |               |              |               |                 |              |               |                 |
|--|---|--|---|---------------|---------------|--------------|---------------|-----------------|--------------|---------------|-----------------|
| n° tavola /<br>ind. mod.<br>Table no /<br>change index | Data ultimo<br>aggiornamento.<br>Latest revision<br>made on | N° modifica<br>tecnica<br>Technical<br>change on | KPS224<br>HE  | KPS224<br>HER | KPS224<br>HEK | KPS234<br>HE | KPS234<br>HEK | KPS234<br>HELIK | KPS244<br>HE | KPS244<br>HEK | KPS244<br>HELIK |
|  |   |  | <b>Matricola di cui è valida la tavola – Starting from serial no.</b> |               |               |              |               |                 |              |               |                 |
| <b>2B/0</b>  | 04-06   | /  | NA  | NA            | NA            | 001          | 001           | 001             | NA           | NA            | NA              |
| <b>2B/1</b>  | 02-10   | Emiss. 3033                                      | NA  | NA            | NA            | ...          | ...           | ...             | NA           | NA            | NA              |
| <b>2B/1</b>  | 07-10   | 6792   | NA  | NA            | NA            | ...          | ...           | ...             | NA           | NA            | NA              |
|  |   |  |   |               |               |              |               |                 |              |               |                 |
|  |   |  |   |               |               |              |               |                 |              |               |                 |
|  |   |  |   |               |               |              |               |                 |              |               |                 |

| <b>COLONNA OPPOSTA<br/>OPPOSITE COLUMN</b>             |   |  | <b>Valida per i modelli<br/>Apply to models</b>                       |               |               |              |               |                 |              |               |                 |
|--|---|--|---|---------------|---------------|--------------|---------------|-----------------|--------------|---------------|-----------------|
| n° tavola /<br>ind. mod.<br>Table no /<br>change index | Data ultimo<br>aggiornamento.<br>Latest revision<br>made on | N° modifica<br>tecnica<br>Technical<br>change on | KPS224<br>HE  | KPS224<br>HER | KPS224<br>HEK | KPS234<br>HE | KPS234<br>HEK | KPS234<br>HELIK | KPS244<br>HE | KPS244<br>HEK | KPS244<br>HELIK |
|  |   |  | <b>Matricola di cui è valida la tavola – Starting from serial no.</b> |               |               |              |               |                 |              |               |                 |
| <b>2C/0</b>  | 07-10   | Emiss. 3073                                      | NA  | NA            | NA            | NA           | NA            | NA              | 001          | 001           | 001             |
|  |   |  |   |               |               |              |               |                 |              |               |                 |
|  |   |  |   |               |               |              |               |                 |              |               |                 |
|  |   |  |   |               |               |              |               |                 |              |               |                 |

## INDICE DELLE TAVOLE – INDEX OF SPARE PARTS TABLES

| <b>CARRELLO<br/>CARRIAGE</b>                                   |   |  | <b>Valida per i modelli<br/>Apply to models</b>                       |               |               |              |               |                 |              |               |                 |
|--|---|--|---|---------------|---------------|--------------|---------------|-----------------|--------------|---------------|-----------------|
| n° tavola /<br>ind. mod.<br><i>Table no /<br/>change index</i> | Data ultimo<br>aggiornamento.<br><i>Latest revision<br/>made on</i> | N° modifica<br>tecnica<br><i>Technical<br/>change on</i> | KPS224<br>HE  | KPS224<br>HER | KPS224<br>HEK | KPS234<br>HE | KPS234<br>HEK | KPS234<br>HELIK | KPS244<br>HE | KPS244<br>HEK | KPS244<br>HELIK |
|  |   |  | <b>Matricola di cui è valida la tavola – Starting from serial no.</b> |               |               |              |               |                 |              |               |                 |
| <b>3/0</b>   | 04-06   | /  | 001   | 001           | 001           | 001          | 001           | 001             | NA           | NA            | NA              |
| <b>3/1</b>   | 02-10   | Emiss. 3033  | NA  | NA            | NA            | ...          | ...           | ...             | NA           | NA            | NA              |
| <b>3/1</b>   | 07-10   | Emiss. 3073  | NA  | NA            | NA            | ...          | ...           | ...             | 001          | 001           | 001             |
| <b>3/2</b>   | 09-11   | Emiss. 3293  | NA  | NA            | NA            | ...          | ...           | NA              | ...          | ...           | ...             |
|  |   |  |   |               |               |              |               |                 |              |               |                 |
|  |   |  |   |               |               |              |               |                 |              |               |                 |

| <b>BRACCI CORTI H<br/>SHORT ARMS H</b>                         |   |  | <b>Valida per i modelli<br/>Apply to models</b>                       |               |               |              |               |                 |              |               |                 |
|--|---|--|---|---------------|---------------|--------------|---------------|-----------------|--------------|---------------|-----------------|
| n° tavola /<br>ind. mod.<br><i>Table no /<br/>change index</i> | Data ultimo<br>aggiornamento.<br><i>Latest revision<br/>made on</i> | N° modifica<br>tecnica<br><i>Technical<br/>change on</i> | KPS224<br>HE  | KPS224<br>HER | KPS224<br>HEK | KPS234<br>HE | KPS234<br>HEK | KPS234<br>HELIK | KPS244<br>HE | KPS244<br>HEK | KPS244<br>HELIK |
|  |   |  | <b>Matricola di cui è valida la tavola – Starting from serial no.</b> |               |               |              |               |                 |              |               |                 |
| <b>4A/0</b>  | 04-06   | /  | 001   | NA            | NA            | 001          | NA            | NA              | NA           | NA            | NA              |
| <b>4A/0</b>  | 07-10   | Emiss. 3073  | ...   | NA            | NA            | ...          | NA            | NA              | 001          | NA            | NA              |
| <b>4A/1</b>  | 09-11   | Emiss. 3293  | NA  | NA            | NA            | ...          | NA            | NA              | ...          | NA            | NA              |
|  |   |  |   |               |               |              |               |                 |              |               |                 |
|  |   |  |   |               |               |              |               |                 |              |               |                 |

| <b>BRACCI CORTI HK<br/>SHORT ARMS HK</b>                       |   |  | <b>Valida per i modelli<br/>Apply to models</b>                       |               |               |              |               |                 |              |               |                 |
|--|---|--|---|---------------|---------------|--------------|---------------|-----------------|--------------|---------------|-----------------|
| n° tavola /<br>ind. mod.<br><i>Table no /<br/>change index</i> | Data ultimo<br>aggiornamento.<br><i>Latest revision<br/>made on</i> | N° modifica<br>tecnica<br><i>Technical<br/>change on</i> | KPS224<br>HE  | KPS224<br>HER | KPS224<br>HEK | KPS234<br>HE | KPS234<br>HEK | KPS234<br>HELIK | KPS244<br>HE | KPS244<br>HEK | KPS244<br>HELIK |
|  |   |  | <b>Matricola di cui è valida la tavola – Starting from serial no.</b> |               |               |              |               |                 |              |               |                 |
| <b>4B/0</b>  | 04-06   | /  | NA  | NA            | 001           | NA           | 001           | NA              | NA           | NA            | NA              |
| <b>4B/0</b>  | 07-10   | Emiss. 3073  | NA  | NA            | ...           | NA           | ...           | NA              | NA           | 001           | NA              |
| <b>4B/1</b>  | 09-11   | Emiss. 3293  | NA  | NA            | NA            | NA           | ...           | NA              | NA           | ...           | NA              |
|  |   |  |   |               |               |              |               |                 |              |               |                 |
|  |   |  |   |               |               |              |               |                 |              |               |                 |

| <b>BRACCI CORTI HR<br/>SHORT ARMS HR</b>                       |   |  | <b>Valida per i modelli<br/>Apply to models</b>                       |               |               |              |               |                 |              |               |                 |
|--|---|--|---|---------------|---------------|--------------|---------------|-----------------|--------------|---------------|-----------------|
| n° tavola /<br>ind. mod.<br><i>Table no /<br/>change index</i> | Data ultimo<br>aggiornamento.<br><i>Latest revision<br/>made on</i> | N° modifica<br>tecnica<br><i>Technical<br/>change on</i> | KPS224<br>HE  | KPS224<br>HER | KPS224<br>HEK | KPS234<br>HE | KPS234<br>HEK | KPS234<br>HELIK | KPS244<br>HE | KPS244<br>HEK | KPS244<br>HELIK |
|  |   |  | <b>Matricola di cui è valida la tavola – Starting from serial no.</b> |               |               |              |               |                 |              |               |                 |
| <b>4C/0</b>  | 04-06   | /  | NA  | 001           | NA            | NA           | NA            | NA              | NA           | NA            | NA              |
|  |   |  |   |               |               |              |               |                 |              |               |                 |
|  |   |  |   |               |               |              |               |                 |              |               |                 |

## INDICE DELLE TAVOLE – INDEX OF SPARE PARTS TABLES

| <b>BRACCI HLIK<br/>ARMS HLIK</b>                                      |   |  | <b>Valida per i modelli<br/>Apply to models</b> |               |               |              |               |                 |              |               |                 |
|---|---|--|---|---------------|---------------|--------------|---------------|-----------------|--------------|---------------|-----------------|
| n° tavola /<br>ind. mod.<br><i>Table no /<br/>change index</i>        | Data ultimo<br>aggiornamento.<br><i>Latest revision<br/>made on</i> | N° modifica<br>tecnica<br><i>Technical<br/>change on</i> | KPS224<br>HE                                    | KPS224<br>HER | KPS224<br>HEK | KPS234<br>HE | KPS234<br>HEK | KPS234<br>HELIK | KPS244<br>HE | KPS244<br>HEK | KPS244<br>HELIK |
| <b>Matricola di cui è valida la tavola – Starting from serial no.</b> |   |  |   |               |               |              |               |                 |              |               |                 |
| <b>5A/0</b>   | 04-06   | /  | NA  | NA            | NA            | NA           | NA            | 001             | NA           | NA            | NA              |
| <b>5A/0</b>   | 07-10   | Emiss. 3073  | NA  | NA            | NA            | NA           | NA            | ...             | NA           | NA            | 001             |
| <b>5A/1</b>   | 09-11   | Emiss. 3293  | NA  | NA            | NA            | NA           | NA            | NA              | NA           | NA            | ...             |
|   |   |  |   |               |               |              |               |                 |              |               |                 |
|   |   |  |   |               |               |              |               |                 |              |               |                 |
|   |   |  |   |               |               |              |               |                 |              |               |                 |
|   |   |  |   |               |               |              |               |                 |              |               |                 |

| <b>BRACCI LUNGHI H<br/>LONGS ARMS H</b>                               |   |  | <b>Valida per i modelli<br/>Apply to models</b> |               |               |              |               |                 |              |               |                 |
|---|---|--|---|---------------|---------------|--------------|---------------|-----------------|--------------|---------------|-----------------|
| n° tavola /<br>ind. mod.<br><i>Table no /<br/>change index</i>        | Data ultimo<br>aggiornamento.<br><i>Latest revision<br/>made on</i> | N° modifica<br>tecnica<br><i>Technical<br/>change on</i> | KPS224<br>HE                                    | KPS224<br>HER | KPS224<br>HEK | KPS234<br>HE | KPS234<br>HEK | KPS234<br>HELIK | KPS244<br>HE | KPS244<br>HEK | KPS244<br>HELIK |
| <b>Matricola di cui è valida la tavola – Starting from serial no.</b> |   |  |   |               |               |              |               |                 |              |               |                 |
| <b>5B/0</b>   | 04-06   | /  | 001   | NA            | NA            | 001          | NA            | NA              | NA           | NA            | NA              |
| <b>5B/0</b>   | 07-10   | Emiss. 3073  | ...   | NA            | NA            | ...          | NA            | NA              | 001          | NA            | NA              |
| <b>5B/1</b>   | 09-11   | Emiss. 3293  | NA  | NA            | NA            | ...          | NA            | NA              | ...          | NA            | NA              |
|   |   |  |   |               |               |              |               |                 |              |               |                 |
|   |   |  |   |               |               |              |               |                 |              |               |                 |
|   |   |  |   |               |               |              |               |                 |              |               |                 |
|   |   |  |   |               |               |              |               |                 |              |               |                 |

| <b>BRACCI LUNGHI HK<br/>LONGS ARMS HK</b>                             |   |  | <b>Valida per i modelli<br/>Apply to models</b> |               |               |              |               |                 |              |               |                 |
|---|---|--|---|---------------|---------------|--------------|---------------|-----------------|--------------|---------------|-----------------|
| n° tavola /<br>ind. mod.<br><i>Table no /<br/>change index</i>        | Data ultimo<br>aggiornamento.<br><i>Latest revision<br/>made on</i> | N° modifica<br>tecnica<br><i>Technical<br/>change on</i> | KPS224<br>HE                                    | KPS224<br>HER | KPS224<br>HEK | KPS234<br>HE | KPS234<br>HEK | KPS234<br>HELIK | KPS244<br>HE | KPS244<br>HEK | KPS244<br>HELIK |
| <b>Matricola di cui è valida la tavola – Starting from serial no.</b> |   |  |   |               |               |              |               |                 |              |               |                 |
| <b>5C/0</b>   | 04-06   | /  | NA  | NA            | 001           | NA           | 001           | NA              | NA           | NA            | NA              |
| <b>5C/0</b>   | 07-10   | Emiss. 3073  | NA  | NA            | ...           | NA           | ...           | NA              | NA           | 001           | NA              |
| <b>5C/1</b>   | 09-11   | Emiss. 3293  | NA  | NA            | NA            | NA           | ...           | NA              | NA           | ...           | NA              |
|   |   |  |   |               |               |              |               |                 |              |               |                 |
|   |   |  |   |               |               |              |               |                 |              |               |                 |
|   |   |  |   |               |               |              |               |                 |              |               |                 |
|   |   |  |   |               |               |              |               |                 |              |               |                 |

| <b>BRACCI LUNGHI HR<br/>LONGS ARMS HR</b>                             |   |  | <b>Valida per i modelli<br/>Apply to models</b> |               |               |              |               |                 |              |               |                 |
|---|---|--|---|---------------|---------------|--------------|---------------|-----------------|--------------|---------------|-----------------|
| n° tavola /<br>ind. mod.<br><i>Table no /<br/>change index</i>        | Data ultimo<br>aggiornamento.<br><i>Latest revision<br/>made on</i> | N° modifica<br>tecnica<br><i>Technical<br/>change on</i> | KPS224<br>HE                                    | KPS224<br>HER | KPS224<br>HEK | KPS234<br>HE | KPS234<br>HEK | KPS234<br>HELIK | KPS244<br>HE | KPS244<br>HEK | KPS244<br>HELIK |
| <b>Matricola di cui è valida la tavola – Starting from serial no.</b> |   |  |   |               |               |              |               |                 |              |               |                 |
| <b>5D/0</b>   | 04-06   | /  | NA  | 001           | NA            | NA           | NA            | NA              | NA           | NA            | NA              |
|   |   |  |   |               |               |              |               |                 |              |               |                 |
|   |   |  |   |               |               |              |               |                 |              |               |                 |
|   |   |  |   |               |               |              |               |                 |              |               |                 |
|   |   |  |   |               |               |              |               |                 |              |               |                 |
|   |   |  |   |               |               |              |               |                 |              |               |                 |



## INDICE DELLE TAVOLE – INDEX OF SPARE PARTS TABLES

| <b>BASE<br/>BASE</b>  |   |  | <b>Valida per i modelli<br/>Apply to models</b> |               |               |              |               |                 |              |               |                 |
|---|---|--|---|---------------|---------------|--------------|---------------|-----------------|--------------|---------------|-----------------|
| n° tavola /<br>ind. mod.<br><i>Table no /<br/>change index</i>        | Data ultimo<br>aggiornamento.<br><i>Latest revision<br/>made on</i> | N° modifica<br>tecnica<br><i>Technical<br/>change on</i> | KPS224<br>HE                                    | KPS224<br>HER | KPS224<br>HEK | KPS234<br>HE | KPS234<br>HEK | KPS234<br>HELIK | KPS244<br>HE | KPS244<br>HEK | KPS244<br>HELIK |
| <b>Matricola di cui è valida la tavola – Starting from serial no.</b> |   |  |   |               |               |              |               |                 |              |               |                 |
| <b>6/0</b>  | 04-06   | /  | 001   | 001           | 001           | 001          | 001           | 001             | NA           | NA            | NA              |
| <b>6/1</b>  | 07-10   | 6781   | NA  | NA            | NA            | ...          | ...           | ...             | 001          | 001           | 001             |
| <b>6/1</b>  | 07-10   | Emiss. 3073  | NA  | NA            | NA            | ...          | ...           | ...             | 001          | 001           | 001             |
| <b>6/2</b>  | 09-11   | Emiss. 3293  | NA  | NA            | NA            | ...          | ...           | NA              | ...          | ...           | ...             |
| <b>6/3</b>  | 01-13   | Emiss. 3441  | NA  | NA            | NA            | ...          | ...           | NA              | ...          | ...           | ...             |
| <b>6/4</b>  | 05-13   | Mod. 7144  | NA  | NA            | NA            | ...          | ...           | NA              | ...          | ...           | ...             |

| <b>IMPIANTO ELETTRICO<br/>ELECTRIC INSTALLATION</b>                   |   |  | <b>Valida per i modelli<br/>Apply to models</b> |               |               |              |               |                 |              |               |                 |
|---|---|--|---|---------------|---------------|--------------|---------------|-----------------|--------------|---------------|-----------------|
| n° tavola /<br>ind. mod.<br><i>Table no /<br/>change index</i>        | Data ultimo<br>aggiornamento.<br><i>Latest revision<br/>made on</i> | N° modifica<br>tecnica<br><i>Technical<br/>change on</i> | KPS224<br>HE                                    | KPS224<br>HER | KPS224<br>HEK | KPS234<br>HE | KPS234<br>HEK | KPS234<br>HELIK | KPS244<br>HE | KPS244<br>HEK | KPS244<br>HELIK |
| <b>Matricola di cui è valida la tavola – Starting from serial no.</b> |   |  |   |               |               |              |               |                 |              |               |                 |
| <b>8A/0</b>   | 04-06   | /  | 001   | 001           | 001           | NA           | NA            | NA              | NA           | NA            | NA              |

| <b>IMPIANTO ELETTRICO<br/>ELECTRIC INSTALLATION</b>                   |   |  | <b>Valida per i modelli<br/>Apply to models</b> |               |               |              |               |                 |              |               |                 |
|---|---|--|---|---------------|---------------|--------------|---------------|-----------------|--------------|---------------|-----------------|
| n° tavola /<br>ind. mod.<br><i>Table no /<br/>change index</i>        | Data ultimo<br>aggiornamento.<br><i>Latest revision<br/>made on</i> | N° modifica<br>tecnica<br><i>Technical<br/>change on</i> | KPS224<br>HE                                    | KPS224<br>HER | KPS224<br>HEK | KPS234<br>HE | KPS234<br>HEK | KPS234<br>HELIK | KPS244<br>HE | KPS244<br>HEK | KPS244<br>HELIK |
| <b>Matricola di cui è valida la tavola – Starting from serial no.</b> |   |  |   |               |               |              |               |                 |              |               |                 |
| <b>8B/0</b>   | 04-06   | /  | NA  | NA            | NA            | 001          | 001           | 001             | NA           | NA            | NA              |
| <b>8B/1</b>   | 02-10   | Emiss. 3033  | NA  | NA            | NA            | ...          | ...           | ...             | NA           | NA            | NA              |
| <b>8B/1</b>   | 07-10   | Emiss. 3073  | NA  | NA            | NA            | ...          | ...           | ...             | 001          | 001           | 001             |
| <b>8B/2</b>   | 09-11   | Emiss. 3293  | NA  | NA            | NA            | ...          | ...           | NA              | NA           | NA            | NA              |

| <b>IMPIANTO ELETTRICO<br/>ELECTRIC INSTALLATION</b>                   |   |  | <b>Valida per i modelli<br/>Apply to models</b> |               |               |              |               |                 |              |               |                 |
|---|---|--|---|---------------|---------------|--------------|---------------|-----------------|--------------|---------------|-----------------|
| n° tavola /<br>ind. mod.<br><i>Table no /<br/>change index</i>        | Data ultimo<br>aggiornamento.<br><i>Latest revision<br/>made on</i> | N° modifica<br>tecnica<br><i>Technical<br/>change on</i> | KPS224<br>HE                                    | KPS224<br>HER | KPS224<br>HEK | KPS234<br>HE | KPS234<br>HEK | KPS234<br>HELIK | KPS244<br>HE | KPS244<br>HEK | KPS244<br>HELIK |
| <b>Matricola di cui è valida la tavola – Starting from serial no.</b> |   |  |   |               |               |              |               |                 |              |               |                 |
| <b>8C/0</b>   | 09-11   | Emiss. 3293  | NA  | NA            | NA            | NA           | NA            | NA              | ...          | ...           | ...             |

| <b>ADESIVI E DISPOSITIVI SIGNAL. DI PERICOLO<br/>TABLE FOR LABELS AND DANGER<br/>WARNING DEVICES</b> |   |  | <b>Valida per i modelli<br/>Apply to models</b> |               |               |              |               |                 |              |               |                 |
|--|---|--|---|---------------|---------------|--------------|---------------|-----------------|--------------|---------------|-----------------|
| n° tavola /<br>ind. mod.<br><i>Table no /<br/>change index</i>                                       | Data ultimo<br>aggiornamento.<br><i>Latest revision<br/>made on</i> | N° modifica<br>tecnica<br><i>Technical<br/>change on</i> | KPS224<br>HE                                    | KPS224<br>HER | KPS224<br>HEK | KPS234<br>HE | KPS234<br>HEK | KPS234<br>HELIK | KPS244<br>HE | KPS244<br>HEK | KPS244<br>HELIK |
| <b>Matricola di cui è valida la tavola – Starting from serial no.</b>                                |   |  |   |               |               |              |               |                 |              |               |                 |
| <b>10/0</b>  | 04-06   | /  | 001   | 001           | 001           | 001          | 001           | 001             | NA           | NA            | NA              |
| <b>10/1</b>  | 02-10   | Emiss. 3033  | NA  | NA            | NA            | ...          | ...           | ...             | NA           | NA            | NA              |
| <b>10/2</b>  | 07-10   | Emiss. 3073  | NA  | NA            | NA            | ...          | ...           | ...             | 001          | 001           | 001             |
| <b>10/3</b>  | 09-11   | Emiss. 3293  | NA  | NA            | NA            | ...          | ...           | NA              | ...          | ...           | ...             |

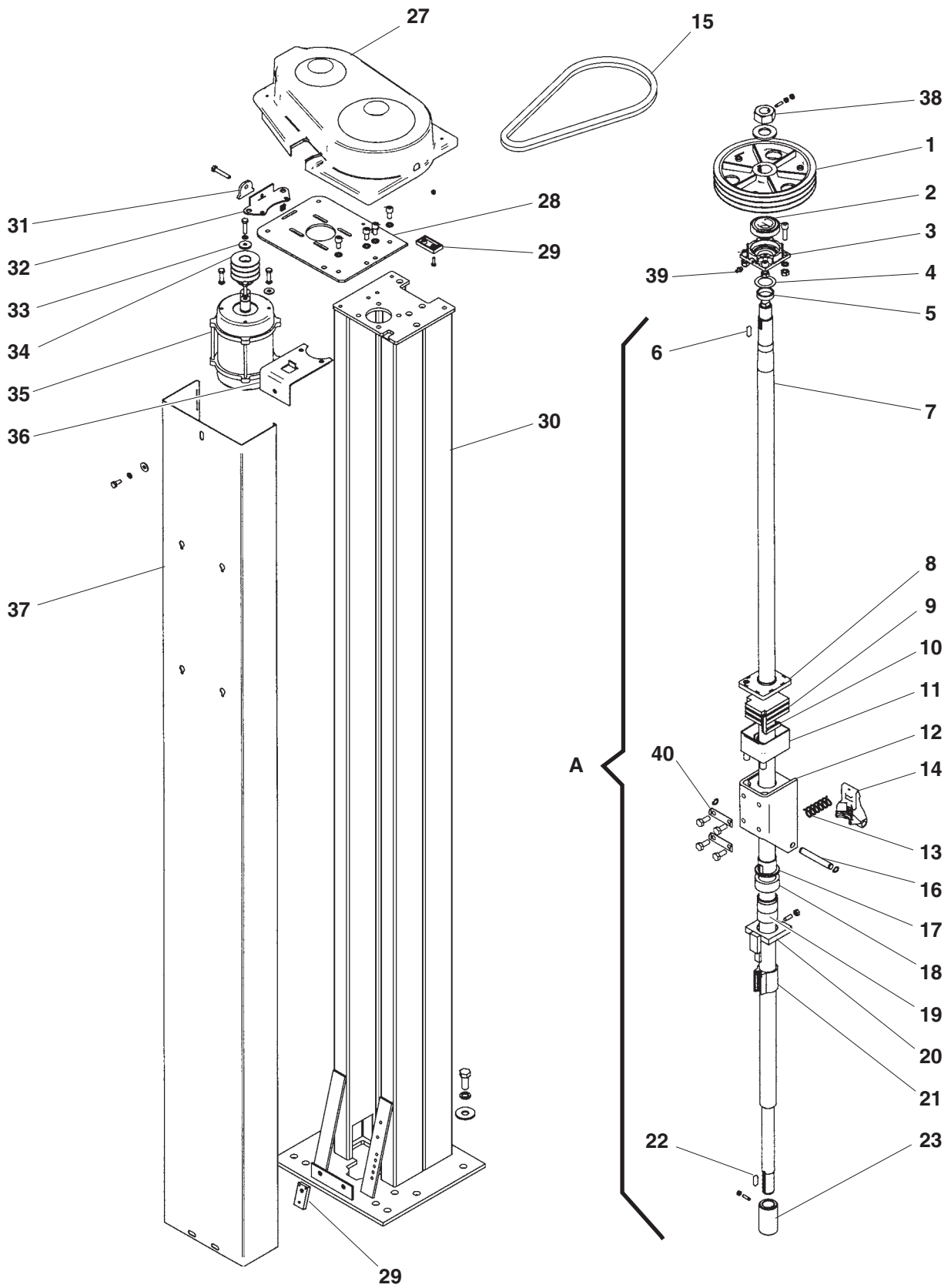


Denominazione tavola – Table definition

# COLONNA COMANDO CONTROL COLUMN

N° / Indice  
tavola / di modifica  
Table / Change  
no / index

1/0





Denominazione tavola – Table definition

# COLONNA COMANDO CONTROL COLUMN

N° / Indice  
tavola / di modifica  
Table / Change  
no / index

1/0

| RIF. REF | CODICE CODE | DESCRIZIONE DESCRIPTION         | APPLICAZIONE APPLICATION  |
|----------|-------------|---------------------------------|---|
| 1        | 047018360   | PULEGGIA D.250 3 GOLE           | 3-RACE PULLEY DIAM. 250<br>KPS234HE-KPS234HEK<br>KPS234HELIK        |
|          | 047018710   | PULEGGIA D.250 2 GOLE           | 2-RACE PULLEY DIAM. 250<br>KPS224HE-KPS224HER<br>KPS224HEK          |
| 2        | 607503      | CUSCINETTO 30207                | BEARING   |
| 3        | 047018540   | SUPPORTO CUSCINETTO             | BEARING SUPPORT   |
| 4        | 237402      | RONDELLA SPESSORAMENTO          | SHIM  |
| 5        | 047018340   | DISTANZIALE                     | SPACER  |
| 6        | 231047      | CHIAVETTA 8x7x28                | WING  |
| 7        | 047218180   | VITE TRAINO (A)                 | CARRIAGE DRIVE SCREW (A)  |
| 8        | 047018610   | COPERCHIO VASCHETTA (A)         | LUBR. TRAY COVER (A)  |
| 9        | 047018620   | FELTRO LUBRIFICAZIONE (A)       | LUBRICATION FELT (A)  |
| 10       | 047018630   | STOPPINO (A)                    | WICK (A)  |
| 11       | 047018601   | VASCHETTA OLIO (A)              | LUBRICATION TRAY (A)  |
| 12       | 047018142   | SUPPORTO BUSTA (A)              | BAG SUPPORT (A)<br>KPS224HE-KPS224HER<br>KPS224HEK                  |
|          | 047018144   | SUPPORTO BUSTA LUNGA (A)        | LONG BAG SUPPORT (A)<br>KPS234HE-KPS234HEK<br>KPS234HELIK           |
| 13       | 06810517    | MOLLA (A)                       | SPRING (A)<br>TUTTI I MODELLI-ALL MODELS*                           |
| 14       | 047018193   | ARRESTO MECCANICO (A)           | MECHANICAL STOP (A)<br>KPS224HE-KPS224HER<br>KPS224HEK              |
|          | 047018760   | ARRESTO MECCANICO (A)           | MECHANICAL STOP (A)<br>KPS234HE-KPS234HEK<br>KPS234HELIK            |
| 15       | 412126      | CINGHIA TRAPEZ. A37             | V-BELT A37  |
| 16       | 047018180   | PERNO FULCRO ARRESTO (A)        | STOP FULCRUM PIN (A)  |
| 17       | 047018640   | BOCCOLA GUIDA VITE (A)          | SCREW GUIDE BUSH (A)<br>TUTTI I MODELLI-ALL MODELS*                 |
| 18       | 047018271   | DISTANZIALE BUSTA CORTO (A)     | SHORT BAG SPACER (A)<br>KPS224HE-KPS224HER<br>KPS224HEK             |
|          | 047018381   | DISTANZIALE BUSTA LARGO (A)     | WIDE BAG SPACER (A)<br>KPS234HE-KPS234HEK<br>KPS234HELIK            |
| 19       | 047218310   | BUSTA LUNGA DESTRA (A)          | RH LONG BAG (A)   |
| 20       | 047018090   | GUIDA BUSTA (A)                 | BAG GUIDE (A)   |
| 21       | 047218330   | CONTROBUSTA LUNGA DESTRA (A)    | RH LONG COUNTER BAG (A)   |
| 22       | 231047      | CHIAVETTA 8x7x28                | WING  |
| 23       | 047018320   | GIUNTO PER VITE                 | SCREW JOINT   |
| 27       | 047019010   | CARTER PULEGGE                  | PULLEY GUARD  |
| 28       | 047219070   | SUPPORTO MOTORE                 | MOTOR MOUNT   |
| 29       | 047019561   | DISTANZIALE F.C.                | SPACER  |
| 30       | 047010520   | COLONNA                         | STAND<br>KPS234HE-KPS234HEK<br>KPS234HELIK                          |
|          | 047010047   | COLONNA                         | STAND<br>KPS224HE-KPS224HER<br>KPS224HEK                            |
| 31       | 047219090   | AGGANCIO TENDITORE              | IDLER COUPLING  |
| 32       | 04640583RG  | TENDITORE                       | IDLER   |
| 33       | 237065      | RONDELLA                        | WASHER<br>TUTTI I MODELLI-ALL MODELS*                               |
| 34       | 047218260   | PULLEGGIA PICCOLA 3 GOLE        | SMALL 3-RACE PULLEY<br>KPS234HE-KPS234HEK<br>KPS234HELIK            |
|          | 047218250   | PULLEGGIA PICCOLA 2 GOLE        | SMALL 2-RACE PULLEY<br>KPS224HE-KPS224HER<br>KPS224HEK              |
| 35       | 900003060   | MOTORE 220/380V 50Hz 2,6kW IP44 | MOTOR 220/380V 50Hz 2,6kW IP44<br>KPS234HE-KPS234HEK<br>KPS234HELIK |
|          | 900003001   | MOTORE 220/380V 50Hz 3,5kW IP44 | MOTOR 220/380V 50Hz 3,5kW IP44<br>KPS224HE-KPS224HER<br>KPS224HEK   |
| 36       | 047213030   | SUPPORTO CARTER                 | GUARD SUPPORT   |
| 37       | 047213010   | CARTER COLONNA COMANDO          | CONTROL STAND GUARD   |
| 38       | 047018330   | DADO SUPERIORE VITE             | UPPER NUT   |
| 39       | 299097      | INGRASSATORE DIRITTO M8         | STRAIGHT GREASER  |
| 40       | 052520250   | PIASTRINO ANTISVITAMENTO        | PLATE PREVENTING LOOSENING<br>TUTTI I MODELLI-ALL MODELS*           |
| A        | 047298130   | INS. VITE MONTATA DX            | DX SCREW ASSY FITTED<br>KPS224HE-KPS224HER<br>KPS224HEK             |
|          | 047298160   |                                 |   |

11-04-2006

(\* Vedi intestazione: "Valida per i modelli" (INDICE DELLE TAVOLE) - See: "Apply to models" (INDEX OF SPARE PARTS TABLES)

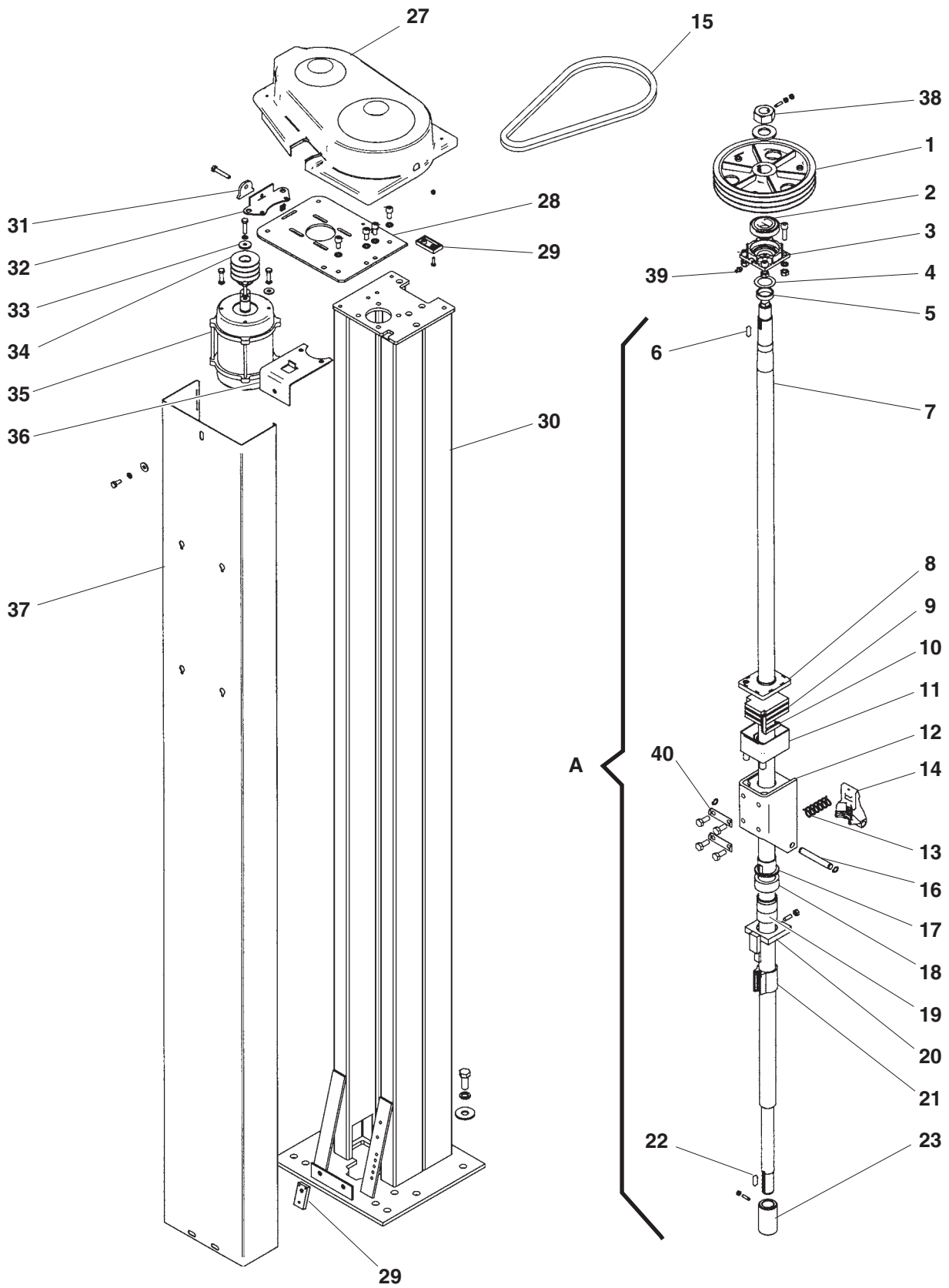


Denominazione tavola – Table definition

# COLONNA COMANDO CONTROL COLUMN

N° / Indice  
tavola / di modifica  
Table / Change  
no / index

1/1





Denominazione tavola – Table definition

**COLONNA COMANDO  
CONTROL COLUMN**N° / Indice  
tavola / di modifica  
Table / Change  
no / index**1/1**

| RIF.<br>REF | CODICE<br>CODE | DESCRIZIONE<br>DESCRIPTION               | APPLICAZIONE<br>APPLICATION          |
|-------------|----------------|--|--------------------------------------|
| 1           | 047018460      | PULEGGIA D.300 2 GOLE                    | 3-RACE PULLEY DIAM. 300              |
| 2           | 607503         | CUSCINETTO 30207                         | BEARING                              |
| 3           | 047018540      | SUPPORTO CUSCINETTO                      | BEARING SUPPORT                      |
| 4           | 237402         | RONDELLA SPESSORAMENTO                   | SHIM                                 |
| 5           | 047018340      | DISTANZIALE                              | SPACER                               |
| 6           | 231047         | CHIAVETTA 8x7x28                         | WING                                 |
| 7           | 047218180      | VITE TRAINO (A)                          | CARRIAGE DRIVE SCREW (A)             |
| 8           | 047018610      | COPERCHIO VASCHETTA (A)                  | LUBR. TRAY COVER (A)                 |
| 9           | 047018620      | FELTRO LUBRIFICAZIONE (A)                | LUBRICATION FELT (A)                 |
| 10          | 047018630      | STOPPINO (A)                             | WICK (A)                             |
| 11          | 047018601      | VASCHETTA OLIO (A)                       | LUBRICATION TRAY (A)                 |
| 12          | 047018144      | SUPPORTO BUSTA (A)                       | BAG SUPPORT (A)                      |
| 13          | 06810517       | MOLLA (A)                                | SPRING (A)                           |
| 14          | 047018760      | ARRESTO MECCANICO (A)                    | MECHANICAL STOP (A)                  |
| 15          | 412154         | CINGHIA TRAPEZ. A41                      | V-BELT A41                           |
| 16          | 047018180      | PERNO FULCRO ARRESTO (A)                 | STOP FULCRUM PIN (A)                 |
| 17          | 047018640      | BOCCOLA GUIDA VITE (A)                   | SCREW GUIDE BUSH (A)                 |
| 18          | 047018381      | DISTANZIALE BUSTA LARGO (A)              | WIDE BAG SPACER (A)                  |
| 19          | 047218310      | BUSTA LUNGA DESTRA (A)                   | RH LONG BAG (A)                      |
| 20          | 047018090      | GUIDA BUSTA (A)                          | BAG GUIDE (A)                        |
| 21          | 047218330      | CONTROBUSTA (A)                          | COUNTER BAG (A)                      |
| 22          | 231004         | CHIAVETTA 8x7x30                         | WING                                 |
| 23          | 047018320      | GIUNTO PER VITE                          | SCREW JOINT                          |
| 27          | 047113050      | CARTER PULEGGE                           | PULLEY GUARD                         |
| 28          | 047219070      | SUPPORTO MOTORE                          | MOTOR MOUNT                          |
| 29          | 047019561      | DISTANZIALE F.C.                         | SPACER                               |
| 30          | 047010520      | COLONNA                                  | STAND                                |
| 31          | 047219090      | AGGANCIAMENTO TENDITORE                  | IDLER COUPLING                       |
| 32          | 04640583RG     | TENDITORE                                | IDLER                                |
| 33          | 237065         | RONDELLA                                 | WASHER                               |
| 34          | 046406140      | PULLEGGIA PICCOLA 3 GOLE                 | SMALL 3-RACE PULLEY                  |
| 35          | 900003001      | MOTORE G90L4B14 3,5KW 230/400<br>50/60S3 | MOTOR G90L4B14 3,5KW 230/400 50/60S3 |
| 36          | 047213030      | SUPPORTO CARTER                          | GUARD SUPPORT                        |
| 37          | 047213010      | CARTER COLONNA COMANDO                   | CONTROL STAND GUARD                  |
| 38          | 047018331      | DADO SUPERIORE VITE                      | UPPER NUT                            |
| 39          | 299097         | INGRASSATORE DIRITTO M8                  | STRAIGHT GREASER                     |
| 40          | 052520250      | PIASTRINO ANTISVITAMENTO                 | PLATE PREVENTING LOOSENING           |
| A           | 047298160      | INS. VITE MONTATA DX                     | DX SCREW ASSY FITTED                 |

TUTTI I MODELLI-ALL MODELS\*

6-07-2010

(\*) Vedi intestazione: "Valida per i modelli" (INDICE DELLE TAVOLE) - See: "Apply to models" (INDEX OF SPARE PARTS TABLES)

0472-R012-7

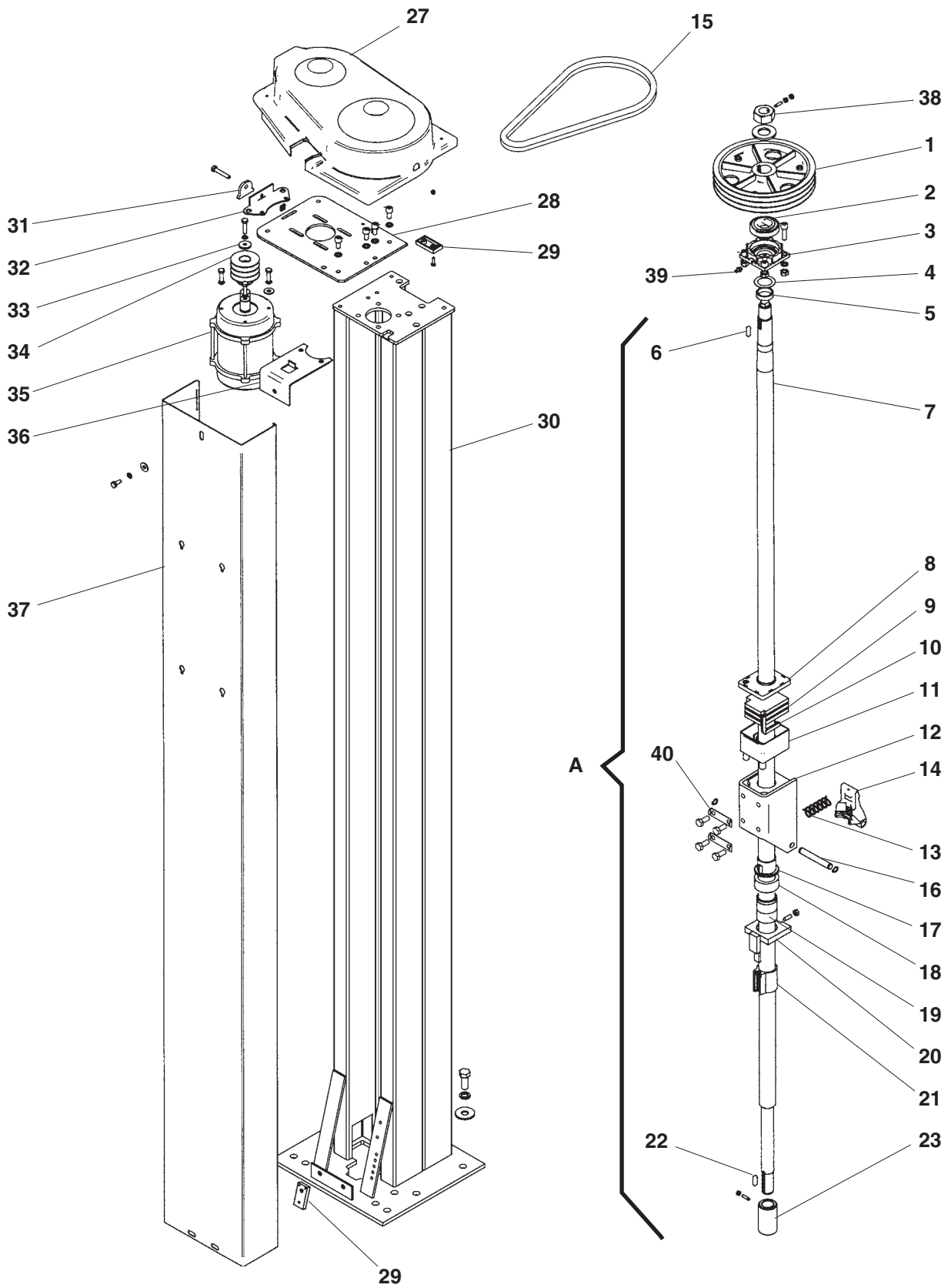


Denominazione tavola – Table definition

# COLONNA COMANDO CONTROL COLUMN

N° / Indice  
tavola / di modifica  
Table / Change  
no / index

## 1A/0



6-07-2010



Denominazione tavola – Table definition

**COLONNA COMANDO  
CONTROL COLUMN**N° / Indice  
tavola / di modifica  
Table / Change  
no / index**1A/0**

| RIF. REF | CODICE CODE | DESCRIZIONE DESCRIPTION               | APPLICAZIONE APPLICATION             |
|----------|-------------|---------------------------------------|--------------------------------------|
| 1        | 047018460   | PULEGGIA D.300 2 GOLE                 | 3-RACE PULLEY DIAM. 300              |
| 2        | 607503      | CUSCINETTO 30207                      | BEARING                              |
| 3        | 047018540   | SUPPORTO CUSCINETTO                   | BEARING SUPPORT                      |
| 4        | 237402      | RONDELLA SPESSORAMENTO                | SHIM                                 |
| 5        | 047018340   | DISTANZIALE                           | SPACER                               |
| 6        | 231047      | CHIAVETTA 8x7x28                      | WING                                 |
| 7        | 047218180   | VITE TRAINO (A)                       | CARRIAGE DRIVE SCREW (A)             |
| 8        | 047018610   | COPERCHIO VASCHETTA (A)               | LUBR. TRAY COVER (A)                 |
| 9        | 047018620   | FELTRO LUBRIFICAZIONE (A)             | LUBRICATION FELT (A)                 |
| 10       | 047018630   | STOPPINO (A)                          | WICK (A)                             |
| 11       | 047018601   | VASCHETTA OLIO (A)                    | LUBRICATION TRAY (A)                 |
| 12       | 047018144   | SUPPORTO BUSTA (A)                    | BAG SUPPORT (A)                      |
| 13       | 06810517    | MOLLA (A)                             | SPRING (A)                           |
| 14       | 047018760   | ARRESTO MECCANICO (A)                 | MECHANICAL STOP (A)                  |
| 15       | 412126      | CINGHIA TRAPEZ. A37                   | V-BELT A37                           |
| 16       | 047018180   | PERNO FULCRO ARRESTO (A)              | STOP FULCRUM PIN (A)                 |
| 17       | 047018640   | BOCCOLA GUIDA VITE (A)                | SCREW GUIDE BUSH (A)                 |
| 18       | 047018381   | DISTANZIALE BUSTA LARGO (A)           | WIDE BAG SPACER (A)                  |
| 19       | 047218310   | BUSTA LUNGA DESTRA (A)                | RH LONG BAG (A)                      |
| 20       | 047018090   | GUIDA BUSTA (A)                       | BAG GUIDE (A)                        |
| 21       | 047218330   | CONTROBUSTA (A)                       | COUNTER BAG (A)                      |
| 22       | 231047      | CHIAVETTA 8x7x28                      | WING                                 |
| 23       | 047018320   | GIUNTO PER VITE                       | SCREW JOINT                          |
| 27       | 047113050   | CARTER PULEGGE                        | PULLEY GUARD                         |
| 28       | 047219070   | SUPPORTO MOTORE                       | MOTOR MOUNT                          |
| 29       | 047019561   | DISTANZIALE F.C.                      | SPACER                               |
| 30       | 047010520   | COLONNA                               | STAND                                |
| 31       | 047219090   | AGGANCIAMENTO TENDITORE               | IDLER COUPLING                       |
| 32       | 04640583RG  | TENDITORE                             | IDLER                                |
| 33       | 237065      | RONDELLA                              | WASHER                               |
| 34       | 047218260   | PULEGGIA PICCOLA 3 GOLE               | SMALL 3-RACE PULLEY                  |
| 35       | 900003060   | MOTORE 90S4B14 KW2.6-230/400 50/60 S3 | MOTOR 90S4B14 KW2.6-230/400 50/60 S3 |
| 36       | 047213030   | SUPPORTO CARTER                       | GUARD SUPPORT                        |
| 37       | 047213010   | CARTER COLONNA COMANDO                | CONTROL STAND GUARD                  |
| 38       | 047018330   | DADO SUPERIORE VITE                   | UPPER NUT                            |
| 39       | 299097      | INGRASSATORE DIRITTO M8               | STRAIGHT GREASER                     |
| 40       | 052520250   | PIASTRINO ANTISVITAMENTO              | PLATE PREVENTING LOOSENING           |
| A        | 047298160   | INS. VITE MONTATA DX                  | DX SCREW ASSY FITTED                 |

TUTTI I MODELLI-ALL MODELS\*

6-07-2010

(\*) Vedi intestazione: "Valida per i modelli" (INDICE DELLE TAVOLE) - See: "Apply to models" (INDEX OF SPARE PARTS TABLES)

0472-R012-7

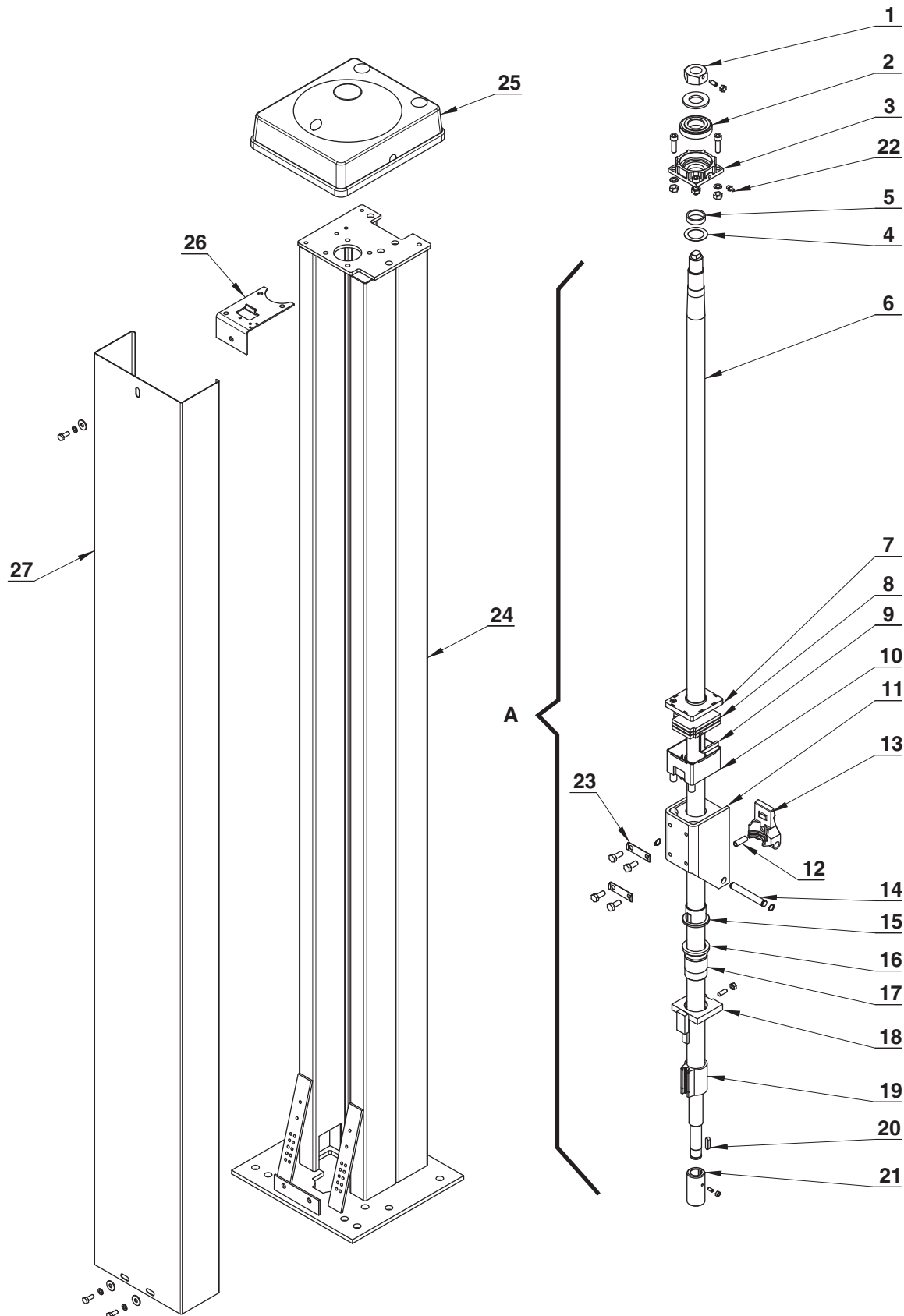


Denominazione tavola – Table definition

# COLONNA OPPOSTA OPPOSITE COLUMN

N° / Indice  
tavola / di modifica  
Table / Change  
no / index

## 2A/0





Denominazione tavola – Table definition

**COLONNA OPPOSTA  
OPPOSITE COLUMN**N° / Indice  
tavola / di modifica  
Table / Change  
no / index**2A/0**

| RIF. REF | CODICE CODE | DESCRIZIONE DESCRIPTION                                  | APPLICAZIONE APPLICATION    |
|----------|-------------|--|-----------------------------|
| 1        | 047018331   | DADO SUPERIORE VITE<br>UPPER NUT                         | TUTTI I MODELLI-ALL MODELS* |
| 2        | 607503      | CUSCINETTO 30207<br>BEARING                              |                             |
| 3        | 047018540   | SUPPORTO CUSCINETTO<br>BEARING SUPPORT                   |                             |
| 4        | 237402      | RONDELLA SPESSORAMENTO<br>SHIM                           |                             |
| 5        | 047018340   | DISTANZIALE<br>SPACER                                    |                             |
| 6        | 047218140   | VITE COLONNA OPPOSTA (A)<br>SCREW FOR OPPOSITE STAND (A) |                             |
| 7        | 047018611   | COPERCHIO VASCHETTA (A)<br>LUBR. TRAY COVER (A)          |                             |
| 8        | 047018620   | FELTRO LUBRIFICAZIONE (A)<br>LUBRICATION FELT (A)        |                             |
| 9        | 047018630   | STOPPINO (A)<br>WICK (A)                                 |                             |
| 10       | 047018601   | VASCHETTA OLIO (A)<br>LUBRICATION TRAY (A)               |                             |
| 11       | 047018142   | SUPPORTO BUSTA (A)<br>BAG SUPPORT (A)                    |                             |
| 12       | 06810517    | MOLLA (A)<br>SPRING (A)                                  |                             |
| 13       | 047018194   | ARRESTO MECCANICO (A)<br>MECHANICAL STOP (A)             |                             |
| 14       | 047018180   | PERNO FULCRO ARRESTO (A)<br>STOP FULCRUM PIN (A)         |                             |
| 15       | 047018640   | BOCCOLA GUIDA VITE (A)<br>SCREW GUIDE BUSHING (A)        |                             |
| 16       | 047018271   | DISTANZIALE BUSTA CORTO (A)<br>SHORT BAG SPACER (A)      |                             |
| 17       | 047218320   | BUSTA LUNGA SX (A)<br>LH LONG BAG (A)                    |                             |
| 18       | 047018090   | GUIDA BUSTA (A)<br>BAG GUIDE (A)                         |                             |
| 19       | 047218340   | CONTROBUSTA (A)<br>COUNTER BAG (A)                       |                             |
| 20       | 231004      | CHIAVETTA 8x7x28<br>WING                                 |                             |
| 21       | 047018320   | GIUNTO PER VITE<br>SCREW JOINT                           |                             |
| 22       | 299097      | INGRASSATORE<br>STRAIGHT GREASER                         |                             |
| 23       | 052520250   | PIASTRINO ANTISVITAMENTO<br>PLATE PREVENTING LOOSENING   |                             |
| 24       | 047010047   | COLONNA OPPOSTA<br>OPPOSITE STAND                        |                             |
| 25       | 047019020   | CARTER SUPERIORE<br>UPPER GUARD                          |                             |
| 26       | 047213030   | LAMIERA SUPPORTO CARTER<br>GUARD SUPPORT                 |                             |
| 27       | 047213020   | CARTER COLONNA OPPOSTA<br>GUARD                          |                             |
| A        | 047298140   | INS. VITE MONTATA SX<br>SX SCREW ASSY FITTED             |                             |

11-04-2006

(\*) Vedi intestazione: "Valida per i modelli" (INDICE DELLE TAVOLE) - See: "Apply to models" (INDEX OF SPARE PARTS TABLES)

0472-R012-7

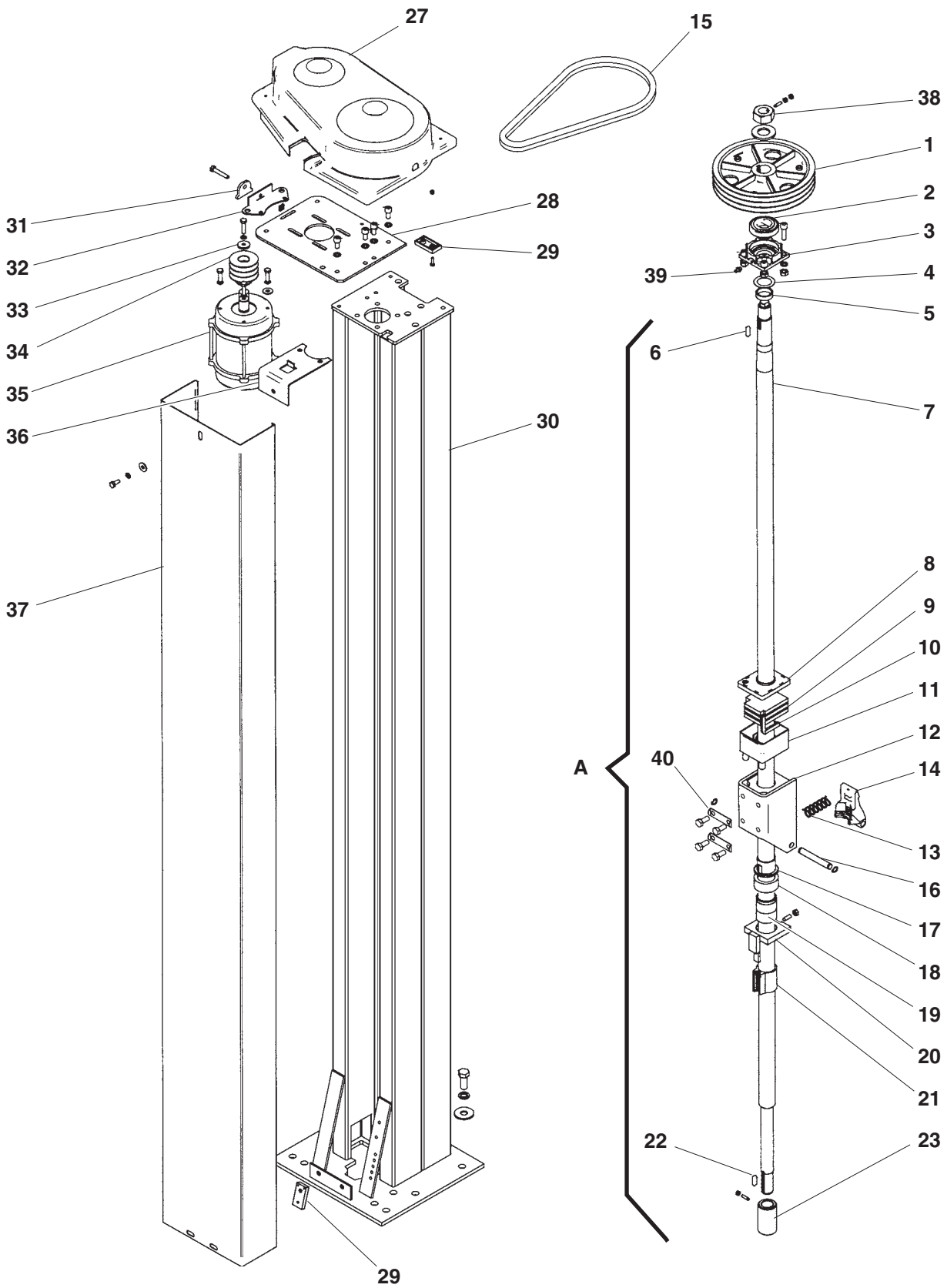


Denominazione tavola – Table definition

# COLONNA OPPOSTA OPPOSITE COLUMN

N° / Indice  
tavola / di modifica  
Table / Change  
no / index

## 2B/0





Denominazione tavola – Table definition

**COLONNA OPPOSTA  
OPPOSITE COLUMN**N° / Indice  
tavola / di modifica  
Table / Change  
no / index**2B/0**

| RIF.<br>REF | CODICE<br>CODE | DESCRIZIONE<br>DESCRIPTION      | APPLICAZIONE<br>APPLICATION    |
|-------------|----------------|---------------------------------|--------------------------------|
| 1           | 047018360      | PULEGGIA D.250 3 GOLE           | 3-RACE PULLEY DIAM. 250        |
| 2           | 607503         | CUSCINETTO 30207                | BEARING                        |
| 3           | 047018540      | SUPPORTO CUSCINETTO             | BEARING SUPPORT                |
| 4           | 237402         | RONDELLA SPESSORAMENTO          | SHIM                           |
| 5           | 047018340      | DISTANZIALE                     | SPACER                         |
| 6           | 231047         | CHIAVETTA 8x7x28                | WING                           |
| 7           | 047218130      | VITE TRAINO (A)                 | CARRIAGE DRIVE SCREW (A)       |
| 8           | 047018610      | COPERCHIO VASCHETTA (A)         | LUBR. TRAY COVER (A)           |
| 9           | 047018620      | FELTRO LUBRIFICAZIONE (A)       | LUBRICATION FELT (A)           |
| 10          | 047018630      | STOPPINO (A)                    | WICK (A)                       |
| 11          | 047018601      | VASCHETTA OLIO (A)              | LUBRICATION TRAY (A)           |
| 12          | 047018144      | SUPPORTO BUSTA LUNGA (A)        | LONG BAG SUPPORT (A)           |
| 13          | 06810517       | MOLLA (A)                       | SPRING (A)                     |
| 14          | 047018760      | ARRESTO MECCANICO (A)           | MECHANICAL STOP (A)            |
| 15          | 412126         | CINGHIA TRAPEZ. A37             | V-BELT A37                     |
| 16          | 047018180      | PERNO FULCRO ARRESTO (A)        | STOP FULCRUM PIN (A)           |
| 17          | 047018640      | BOCCOLA GUIDA VITE (A)          | SCREW GUIDE BUSH (A)           |
| 18          | 047018381      | DISTANZIALE BUSTA LARGO (A)     | WIDE BAG SPACER (A)            |
| 19          | 047218320      | BUSTA LUNGA SINISTRA (A)        | LH LONG BAG (A)                |
| 20          | 047018090      | GUIDA BUSTA (A)                 | BAG GUIDE (A)                  |
| 21          | 047218340      | CONTROBUSTA LUNGA SINISTRA (A)  | LH LONG COUNTER BAG (A)        |
| 22          | 231047         | CHIAVETTA 8x7x28                | WING                           |
| 23          | 047018320      | GIUNTO PER VITE                 | SCREW JOINT                    |
| 27          | 047019010      | CARTER PULEGGE                  | PULLEY GUARD                   |
| 28          | 047219070      | SUPPORTO MOTORE                 | MOTOR MOUNT                    |
| 29          | 047019561      | DISTANZIALE F.C.                | SPACER                         |
| 30          | 047010520      | COLONNA                         | STAND                          |
| 31          | 047219090      | AGGANCIO TENDITORE              | IDLER COUPLING                 |
| 32          | 04640583RG     | TENDITORE                       | IDLER                          |
| 33          | 237065         | RONDELLA                        | WASHER                         |
| 34          | 047218260      | PULLEGGIA PICCOLA 3 GOLE        | SMALL 3-RACE PULLEY            |
| 35          | 900003060      | MOTORE 220/380V 50Hz 2,6kW IP44 | MOTOR 220/380V 50Hz 2,6kW IP44 |
| 36          | 047213030      | SUPPORTO CARTER                 | GUARD SUPPORT                  |
| 37          | 047213020      | CARTER COLONNA OPPOSTA          | OPPOSITE COLUMN GUARD          |
| 38          | 047018330      | DADO SUPERIORE VITE             | UPPER NUT                      |
| 39          | 299097         | INGRASSATORE DIRITTO M8         | STRAIGHT GREASER               |
| 40          | 052520250      | PIASTRINO ANTISVITAMENTO        | PLATE PREVENTING LOOSENING     |
| A           | 047298170      | INS. VITE MONTATA SX            | SX SCREW ASSY FITTED           |

TUTTI I MODELLI-ALL MODELS\*

11-04-2006

(\*) Vedi intestazione: "Valida per i modelli" (INDICE DELLE TAVOLE) - See: "Apply to models" (INDEX OF SPARE PARTS TABLES)

0472-R012-7

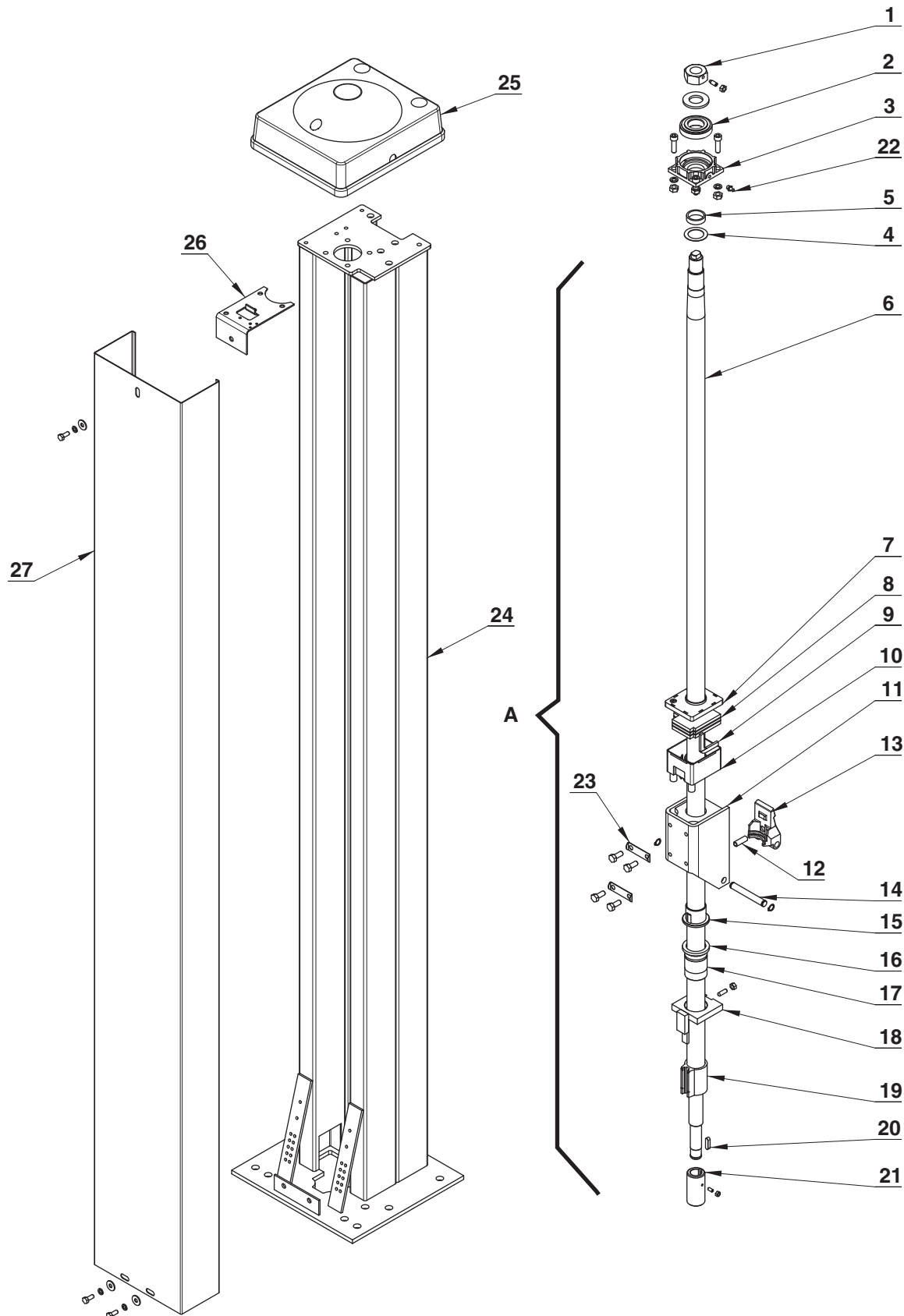


Denominazione tavola – Table definition

# COLONNA OPPOSTA OPPOSITE COLUMN

N° / Indice  
tavola / di modifica  
Table / Change  
no / index

## 2B/1





Denominazione tavola – Table definition

**COLONNA OPPOSTA  
OPPOSITE COLUMN**N° / Indice  
tavola / di modifica  
Table / Change  
no / index**2B/1**

| RIF. REF | CODICE CODE | DESCRIZIONE DESCRIPTION                                  | APPLICAZIONE APPLICATION    |
|----------|-------------|--|-----------------------------|
| 1        | 047018331   | DADO SUPERIORE VITE<br>UPPER NUT                         | TUTTI I MODELLI-ALL MODELS* |
| 2        | 607503      | CUSCINETTO 30207<br>BEARING                              |                             |
| 3        | 047018540   | SUPPORTO CUSCINETTO<br>BEARING SUPPORT                   |                             |
| 4        | 237402      | RONDELLA SPESSORAMENTO<br>SHIM                           |                             |
| 5        | 047018340   | DISTANZIALE<br>SPACER                                    |                             |
| 6        | 047218140   | VITE COLONNA OPPOSTA (A)<br>SCREW FOR OPPOSITE STAND (A) |                             |
| 7        | 047018610   | COPERCHIO VASCHETTA (A)<br>LUBR. TRAY COVER (A)          |                             |
| 8        | 047018620   | FELTRO LUBRIFICAZIONE (A)<br>LUBRICATION FELT (A)        |                             |
| 9        | 047018630   | STOPPINO (A)<br>WICK (A)                                 |                             |
| 10       | 047018601   | VASCHETTA OLIO (A)<br>LUBRICATION TRAY (A)               |                             |
| 11       | 047018144   | SUPPORTO BUSTA (A)<br>BAG SUPPORT (A)                    |                             |
| 12       | 06810517    | MOLLA (A)<br>SPRING (A)                                  |                             |
| 13       | 047018760   | ARRESTO MECCANICO (A)<br>MECHANICAL STOP (A)             |                             |
| 14       | 047018180   | PERNO FULCRO ARRESTO (A)<br>STOP FULCRUM PIN (A)         |                             |
| 15       | 047018640   | BOCCOLA GUIDA VITE (A)<br>SCREW GUIDE BUSHING (A)        |                             |
| 16       | 047018381   | DISTANZIALE BUSTA LARGO (A)<br>WIDE BAG SPACER (A)       |                             |
| 17       | 047218320   | BUSTA LUNGA SX (A)<br>LH LONG BAG (A)                    |                             |
| 18       | 047018090   | GUIDA BUSTA (A)<br>BAG GUIDE (A)                         |                             |
| 19       | 047218340   | CONTROBUSTA (A)<br>COUNTER BAG (A)                       |                             |
| 20       | 231004      | CHIAVETTA<br>WING  |                             |
| 21       | 047018320   | GIUNTO PER VITE<br>SCREW JOINT                           |                             |
| 22       | 299097      | INGRASSATORE<br>STRAIGHT GREASER                         |                             |
| 23       | 052520250   | PIASTRINO ANTISVITAMENTO<br>PLATE PREVENTING LOOSENING   |                             |
| 24       | 047010520   | COLONNA OPPOSTA<br>OPPOSITE STAND                        |                             |
| 25       | 047019020   | CARTER SUPERIORE<br>UPPER GUARD                          |                             |
| 26       | 047213030   | LAMIERA SUPPORTO CARTER<br>GUARD SUPPORT                 |                             |
| 27       | 047019590   | CARTER COLONNA OPPOSTA<br>GUARD                          |                             |
| A        | 047298280   | INS. VITE MONTATA SX<br>SX SCREW ASSY FITTED             |                             |

6-07-2010

(\*) Vedi intestazione: "Valida per i modelli" (INDICE DELLE TAVOLE) - See: "Apply to models" (INDEX OF SPARE PARTS TABLES)

0472-R012-7

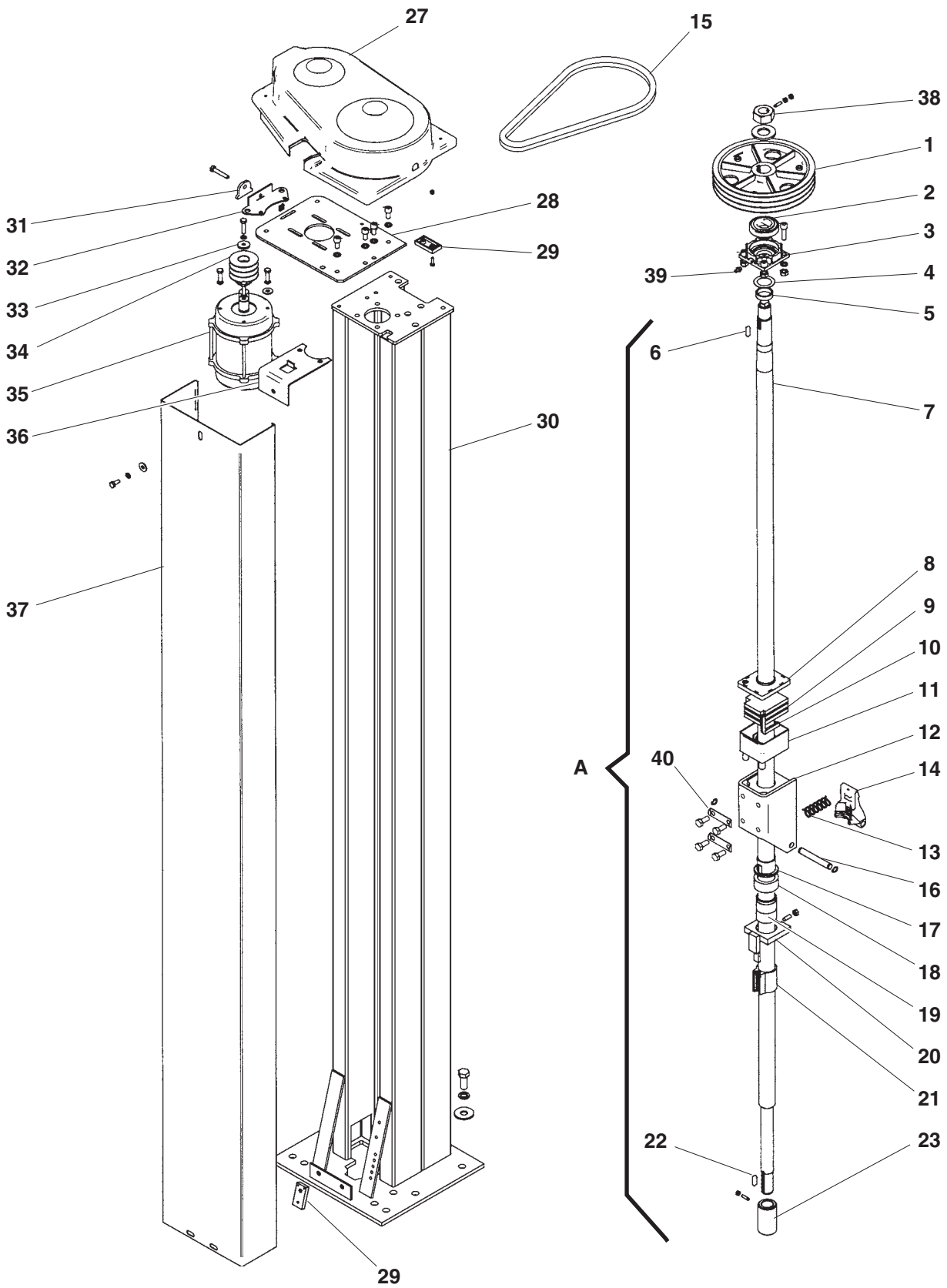


Denominazione tavola – Table definition

# COLONNA OPPOSTA OPPOSITE COLUMN

N° / Indice  
tavola / di modifica  
Table / Change  
no / index

## 2C/0





Denominazione tavola – Table definition

**COLONNA OPPOSTA  
OPPOSITE COLUMN**N° / Indice  
tavola / di modifica  
Table / Change  
no / index**2C/0**

| RIF.<br>REF | CODICE<br>CODE | DESCRIZIONE<br>DESCRIPTION      | APPLICAZIONE<br>APPLICATION    |
|-------------|----------------|---------------------------------|--------------------------------|
| 1           | 047018360      | PULEGGIA D.250 3 GOLE           | 3-RACE PULLEY DIAM. 250        |
| 2           | 607503         | CUSCINETTO 30207                | BEARING                        |
| 3           | 047018540      | SUPPORTO CUSCINETTO             | BEARING SUPPORT                |
| 4           | 237402         | RONDELLA SPESSORAMENTO          | SHIM                           |
| 5           | 047018340      | DISTANZIALE                     | SPACER                         |
| 6           | 231047         | CHIAVETTA 8x7x28                | WING                           |
| 7           | 047218130      | VITE TRAINO (A)                 | CARRIAGE DRIVE SCREW (A)       |
| 8           | 047018610      | COPERCHIO VASCHETTA (A)         | LUBR. TRAY COVER (A)           |
| 9           | 047018620      | FELTRO LUBRIFICAZIONE (A)       | LUBRICATION FELT (A)           |
| 10          | 047018630      | STOPPINO (A)                    | WICK (A)                       |
| 11          | 047018601      | VASCHETTA OLIO (A)              | LUBRICATION TRAY (A)           |
| 12          | 047018144      | SUPPORTO BUSTA LUNGA (A)        | LONG BAG SUPPORT (A)           |
| 13          | 06810517       | MOLLA (A)                       | SPRING (A)                     |
| 14          | 047018760      | ARRESTO MECCANICO (A)           | MECHANICAL STOP (A)            |
| 15          | 412126         | CINGHIA TRAPEZ. A37             | V-BELT A37                     |
| 16          | 047018180      | PERNO FULCRO ARRESTO (A)        | STOP FULCRUM PIN (A)           |
| 17          | 047018640      | BOCCOLA GUIDA VITE (A)          | SCREW GUIDE BUSH (A)           |
| 18          | 047018381      | DISTANZIALE BUSTA LARGO (A)     | WIDE BAG SPACER (A)            |
| 19          | 047218320      | BUSTA LUNGA SINISTRA (A)        | LH LONG BAG (A)                |
| 20          | 047018090      | GUIDA BUSTA (A)                 | BAG GUIDE (A)                  |
| 21          | 047218340      | CONTROBUSTA LUNGA SINISTRA (A)  | LH LONG COUNTER BAG (A)        |
| 22          | 231004         | CHIAVETTA                       | WING                           |
| 23          | 047018320      | GIUNTO PER VITE                 | SCREW JOINT                    |
| 27          | 047019010      | CARTER PULEGGE                  | PULLEY GUARD                   |
| 28          | 047219070      | SUPPORTO MOTORE                 | MOTOR MOUNT                    |
| 29          | 047019561      | DISTANZIALE F.C.                | SPACER                         |
| 30          | 047010520      | COLONNA                         | STAND                          |
| 31          | 047219090      | AGGANCIO TENDITORE              | IDLER COUPLING                 |
| 32          | 04640583RG     | TENDITORE                       | IDLER                          |
| 33          | 237065         | RONDELLA                        | WASHER                         |
| 34          | 047218260      | PULLEGGIA PICCOLA 3 GOLE        | SMALL 3-RACE PULLEY            |
| 35          | 900003060      | MOTORE 220/380V 50Hz 2,6kW IP44 | MOTOR 220/380V 50Hz 2,6kW IP44 |
| 36          | 047213030      | SUPPORTO CARTER                 | GUARD SUPPORT                  |
| 37          | 047213020      | CARTER COLONNA OPPOSTA          | OPPOSITE COLUMN GUARD          |
| 38          | 047018331      | DADO SUPERIORE VITE             | UPPER NUT                      |
| 39          | 299097         | INGRASSATORE DIRITTO M8         | STRAIGHT GREASER               |
| 40          | 052520250      | PIASTRINO ANTISVITAMENTO        | PLATE PREVENTING LOOSENING     |
| A           | 047298170      | INS. VITE MONTATA SX            | SX SCREW ASSY FITTED           |

TUTTI I MODELLI-ALL MODELS\*

8-07-2010

(\*) Vedi intestazione: "Valida per i modelli" (INDICE DELLE TAVOLE) - See: "Apply to models" (INDEX OF SPARE PARTS TABLES)

0472-R012-7

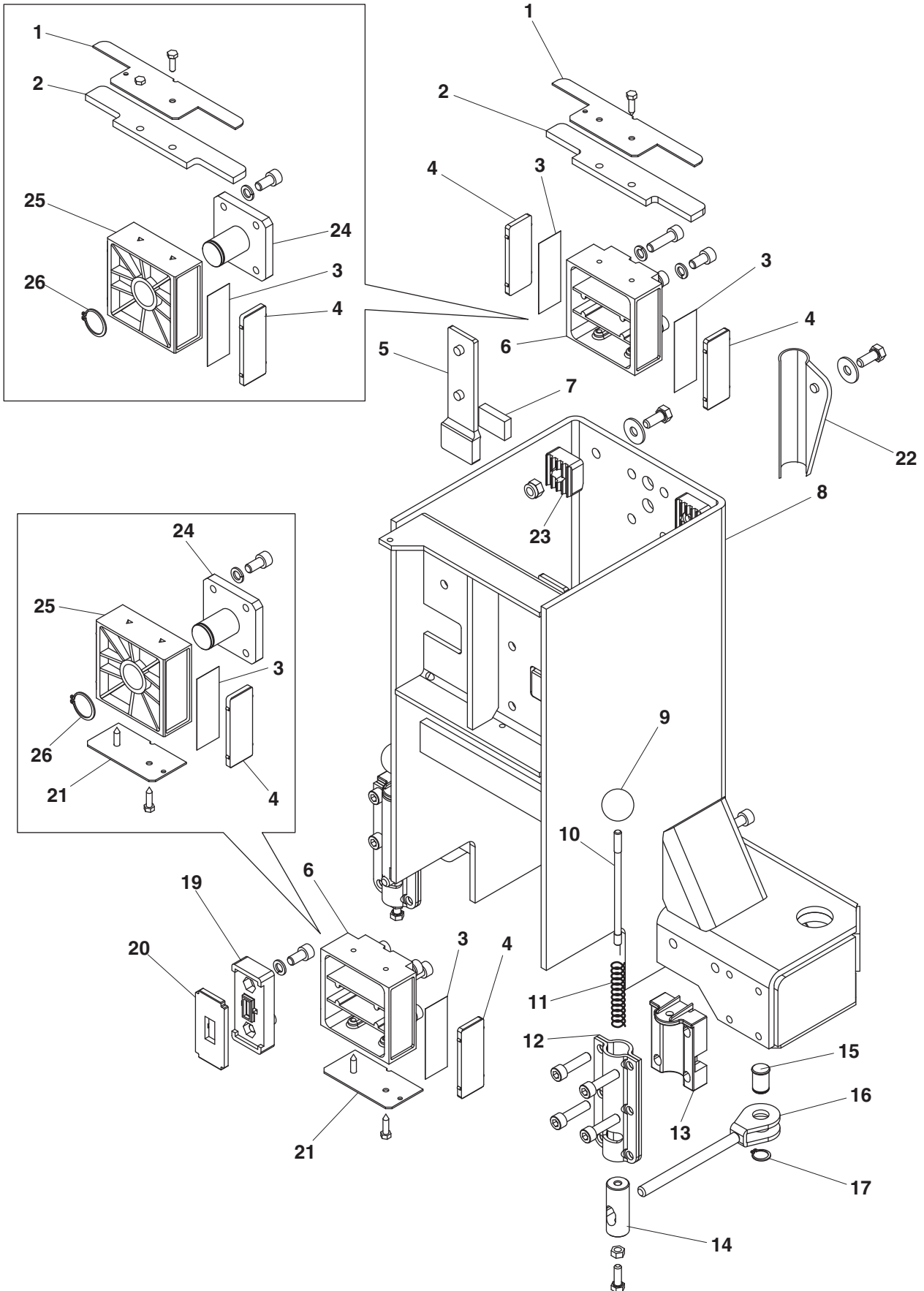


Denominazione tavola – Table definition

# CARRELLO CARRIAGE

N° / Indice  
tavola / di modifica  
Table / Change  
no / index

3/0





Denominazione tavola – Table definition

**CARRELLO  
CARRIAGE**N° / Indice  
tavola / di modifica  
Table / Change  
no / index**3/0**

| RIF.<br>REF | CODICE<br>CODE | DESCRIZIONE<br>DESCRIPTION                                 | APPLICAZIONE<br>APPLICATION       |
|-------------|----------------|--|-----------------------------------|
| 1           | 121KP233       | PIATTO FERMA FELTRO<br>PLATE                               |                                   |
| 2           | 121KP0220      | FELTRO SUPERIORE<br>UPPER FELT                             |                                   |
| 3           | 047011170      | SPESSORE PER PATTINI<br>THICKNESS                          | TUTTI I MODELLI-ALL MODELS*       |
| 4           | 121KP229       | PATTINO<br>SLIDING BLOCK                                   |                                   |
| 5           | 047019360      | PATTINO PORTA FELTRO<br>FELT SLIDING BLOCK                 |                                   |
| 6           | 047019350      | SUPPORTO PATTINI CENTRALE<br>MIDDLE SLIDING BLOCK SUPPORT  | KPS224HE-KPS224HER<br>KPS224HEK   |
| 7           | 047019370      | FELTRO POSTERIORE<br>REAR FELT                             |                                   |
| 8           | 047014541      | CARRELLO<br>CARRIAGE                                       |                                   |
| 9           | 903005         | SFERA<br>BALL  |                                   |
| 10          | 046480590      | PRIGIONIERO<br>STUD BOLT                                   |                                   |
| 11          | 046480600      | MOLLA PER ARRESTO BRACCI<br>ARM STOP SPRING                |                                   |
| 12          | 046480552      | ARRESTO BRACCI<br>ARM STOP                                 |                                   |
| 13          | 046480570      | DISTANZIALE ARRESTO BRACCI<br>ARM STOP SPACER              |                                   |
| 14          | 046480560      | PISTONCINO<br>PISTON                                       |                                   |
| 15          | 047021370      | PERNO ARRESTO BRACCI<br>ARM STOP PIN                       | TUTTI I MODELLI-ALL MODELS*       |
| 16          | 047021400      | TIRANTE ARRESTO BRACCI CORTO<br>SHORT ARM STOP TIE ROD     |                                   |
| 17          | 243009         | SEEGER<br>SEEGER   |                                   |
| 19          | 047219020      | PORTAPATTINO GRANDE<br>LARGE SLIDING BLOCK CARRIER         |                                   |
| 20          | 047219010      | PATTINO<br>SLIDING BLOCK                                   |                                   |
| 21          | 121KP00232     | PIATTO FERMA FELTRO<br>PLATE                               |                                   |
| 22          | 047021020      | PROTEZIONE SPORTELLO SX<br>LH GUARD                        |                                   |
|             | 047021010      | PROTEZIONE SPORTELLO DX<br>RH GUARD                        |                                   |
| 23          | 046405991      | PATTINO PICCOLO INTEGRALE<br>SMALL SLIDING SHOE            |                                   |
| 24          | 047019050      | BASE SUPPORTO BASCULANTE<br>SWINGING MOUNT BASE            | KPS234HE-KPS234HEK<br>KPS234HELIK |
| 25          | 121KP5Z212     | SUPPORTO BASCULANTE PATTINO<br>SLIDING SHOE SWINGING MOUNT | KPS234HE-KPS234HEK<br>KPS234HELIK |
| 26          | 243016         | SEEGER<br>SEEGER   | KPS234HE-KPS234HEK<br>KPS234HELIK |

11-04-2006

(\*) Vedi intestazione: "Valida per i modelli" (INDICE DELLE TAVOLE) - See: "Apply to models" (INDEX OF SPARE PARTS TABLES)

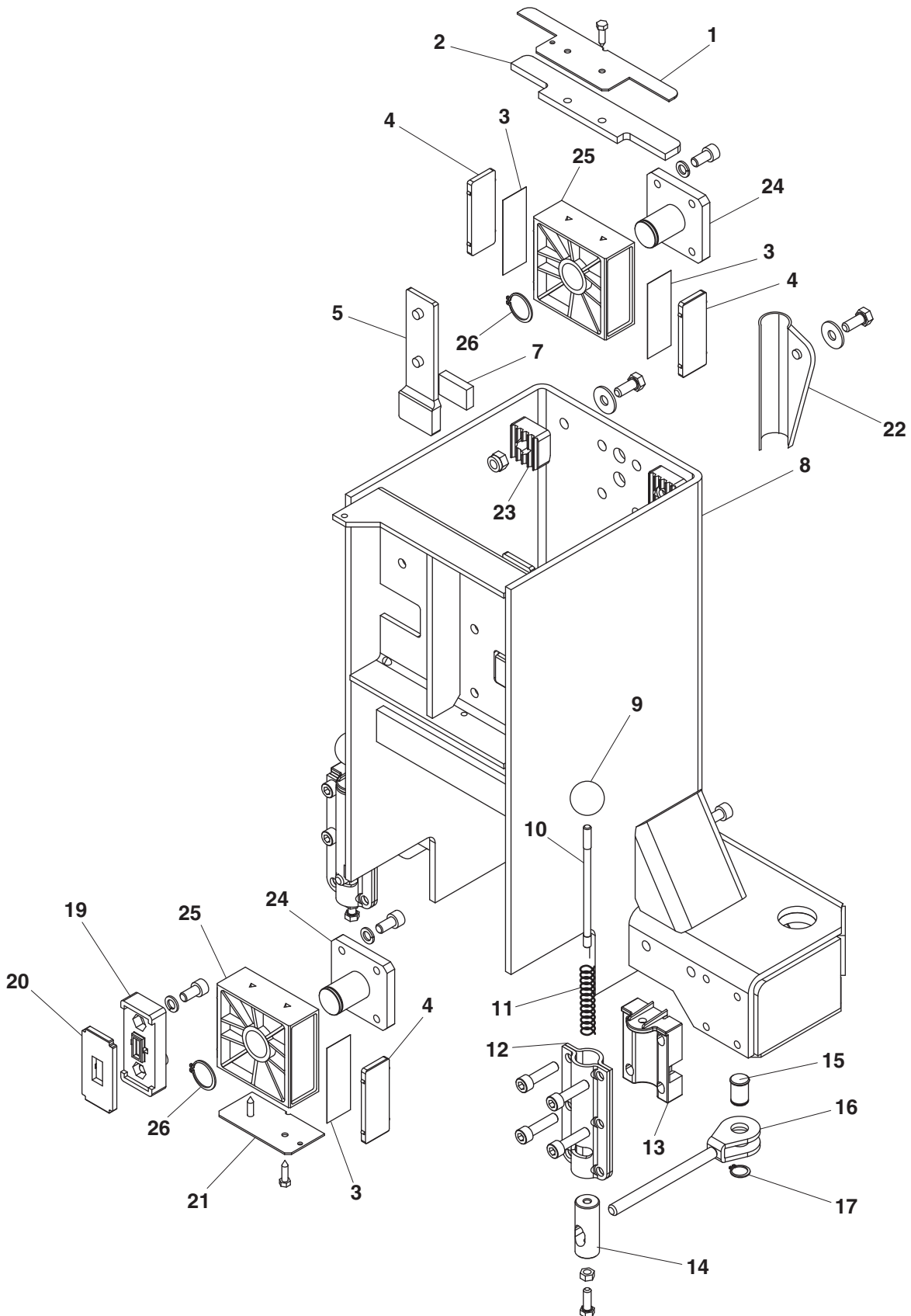


Denominazione tavola – Table definition

# CARRELLO CARRIAGE

N° / Indice  
tavola / di modifica  
Table / Change  
no / index

3/1





Denominazione tavola – Table definition

**CARRELLO  
CARRIAGE**N° / Indice  
tavola / di modifica  
Table / Change  
no / index**3/1**

| RIF.<br>REF | CODICE<br>CODE | DESCRIZIONE<br>DESCRIPTION   | APPLICAZIONE<br>APPLICATION |
|-------------|----------------|------------------------------|-----------------------------|
| 1           | 121KP233       | PIATTO FERMA FELTRO          | PLATE                       |
| 2           | 121KP0220      | FELTRO SUPERIORE             | UPPER FELT                  |
| 3           | 047011170      | SPESSORE PER PATTINI         | THICKNESS                   |
| 4           | 121KP229       | PATTINO                      | SLIDING BLOCK               |
| 5           | 047019360      | PATTINO PORTA FELTRO         | FELT SLIDING BLOCK          |
| 7           | 047019370      | FELTRO POSTERIORE            | REAR FELT                   |
| 8           | 047014541      | CARRELLO                     | CARRIAGE                    |
| 9           | 903005         | SFERA                        | BALL                        |
| 10          | 046480590      | PRIGIONIERO                  | STUD BOLT                   |
| 11          | 046480600      | MOLLA PER ARRESTO BRACCI     | ARM STOP SPRING             |
| 12          | 046480552      | ARRESTO BRACCI               | ARM STOP                    |
| 13          | 046480570      | DISTANZIALE ARRESTO BRACCI   | ARM STOP SPACER             |
| 14          | 046480560      | PISTONCINO                   | PISTON                      |
| 15          | 047021370      | PERNO ARRESTO BRACCI         | ARM STOP PIN                |
| 16          | 047021400      | TIRANTE ARRESTO BRACCI CORTO | SHORT ARM STOP TIE ROD      |
| 17          | 243009         | SEEGER                       | SEEGER                      |
| 19          | 047219020      | PORTAPATTINO GRANDE          | LARGE SLIDING BLOCK CARRIER |
| 20          | 047219010      | PATTINO                      | SLIDING BLOCK               |
| 21          | 121KP00232     | PIATTO FERMA FELTRO          | PLATE                       |
| 22          | 047021020      | PROTEZIONE SPORTELLO SX      | LH GUARD                    |
|             | 047021010      | PROTEZIONE SPORTELLO DX      | RH GUARD                    |
| 23          | 046405991      | PATTINO PICCOLO INTEGRALE    | SMALL SLIDING SHOE          |
| 24          | 047019050      | BASE SUPPORTO BASCULANTE     | SWINGING MOUNT BASE         |
| 25          | 121KP5Z212     | SUPPORTO BASCULANTE PATTINO  | SLIDING SHOE SWINGING MOUNT |
| 26          | 243016         | SEEGER                       | SEEGER                      |

TUTTI I MODELLI-ALL MODELS\*

9-02-2010

(\*) Vedi intestazione: "Valida per i modelli" (INDICE DELLE TAVOLE) - See: "Apply to models" (INDEX OF SPARE PARTS TABLES)

0472-R012-7

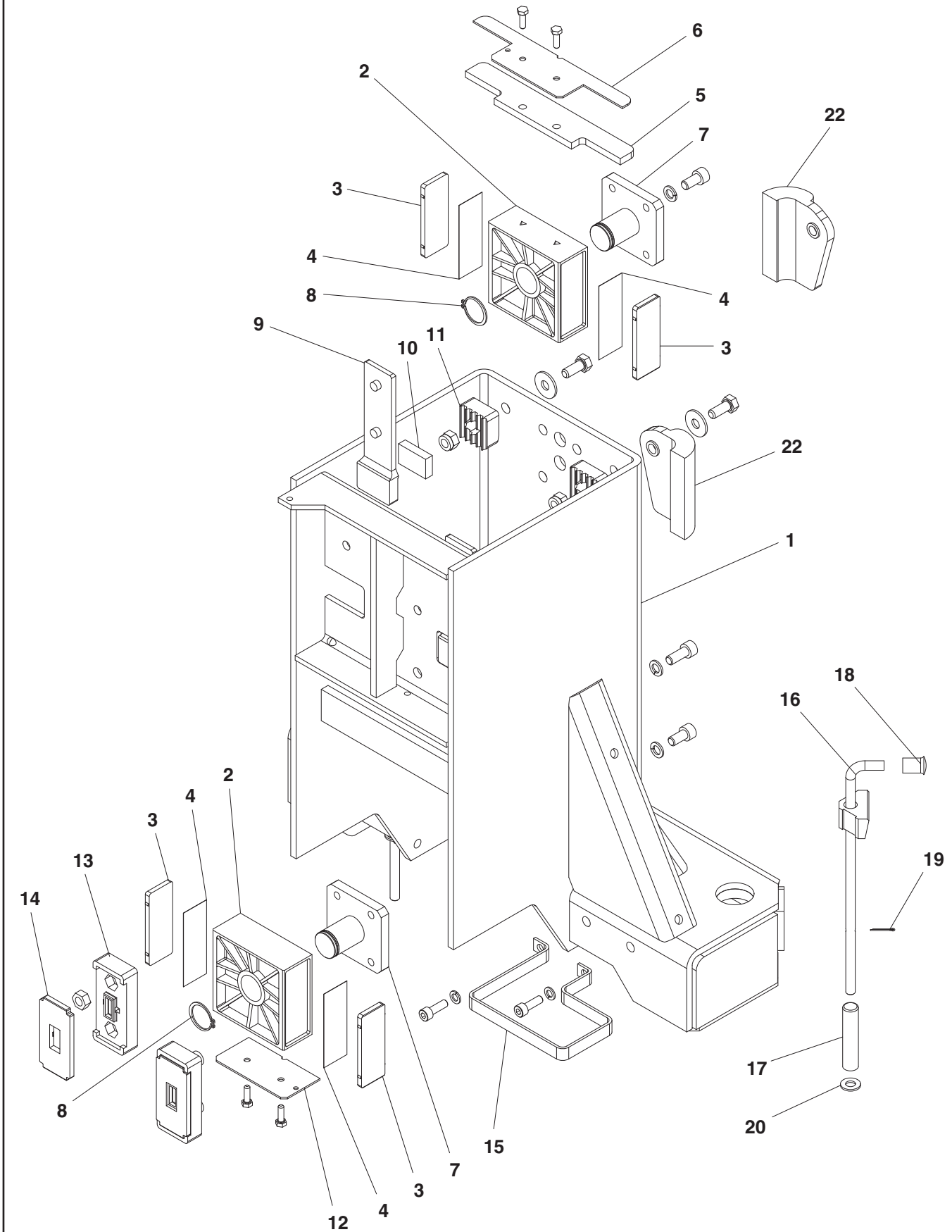


Denominazione tavola – Table definition

# CARRELLO CARRIAGE

N° / Indice  
tavola / di modifica  
Table / Change  
no / index

3/2



0472-R012-7

25-07-2011



Denominazione tavola – Table definition

**CARRELLO  
CARRIAGE**N° / Indice  
tavola / di modifica  
Table / Change  
no / index**3/2**

| RIF.<br>REF | CODICE<br>CODE | DESCRIZIONE<br>DESCRIPTION   | APPLICAZIONE<br>APPLICATION |
|-------------|----------------|--|-----------------------------|
| 1           | 047014542      | CARRELLO<br><i>CARRIAGE</i>  | TUTTI I MODELLI-ALL MODELS* |
| 2           | 121KP5Z212     | SUPPORTO BASCULABILE PER PATTINO<br><i>SLIDING SHOE SWINGING MOUNT</i> |                             |
| 3           | 121KP229       | PATTINO<br><i>SLIDING BLOCK</i>  |                             |
| 4           | 047011170      | SPESSORE PER PATTINI<br><i>THICKNESS</i>                               |                             |
| 5           | 121KP0220      | FELTRO SUPERIORE<br><i>UPPER FELT</i>                                  |                             |
| 6           | 121KP2330      | PIATTO FERMA FELTRO<br><i>PLATE</i>                                    |                             |
| 7           | 047019050      | BASE SUPPORTO BASCULANTE<br><i>SWINGING MOUNT BASE</i>                 |                             |
| 8           | 243016         | SEEGER<br><i>SEEGER</i>  |                             |
| 9           | 047019360      | PATTINO PORTA FELTRO<br><i>FELT SLIDING BLOCK</i>                      |                             |
| 10          | 047019370      | FELTRO POSTERIORE<br><i>REAR FELT</i>                                  |                             |
| 11          | 046405991      | PATTINO PICCOLO INTEGRALE<br><i>SMALL SLIDING SHOE</i>                 |                             |
| 12          | 121KP00232     | PIATTO FERMA FELTRO<br><i>PLATE</i>                                    |                             |
| 13          | 047219020      | PORTAPATTINO GRANDE<br><i>LARGE SLIDING BLOCK CARRIER</i>              |                             |
| 14          | 047219010      | PATTINO<br><i>SLIDING BLOCK</i>  |                             |
| 15          | 047021600      | SALVAPIEDI AL CARRELLO<br><i>FOOT PROTECTION</i>                       |                             |
| 16          | 047221570      | INS. ARR. BRACCIO CARRELLO<br><i>ARM STOP CARRIAGE ASSEMBLY</i>        |                             |
| 17          | 950001480      | MOLLA ARRESTO DENTATO CORTA<br><i>SHORT TOOTHED STOPPER SPRING</i>     |                             |
| 18          | 412086         | GOMMINO<br><i>RUBBER PAD</i>   |                             |
| 19          | 230074         | COPIGLIA 2.5 X 18 ZN<br><i>PINS</i>                                    |                             |
| 20          | 236007         | RONDELLA<br><i>WASHER</i>  |                             |
| 22          | 047021020      | SALVASPORTELLI SINISTRO<br><i>LH GUARD</i>                             |                             |
| 22          | 047021010      | SALVASPORTELLI DESTRO<br><i>RH GUARD</i>                               |                             |

25-07-2011

(\*) Vedi intestazione: "Valida per i modelli" (INDICE DELLE TAVOLE) - See: "Apply to models" (INDEX OF SPARE PARTS TABLES)

0472-R012-7

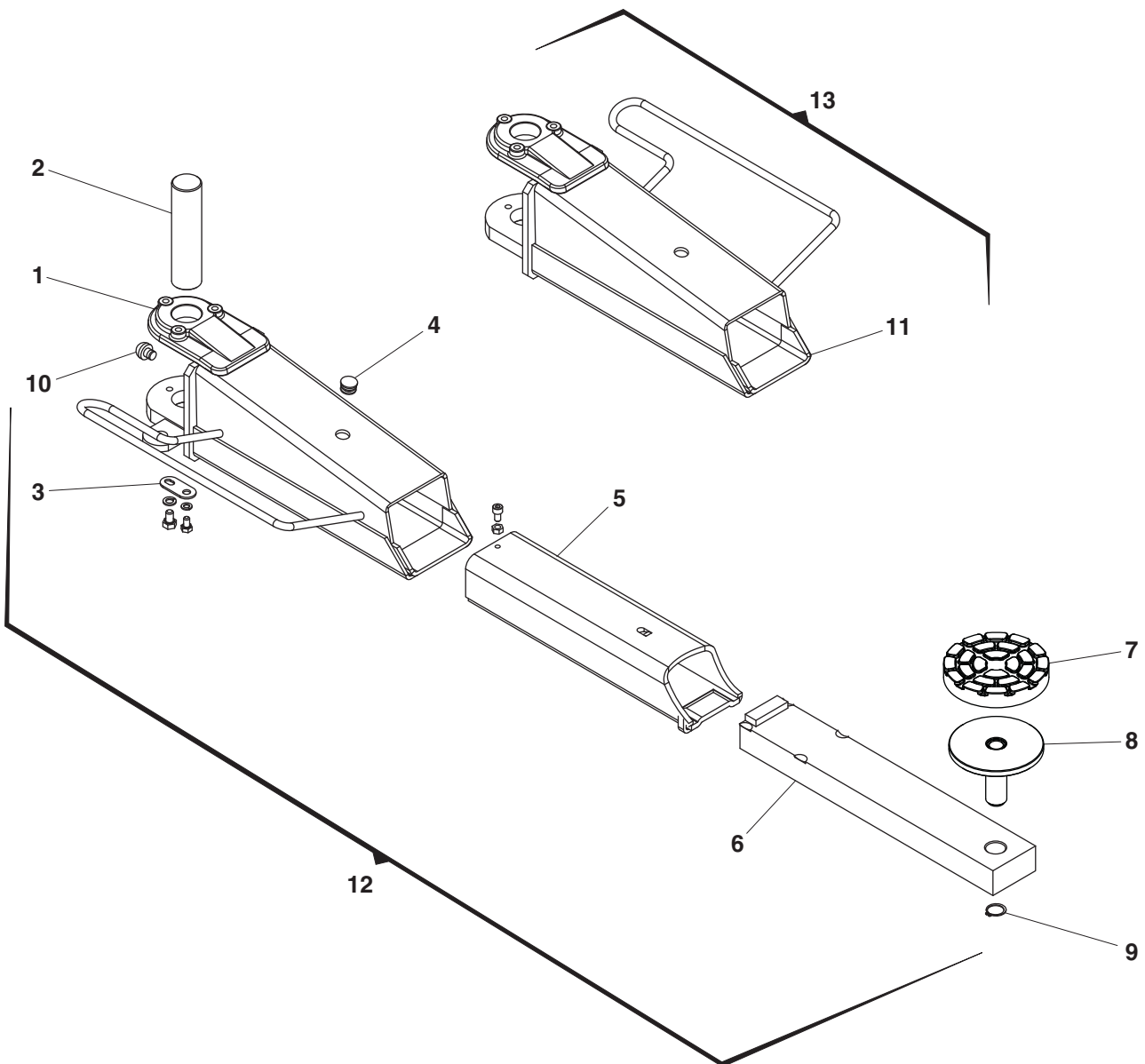


Denominazione tavola – Table definition

# BRACCI CORTI H SHORT ARMS H

N° / Indice  
tavola / di modifica  
Table / Change  
no / index

## 4A/0





Denominazione tavola – Table definition

**BRACCI CORTI H**  
**SHORT ARMS H**N° / Indice  
tavola / di modifica  
Table / Change  
no / index**4A/0**

| RIF.<br>REF | CODICE<br>CODE | DESCRIZIONE<br>DESCRIPTION | APPLICAZIONE<br>APPLICATION |
|-------------|----------------|----------------------------|-----------------------------|
| 1           | 046416201      | BRACCIO CORTO DX           | <i>RH SHORT ARM</i>         |
| 2           | 221KP3Z212     | PERNO FULCRO BRACCI        | <i>ARM PIVOT PIN</i>        |
| 3           | 04640579RG     | ARRESTO PERNO              | <i>PIN STOP</i>             |
| 4           | 413166         | TAPPO                      | <i>PLUG</i>                 |
| 5           | 047016261      | PRIMA PROLUNGA             | <i>FIRST EXTENSION</i>      |
| 6           | 046405954      | SECONDA PROLUNGA           | <i>SECOND EXTENSION</i>     |
| 7           | 046405772      | TAMPONE                    | <i>STOPPER</i>              |
| 8           | 042720041      | INS TAMPONE                | <i>STOPPER ASSEMBLY</i>     |
| 9           | 243012         | SEEGER                     | <i>SNAP RING</i>            |
| 10          | 04640578-      | GOMMINO ARRESTO BRACCI     | <i>ARM STOP RUBBER</i>      |
| 11          | 046416211      | BRACCIO CORTO SX           | <i>LH SHORT ARM</i>         |
| 12          | 047097022      | MTG BRACCIO CORTO DX       | <i>ASS. RH SHORT ARM</i>    |
| 13          | 047097032      | MTG BRACCIO CORTO SX       | <i>ASS. LH SHORT ARM</i>    |

TUTTI I MODELLI-ALL MODELS\*

11-04-2006

(\*) Vedi intestazione: "Valida per i modelli" (INDICE DELLE TAVOLE) - See: "Apply to models" (INDEX OF SPARE PARTS TABLES)

0472-R012-7

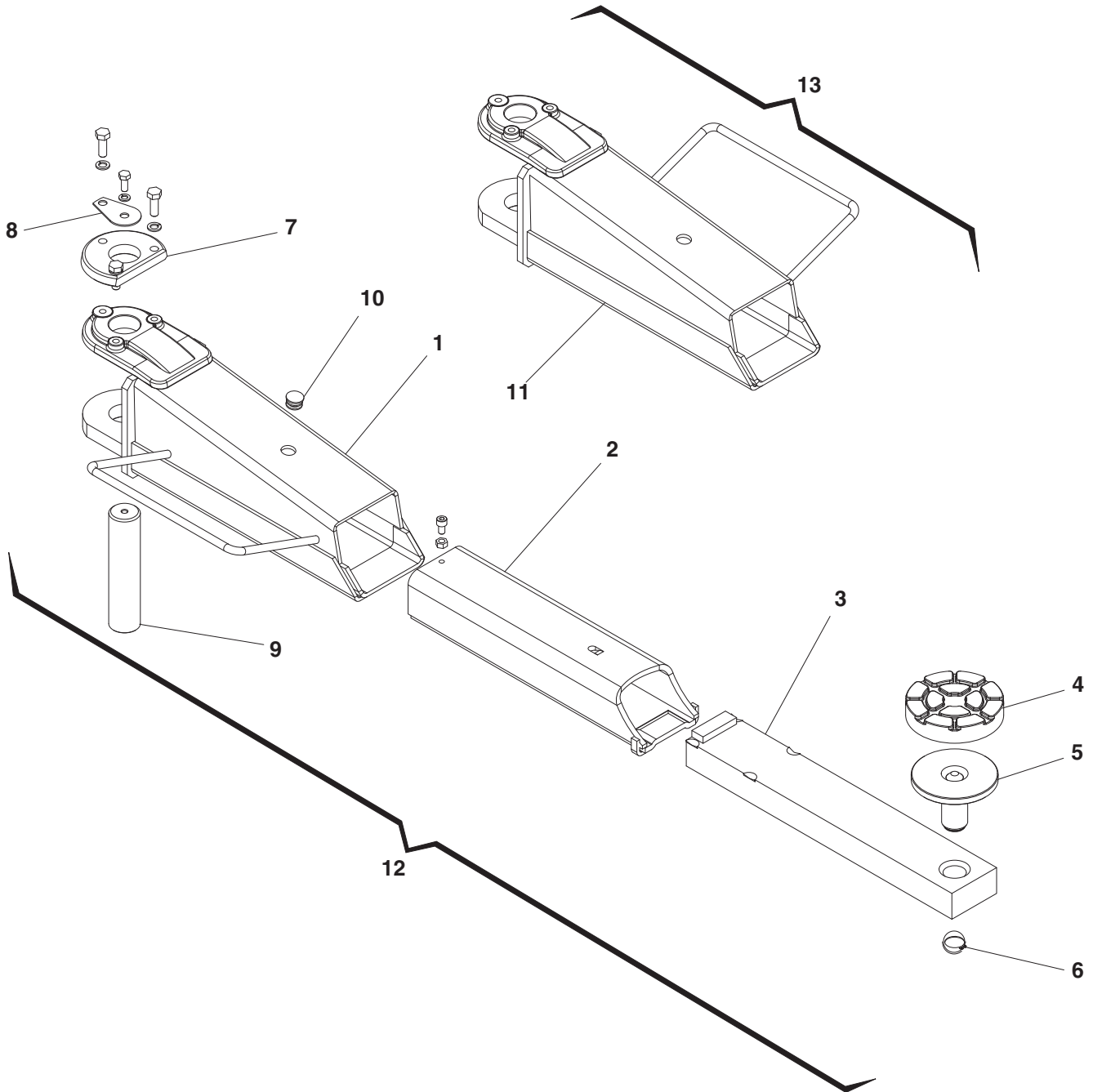


Denominazione tavola – Table definition

# BRACCI CORTI H SHORT ARMS H

N° / Indice  
tavola / di modifica  
Table / Change  
no / index

## 4A/1





Denominazione tavola – Table definition

**BRACCI CORTI H**  
**SHORT ARMS H**N° / Indice  
tavola / di modifica  
Table / Change  
no / index**4A/1**

| RIF.<br>REF | CODICE<br>CODE | DESCRIZIONE<br>DESCRIPTION                            | APPLICAZIONE<br>APPLICATION |
|-------------|----------------|---|-----------------------------|
| 1           | 046406185      | BRACCIO CORTO DX<br><i>RH SHORT ARM</i>               | TUTTI I MODELLI-ALL MODELS* |
| 2           | 047016261      | PRIMA PROLUNGA<br><i>FIRST EXTENSION</i>              |                             |
| 3           | 046405955      | SECONDA PROLUNGA<br><i>SECOND EXTENSION</i>           |                             |
| 4           | 046405772      | TAMPONE<br><i>STOPPER</i>                             |                             |
| 5           | 048417190      | PIATTELLO PER TAMPONE<br><i>STOPPER PLATE</i>         |                             |
| 6           | 243015         | SEEGER<br><i>SNAP RING</i>                            |                             |
| 7           | 047021620      | RUOTA DENTATA ARRESTO BRACCI<br><i>ARM STOP WHEEL</i> |                             |
| 8           | 047021720      | PIASTRINO ARRESTO PERNO<br><i>PIN STOP PLATE</i>      |                             |
| 9           | 047016900      | PERNO<br><i>PIN</i>                                   |                             |
| 10          | 413166         | TAPPO<br><i>PLUG</i>                                  |                             |
| 11          | 046406194      | BRACCIO CORTO SX<br><i>LH SHORT ARM</i>               |                             |
| 12          | 047090457      | MTG BRACCIO CORTO DX<br><i>ASS. RH SHORT ARM</i>      |                             |
| 13          | 047096073      | MTG BRACCIO CORTO SX<br><i>ASS. LH SHORT ARM</i>      |                             |

25-07-2011

(\*) Vedi intestazione: "Valida per i modelli" (INDICE DELLE TAVOLE) - See: "Apply to models" (INDEX OF SPARE PARTS TABLES)

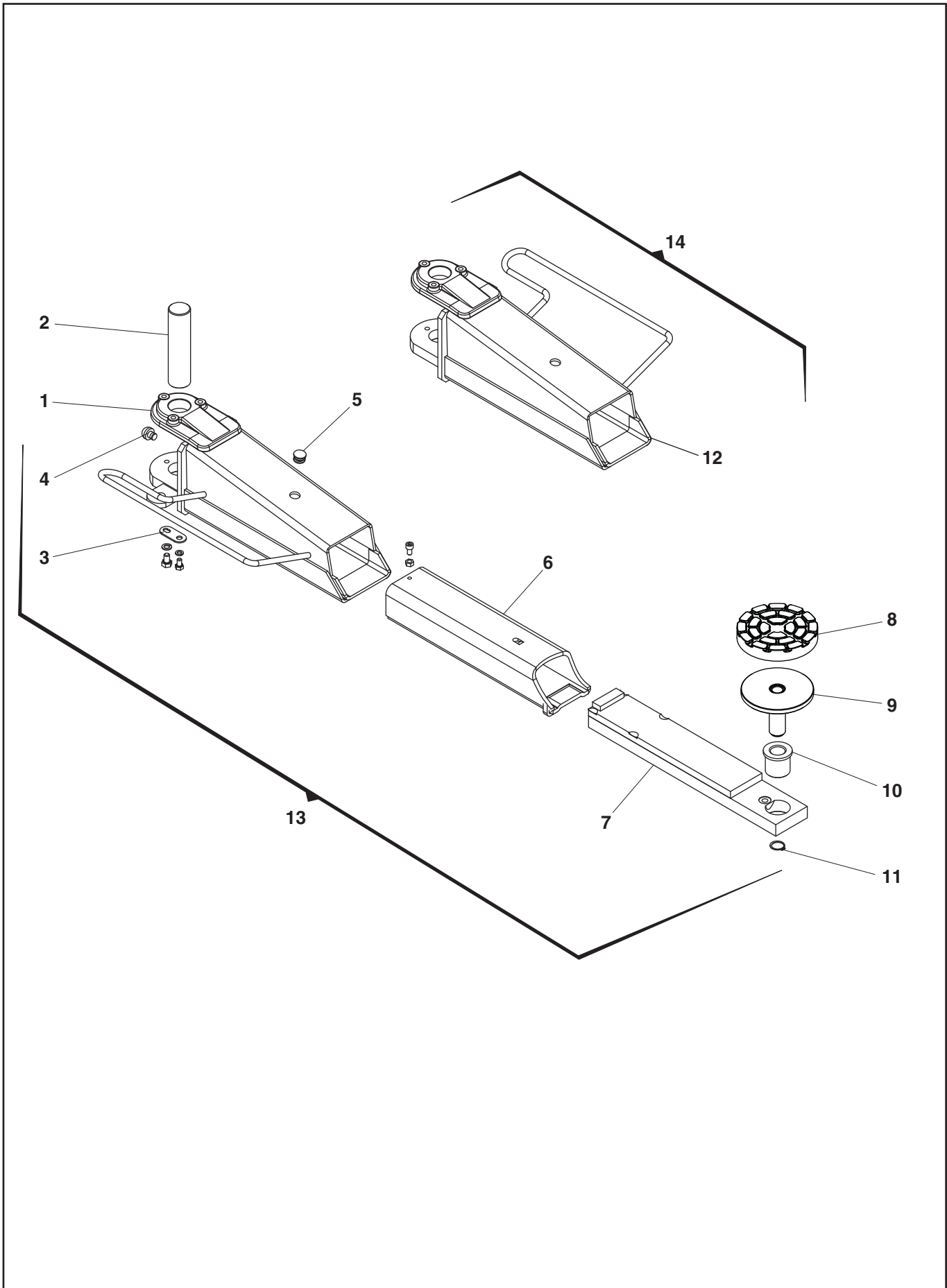


Denominazione tavola – Table definition

**BRACCI CORTI HK**  
**SHORT ARMS HK**

N° / Indice  
tavola / di modifica  
Table / Change  
no / index

**4B/0**





Denominazione tavola – Table definition

**BRACCI CORTI HK**  
**SHORT ARMS HK**N° / Indice  
tavola / di modifica  
Table / Change  
no / index**4B/0**

| RIF.<br>REF | CODICE<br>CODE | DESCRIZIONE<br>DESCRIPTION                        | APPLICAZIONE<br>APPLICATION |
|-------------|----------------|---|-----------------------------|
| 1           | 046416201      | BRACCIO CORTO DX<br><i>RH SHORT ARM</i>           | TUTTI I MODELLI-ALL MODELS* |
| 2           | 221KP3Z212     | PERNO FULCRO BRACCI<br><i>ARM PIVOT PIN</i>       |                             |
| 3           | 04640579RG     | ARRESTO PERNO<br><i>PIN STOP</i>                  |                             |
| 4           | 04640578-      | GOMMINO ARRESTO BRACCI<br><i>ARM STOP RUBBER</i>  |                             |
| 5           | 413166         | TAPPO<br><i>PLUG</i>                              |                             |
| 6           | 047016261      | PRIMA PROLUNGA<br><i>FIRST EXTENSION</i>          |                             |
| 7           | 047016653      | SECONDA PROLUNGA<br><i>SECOND EXTENSION</i>       |                             |
| 8           | 046405772      | TAMPONE<br><i>STOPPER</i>                         |                             |
| 9           | 042720041      | INS TAMPONE<br><i>STOPPER ASSEMBLY</i>            |                             |
| 10          | 046405910      | BOCCOLA FILETTATA<br><i>THREADED BUSHING</i>      |                             |
| 11          | 243012         | SEEGER<br><i>SNAP RING</i>                        |                             |
| 12          | 046416211      | BRACCIO CORTO SX<br><i>LH SHORT ARM</i>           |                             |
| 13          | 047097062      | MTG. BRACCIO CORTO DX<br><i>ASS. RH SHORT ARM</i> |                             |
| 14          | 047097072      | MTG. BRACCIO CORTO SX<br><i>ASS. LH SHORT ARM</i> |                             |

11-04-2006

(\*) Vedi intestazione: "Valida per i modelli" (INDICE DELLE TAVOLE) - See: "Apply to models" (INDEX OF SPARE PARTS TABLES)

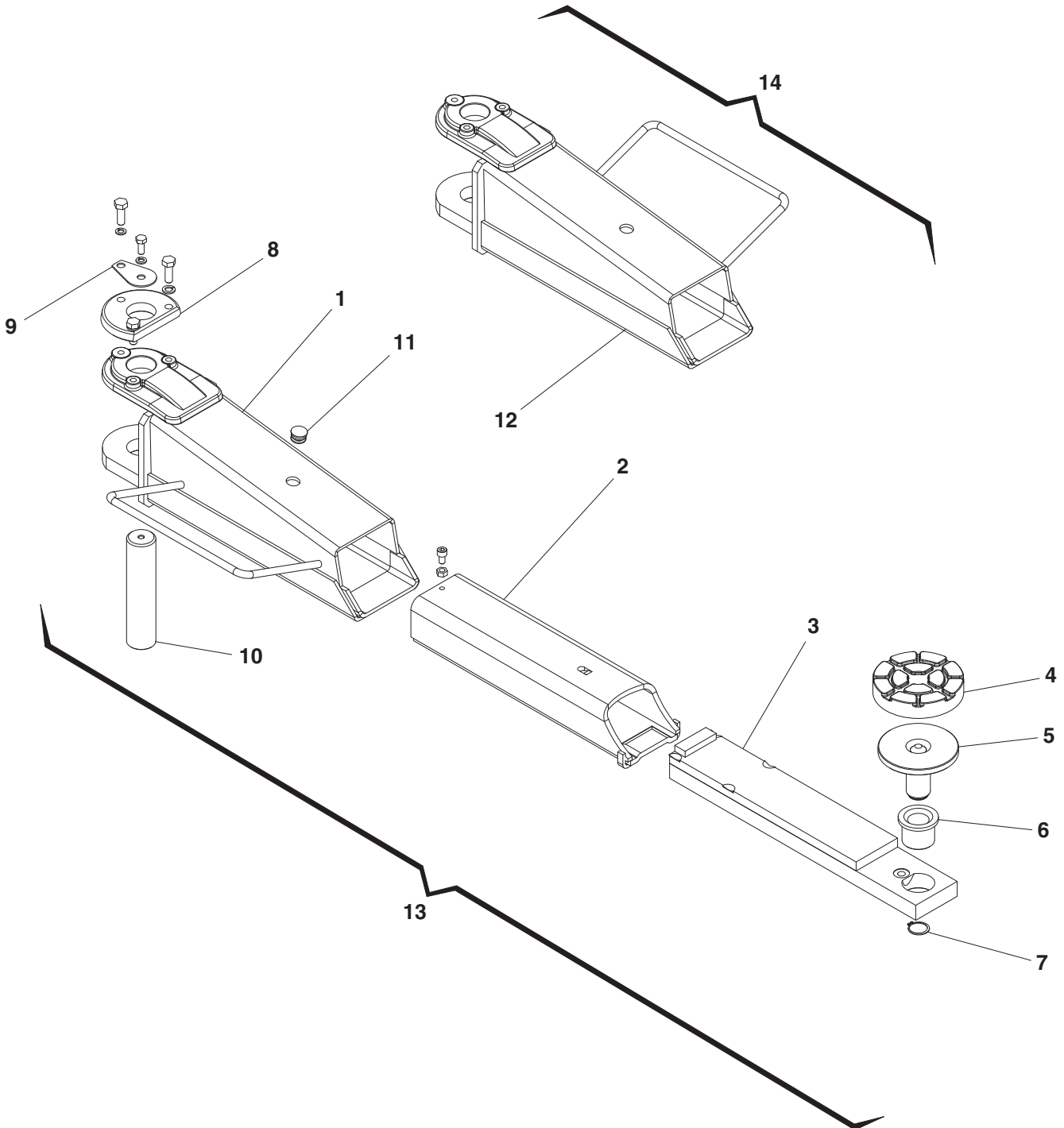


Denominazione tavola – Table definition

**BRACCI CORTI HK**  
**SHORT ARMS HK**

N° / Indice  
tavola / di modifica  
Table / Change  
no / index

**4B/1**





Denominazione tavola – Table definition

**BRACCI CORTI HK**  
**SHORT ARMS HK**N° / Indice  
tavola / di modifica  
Table / Change  
no / index**4B/1**

| RIF.<br>REF | CODICE<br>CODE | DESCRIZIONE<br>DESCRIPTION                            | APPLICAZIONE<br>APPLICATION |
|-------------|----------------|---|-----------------------------|
| 1           | 046406185      | BRACCIO CORTO DX<br><i>RH SHORT ARM</i>               | TUTTI I MODELLI-ALL MODELS* |
| 2           | 047016261      | PRIMA PROLUNGA<br><i>FIRST EXTENSION</i>              |                             |
| 3           | 047016653      | SECONDA PROLUNGA<br><i>SECOND EXTENSION</i>           |                             |
| 4           | 046405772      | TAMPONE<br><i>STOPPER</i>                             |                             |
| 5           | 048417190      | PIATTELLO PER TAMPONE<br><i>STOPPER PLATE</i>         |                             |
| 6           | 048417160      | BOCCOLA FILETTATA<br><i>THREADED BUSHING</i>          |                             |
| 7           | 243015         | SEEGER<br><i>SNAP RING</i>                            |                             |
| 8           | 047021620      | RUOTA DENTATA ARRESTO BRACCI<br><i>ARM STOP WHEEL</i> |                             |
| 9           | 047021720      | PIASTRINO ARRESTO PERNO<br><i>PIN STOP PLATE</i>      |                             |
| 10          | 047016900      | PERNO FULCRO BRACCI<br><i>ARM PIVOT PIN</i>           |                             |
| 11          | 413166         | TAPPO<br><i>PLUG</i>                                  |                             |
| 12          | 046406194      | BRACCIO CORTO SX<br><i>LH SHORT ARM</i>               |                             |
| 13          | 047092524      | MTG. BRACCIO CORTO DX<br><i>ASS. RH SHORT ARM</i>     |                             |
| 14          | 047096023      | MTG. BRACCIO CORTO SX<br><i>ASS. LH SHORT ARM</i>     |                             |

25-07-2011

(\*) Vedi intestazione: "Valida per i modelli" (INDICE DELLE TAVOLE) - See: "Apply to models" (INDEX OF SPARE PARTS TABLES)

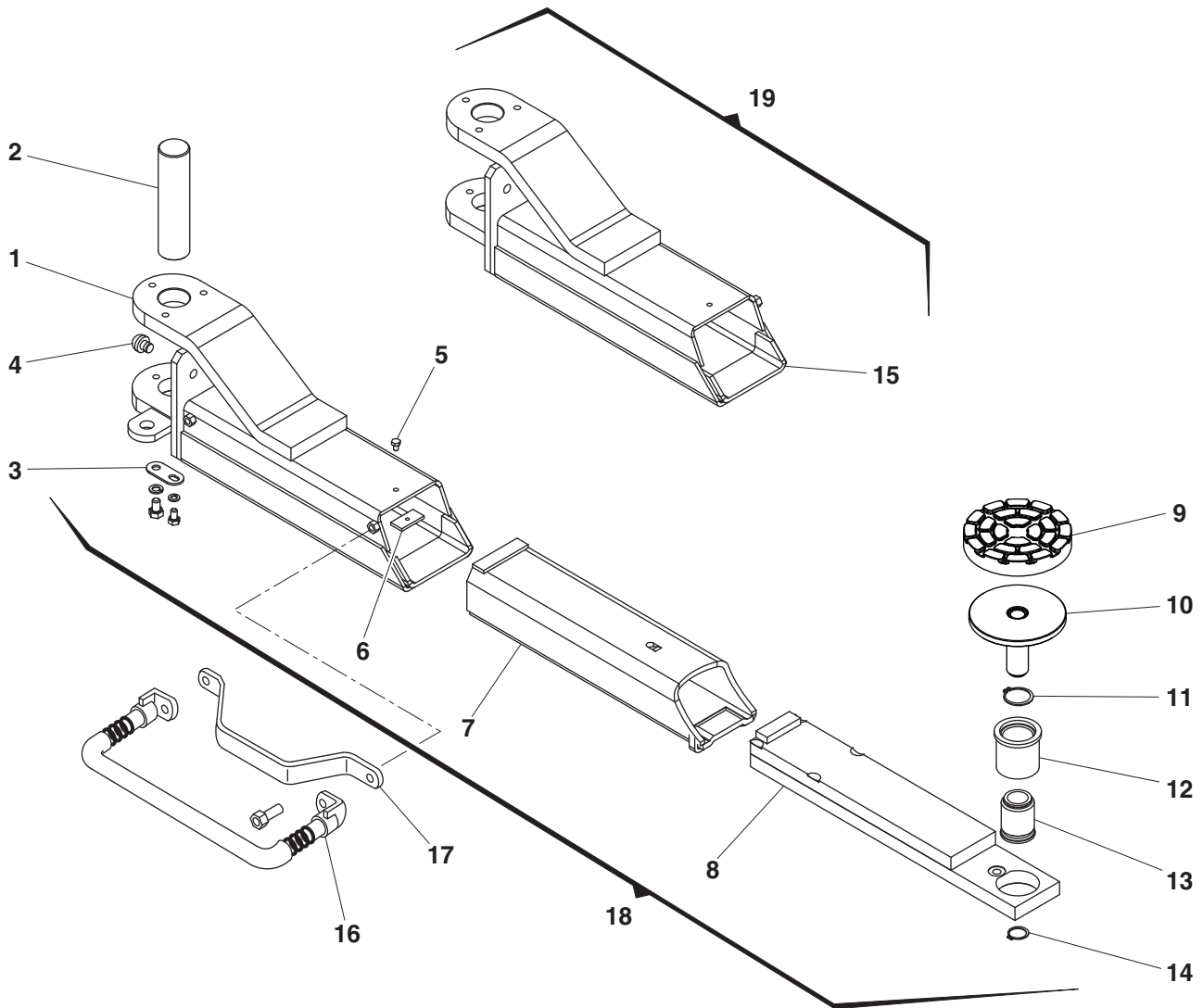


Denominazione tavola – Table definition

**BRACCI CORTI HR**  
**SHORT ARMS HR**

N° / Indice  
tavola / di modifica  
Table / Change  
no / index

**4C/0**





Denominazione tavola – Table definition

**BRACCI CORTI HR**  
**SHORT ARMS HR**N° / Indice  
tavola / di modifica  
Table / Change  
no / index**4C/0**

| RIF.<br>REF | CODICE<br>CODE | DESCRIZIONE<br>DESCRIPTION  | APPLICAZIONE<br>APPLICATION |
|-------------|----------------|---|-----------------------------|
| 1           | 047016433      | BRACCIO CORTO DX<br><i>RH SHORT ARM</i>                             | TUTTI I MODELLI-ALL MODELS* |
| 2           | 221KP3Z212     | PERNO FULCRO BRACCI<br><i>ARM PIVOT PIN</i>                         |                             |
| 3           | 04640579RG     | ARRESTO PERNO<br><i>PIN STOP</i>                                    |                             |
| 4           | 04640578-      | GOMMINO ARRESTO BRACCI<br><i>ARM STOP RUBBER</i>                    |                             |
| 5           | 203012         | VITE<br><i>SCREW</i>  |                             |
| 6           | 04620536-      | PIASTRINO ARRESTO PROLUNGHE<br><i>EXTENSION STOP PLATE</i>          |                             |
| 7           | 047016421      | PRIMA PROLUNGA<br><i>FIRST EXTENSION</i>                            |                             |
| 8           | 047016411      | SECONDA PROLUNGA<br><i>SECOND EXTENSION</i>                         |                             |
| 9           | 046405772      | TAMPONE<br><i>STOPPER</i>   |                             |
| 10          | 046505682      | INS TAMPONE<br><i>STOPPER ASSEMBLY</i>                              |                             |
| 11          | 243017         | SEEGER<br><i>SNAP RING</i>  |                             |
| 12          | 046505650      | BOCCOLA FILETTATA BRACCI RIBAS.<br><i>THRED. BUSH FOR ARMS DOWN</i> |                             |
| 13          | 046505670      | BOC. TELESCOPICA BRACCI RIBAS.<br><i>TEL. BUSH FOR ARMS DOWN</i>    |                             |
| 14          | 243012         | SEEGER<br><i>SNAP RING</i>  |                             |
| 15          | 047016442      | BRACCIO CORTO SX<br><i>LH SHORT ARM</i>                             |                             |
| 16          | 047021290      | SALVAPIEDI<br><i>FOOT PROTECTION</i>                                |                             |
| 17          | 047021300      | SALVAPIEDI INTERNO<br><i>INNER FOOT PROTECTION</i>                  |                             |
| 18          | 047090874      | MTG. BRACCIO CORTO DX<br><i>ASS. RH SHORT ARM</i>                   |                             |
| 19          | 047090884      | MTG. BRACCIO CORTO SX<br><i>ASS. LH SHORT ARM</i>                   |                             |

11-04-2006

(\*) Vedi intestazione: "Valida per i modelli" (INDICE DELLE TAVOLE) - See: "Apply to models" (INDEX OF SPARE PARTS TABLES)

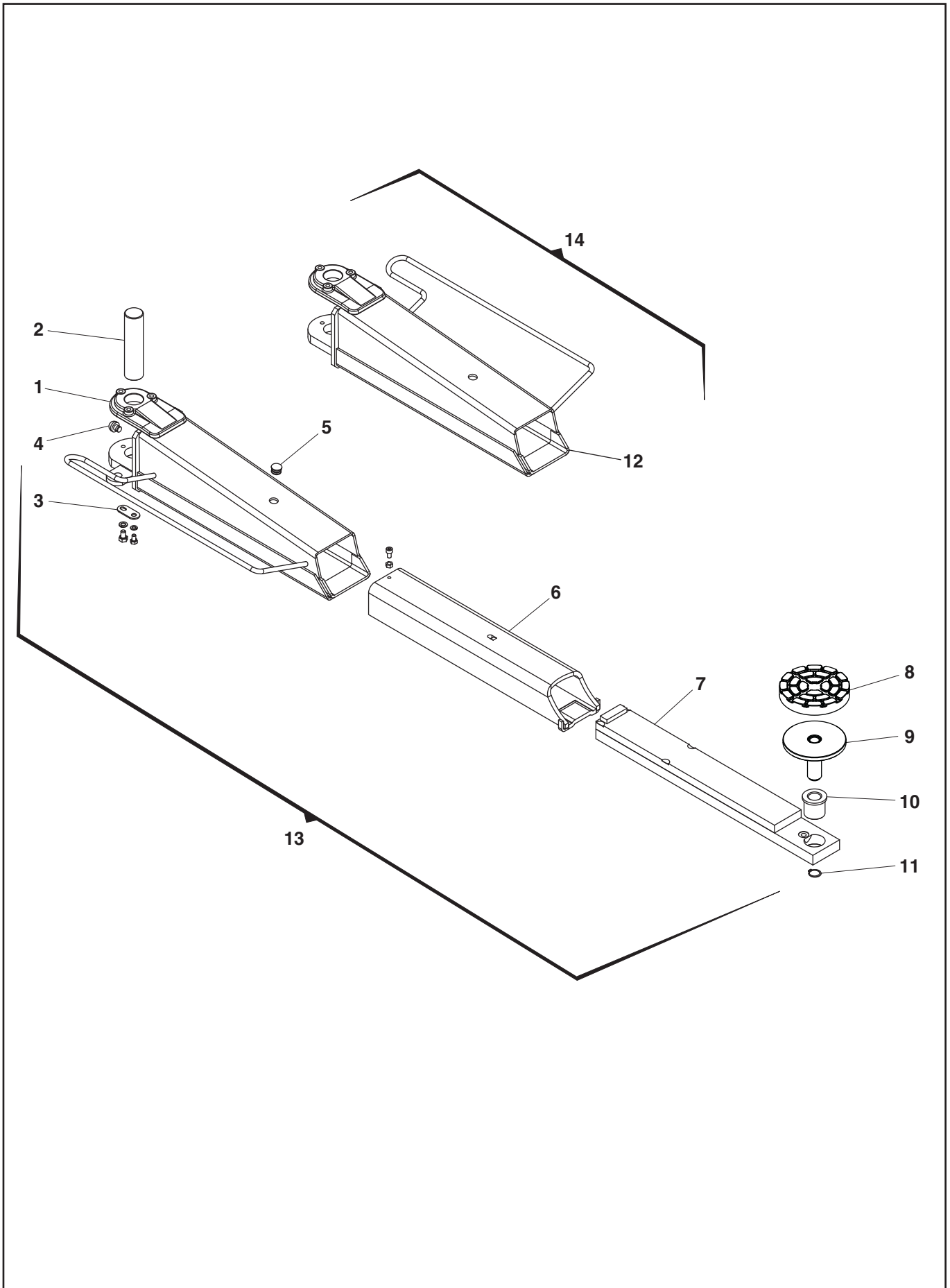


Denominazione tavola – Table definition

**BRACCI HLIK**  
**ARMS HLIK**

N° / Indice  
tavola / di modifica  
Table / Change  
no / index

**5A/0**





Denominazione tavola – Table definition

**BRACCI HLIK**  
**ARMS HLIK**

N° / Indice  
tavola / di modifica  
Table / Change  
no / index

**5A/0**

| RIF.<br>REF | CODICE<br>CODE | DESCRIZIONE<br>DESCRIPTION                       | APPLICAZIONE<br>APPLICATION |
|-------------|----------------|--|-----------------------------|
| 1           | 047016924      | BRACCIO DX<br><i>RH ARM</i>                      | TUTTI I MODELLI-ALL MODELS* |
| 2           | 221KP3Z212     | PERNO FULCRO BRACCI<br><i>ARM PIVOT PIN</i>      |                             |
| 3           | 04640579RG     | ARRESTO PERNO<br><i>PIN STOP</i>                 |                             |
| 4           | 04640578-      | GOMMINO ARRESTO BRACCI<br><i>ARM STOP RUBBER</i> |                             |
| 5           | 413166         | TAPPO<br><i>PLUG</i>                             |                             |
| 6           | 047016930      | PRIMA PROLUNGA<br><i>FIRST EXTENSION</i>         |                             |
| 7           | 047016941      | SECONDA PROLUNGA<br><i>SECOND EXTENSION</i>      |                             |
| 8           | 046405772      | TAMPONE<br><i>STOPPER</i>                        |                             |
| 9           | 042720041      | INS TAMPONE<br><i>STOPPER ASSEMBLY</i>           |                             |
| 10          | 046405910      | BOCCOLA FILETTATA<br><i>THREADED BUSHING</i>     |                             |
| 11          | 243012         | SEEGER<br><i>SNAP RING</i>                       |                             |
| 12          | 047016953      | BRACCIO SX<br><i>LH ARM</i>                      |                             |
| 13          | 047092734      | MTG. BRACCIO DX<br><i>ASS. RH ARM</i>            |                             |
| 14          | 047096053      | MTG. BRACCIO SX<br><i>ASS. LH ARM</i>            |                             |

11-04-2006

(\*) Vedi intestazione: "Valida per i modelli" (INDICE DELLE TAVOLE) - See: "Apply to models" (INDEX OF SPARE PARTS TABLES)

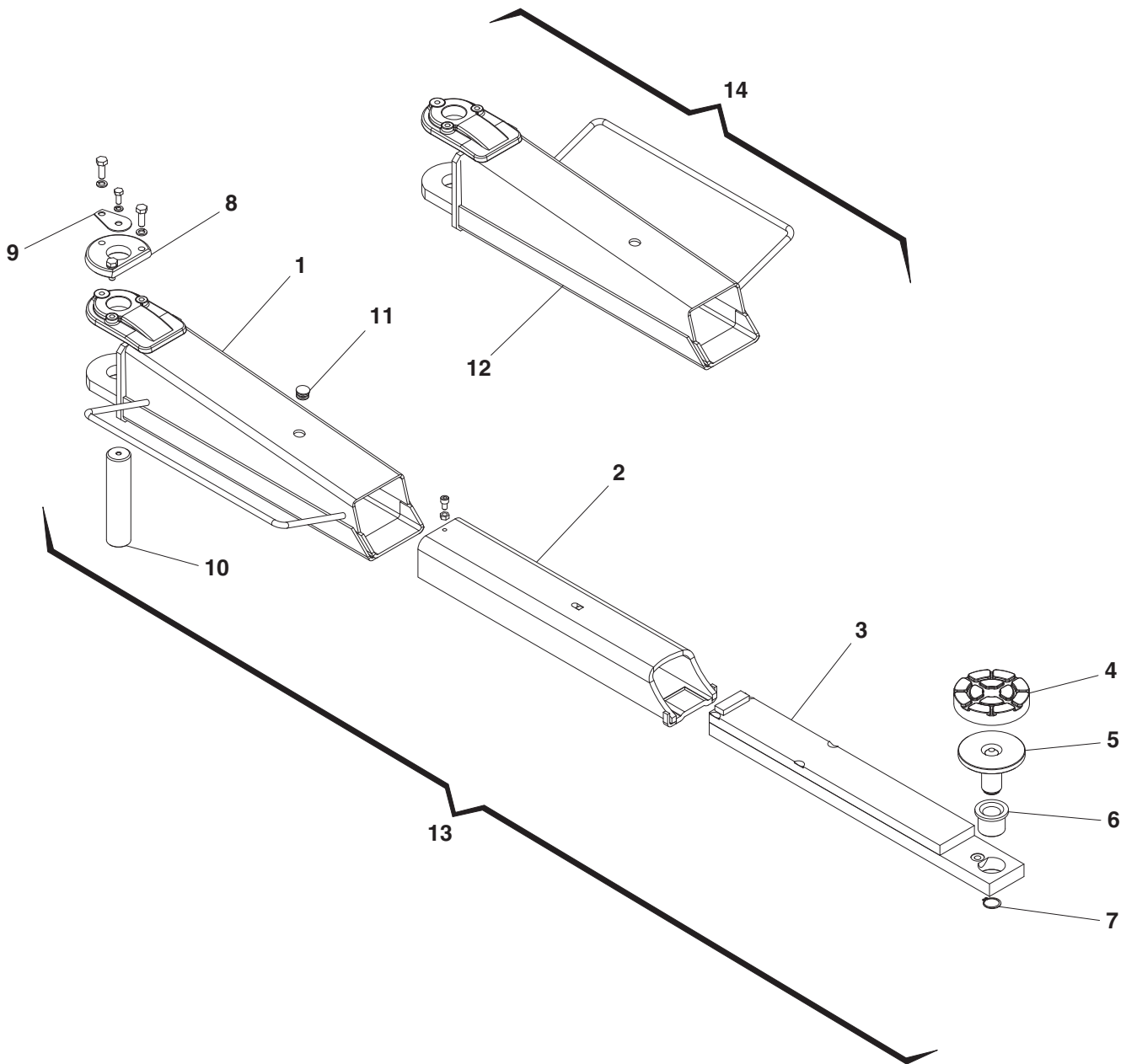


Denominazione tavola – Table definition

**BRACCI HLIK**  
**ARMS HLIK**

N° / Indice  
tavola / di modifica  
Table / Change  
no / index

**5A/1**





Denominazione tavola – Table definition

**BRACCI HLIK**  
**ARMS HLIK**N° / Indice  
tavola / di modifica  
Table / Change  
no / index**5A/1**

| RIF.<br>REF | CODICE<br>CODE | DESCRIZIONE<br>DESCRIPTION                            | APPLICAZIONE<br>APPLICATION |
|-------------|----------------|---|-----------------------------|
| 1           | 047017562      | BRACCIO DX<br><i>RH ARM</i>                           | TUTTI I MODELLI-ALL MODELS* |
| 2           | 047016930      | PRIMA PROLUNGA<br><i>FIRST EXTENSION</i>              |                             |
| 3           | 047016941      | SECONDA PROLUNGA<br><i>SECOND EXTENSION</i>           |                             |
| 4           | 046405772      | TAMPONE<br><i>STOPPER</i>                             |                             |
| 5           | 048417190      | PIATTELLO PER TAMPONE<br><i>STOPPER PLATE</i>         |                             |
| 6           | 048417160      | BOCCOLA FILETTATA<br><i>THREADED BUSHING</i>          |                             |
| 7           | 243015         | SEEGER<br><i>SNAP RING</i>                            |                             |
| 8           | 047021620      | RUOTA DENTATA ARRESTO BRACCI<br><i>ARM STOP WHEEL</i> |                             |
| 9           | 047021720      | PIASTRINO ARRESTO PERNO<br><i>PIN STOP PLATE</i>      |                             |
| 10          | 047016900      | PERNO FULCRO BRACCI<br><i>ARM PIVOT PIN</i>           |                             |
| 11          | 413166         | TAPPO<br><i>PLUG</i>                                  |                             |
| 12          | 047017572      | BRACCIO SX<br><i>LH ARM</i>                           |                             |
| 13          | 047097552      | MTG. BRACCIO DX<br><i>ASS. RH ARM</i>                 |                             |
| 14          | 047097562      | MTG. BRACCIO SX<br><i>ASS. LH ARM</i>                 |                             |

25-07-2011

(\*) Vedi intestazione: "Valida per i modelli" (INDICE DELLE TAVOLE) - See: "Apply to models" (INDEX OF SPARE PARTS TABLES)

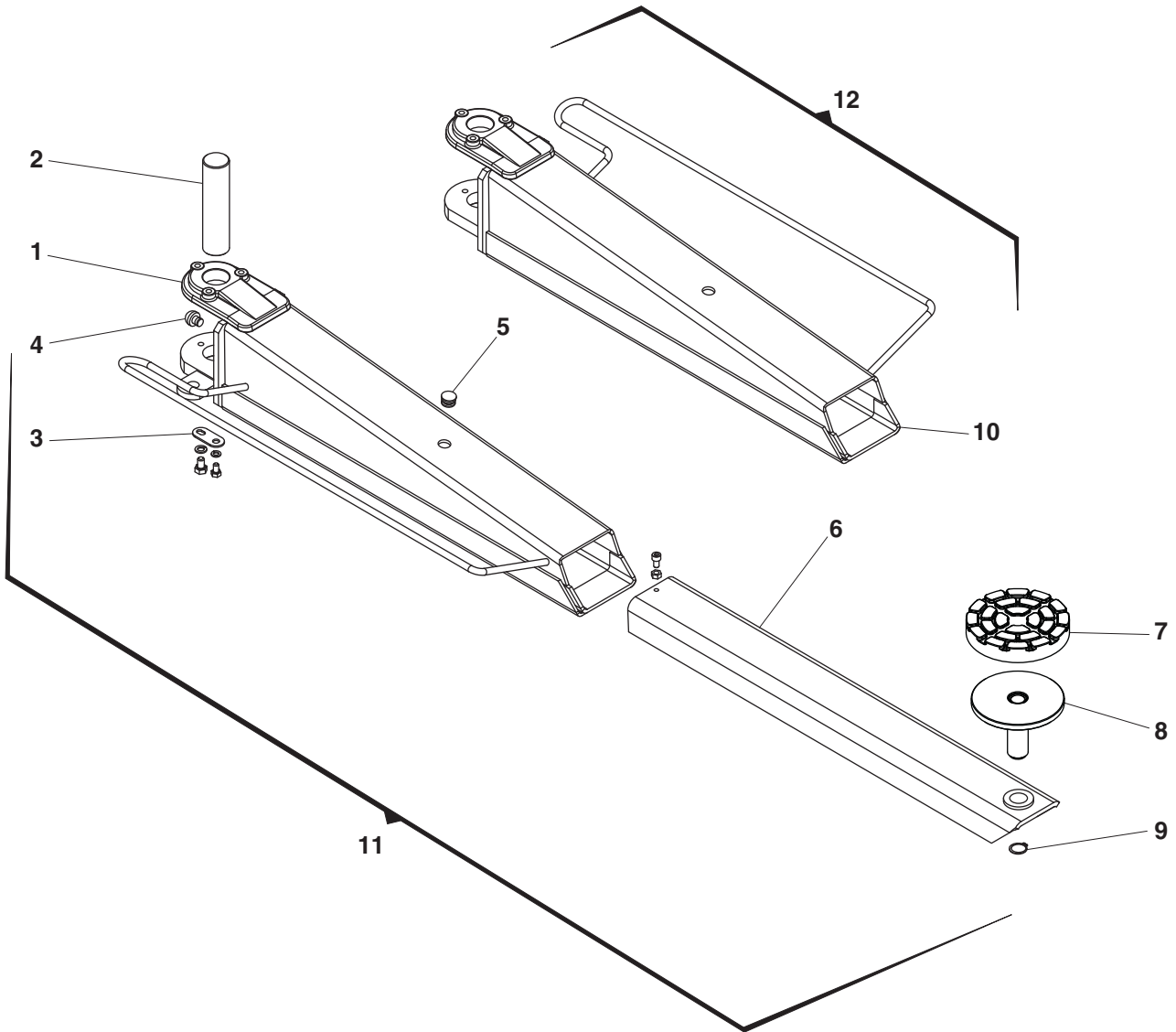


Denominazione tavola – Table definition

**BRACCI LUNGI H**  
**LONGS ARMS H**

N° / Indice  
tavola / di modifica  
Table / Change  
no / index

**5B/0**





Denominazione tavola – Table definition

**BRACCI LUNGI H**  
**LONGS ARMS H**N° / Indice  
tavola / di modifica  
Table / Change  
no / index**5B/0**

| RIF.<br>REF | CODICE<br>CODE | DESCRIZIONE<br>DESCRIPTION                       | APPLICAZIONE<br>APPLICATION |
|-------------|----------------|--|-----------------------------|
| 1           | 046416221      | BRACCIO LUNGO DX<br><i>RH LONG ARM</i>           | TUTTI I MODELLI-ALL MODELS* |
| 2           | 221KP3Z212     | PERNO FULCRO BRACCI<br><i>ARM PIVOT PIN</i>      |                             |
| 3           | 04640579RG     | ARRESTO PERNO<br><i>PIN STOP</i>                 |                             |
| 4           | 04640578-      | GOMMINO ARRESTO BRACCI<br><i>ARM STOP RUBBER</i> |                             |
| 5           | 413166         | TAPPO<br><i>PLUG</i>                             |                             |
| 6           | 046405922      | PROL. BRACCIO LUNGO<br><i>LONG ARM EXTENSION</i> |                             |
| 7           | 046405772      | TAMPONE<br><i>STOPPER</i>                        |                             |
| 8           | 042720041      | INS TAMPONE<br><i>STOPPER ASSEMBLY</i>           |                             |
| 9           | 243012         | SEEGER<br><i>SNAP RING</i>                       |                             |
| 10          | 046416231      | BRACCIO LUNGO SX<br><i>LH LONG ARM</i>           |                             |
| 11          | 047097042      | MTG. BRACCIO LUNGO DX<br><i>ASS. RH LONG ARM</i> |                             |
| 12          | 047097052      | MTG. BRACCIO LUNGO SX<br><i>ASS. LH LONG ARM</i> |                             |

11-04-2006

(\*) Vedi intestazione: "Valida per i modelli" (INDICE DELLE TAVOLE) - See: "Apply to models" (INDEX OF SPARE PARTS TABLES)

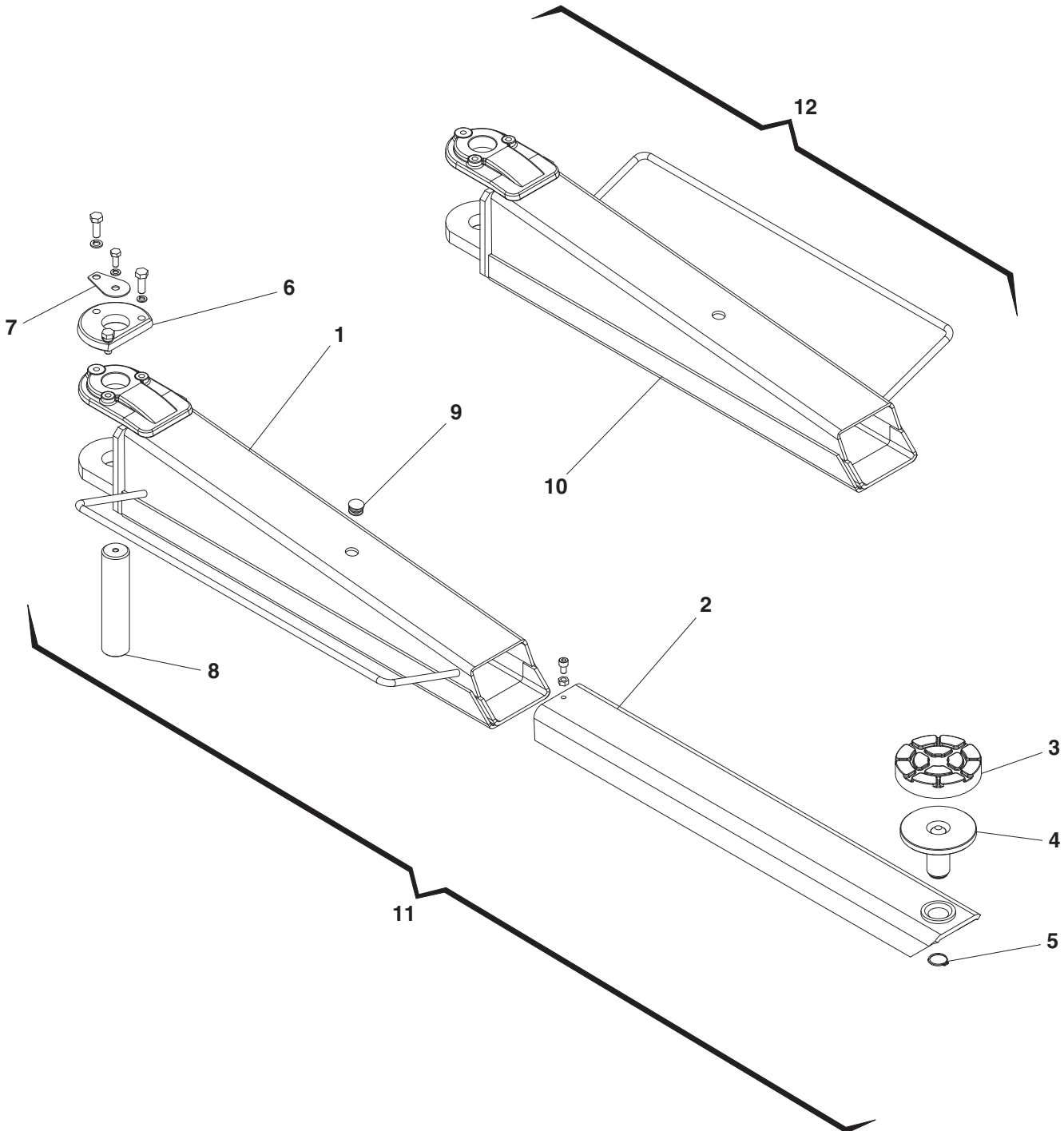


Denominazione tavola – Table definition

**BRACCI LUNGI H**  
**LONGS ARMS H**

N° / Indice  
tavola / di modifica  
Table / Change  
no / index

**5B/1**





Denominazione tavola – Table definition

**BRACCI LUNGI H**  
**LONGS ARMS H**N° / Indice  
tavola / di modifica  
Table / Change  
no / index**5B/1**

| RIF.<br>REF | CODICE<br>CODE | DESCRIZIONE<br>DESCRIPTION   |                    | APPLICAZIONE<br>APPLICATION |
|-------------|----------------|------------------------------|--------------------|-----------------------------|
| 1           | 046406165      | BRACCIO LUNGO DX             | RH LONG ARM        | TUTTI I MODELLI-ALL MODELS* |
| 2           | 046405923      | PROLUNGA BRACCIO LUNGO       | LONG ARM EXTENSION |                             |
| 3           | 046405772      | TAMPONE                      | STOPPER            |                             |
| 4           | 048417190      | PIATTELLO PER TAMPONE        | STOPPER PLATE      |                             |
| 5           | 243015         | SEEGER                       | SNAP RING          |                             |
| 6           | 047021620      | RUOTA DENTATA ARRESTO BRACCI | ARM STOP WHEEL     |                             |
| 7           | 047021720      | PIASTRINO ARRESTO PERNO      | PIN STOP PLATE     |                             |
| 8           | 047016900      | PERNO FULCRO BRACCI          | ARM PIVOT PIN      |                             |
| 9           | 413166         | TAPPO                        | PLUG               |                             |
| 10          | 046406174      | BRACCIO LUNGO SX             | LH LONG ARM        |                             |
| 11          | 047090477      | MTG. BRACCIO LUNGO DX        | ASS. RH LONG ARM   |                             |
| 12          | 047096063      | MTG. BRACCIO LUNGO SX        | ASS. LH LONG ARM   |                             |

25-07-2011

(\*) Vedi intestazione: "Valida per i modelli" (INDICE DELLE TAVOLE) - See: "Apply to models" (INDEX OF SPARE PARTS TABLES)

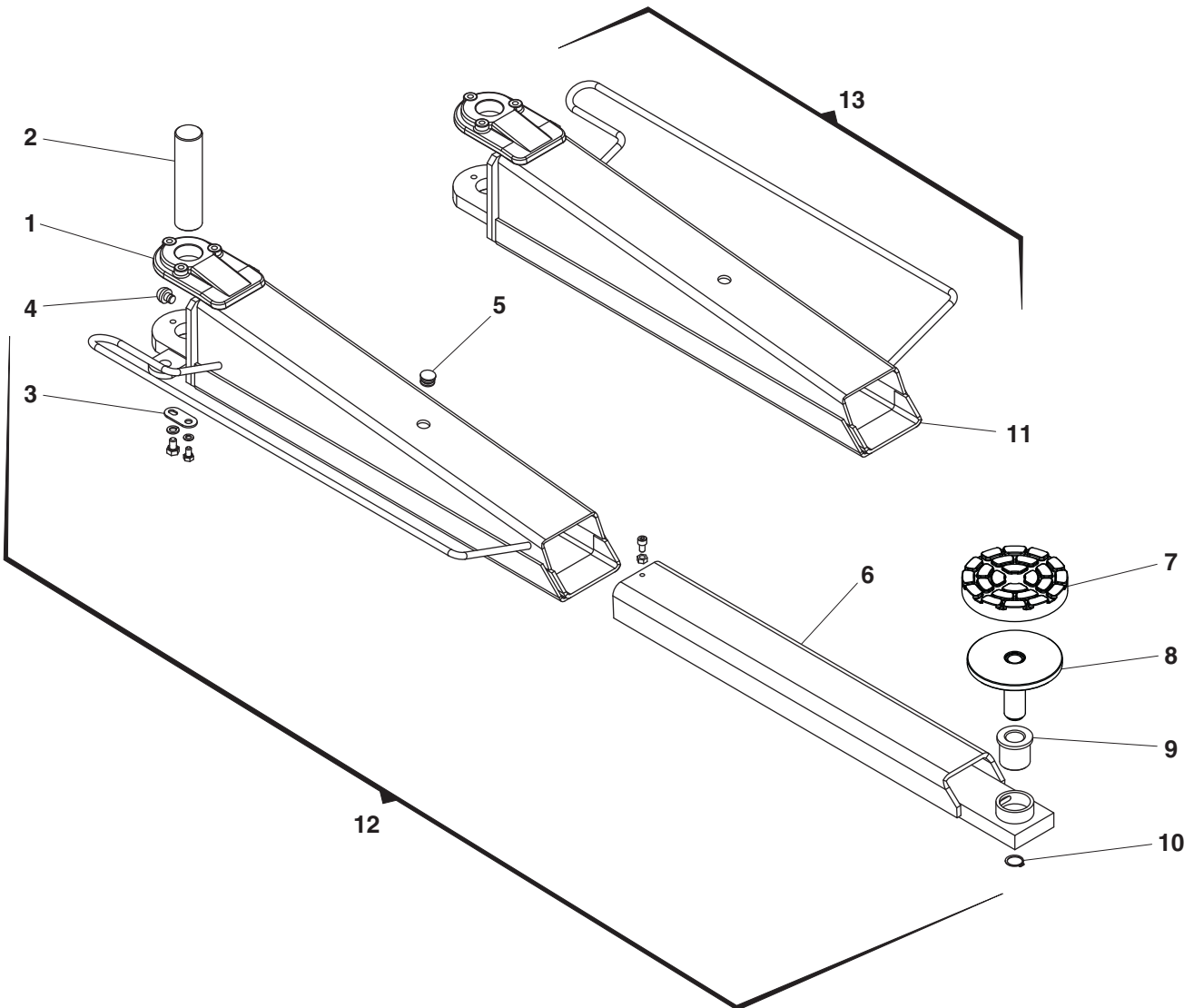


Denominazione tavola – Table definition

**BRACCI LUNGI HK**  
**LONGS ARMS HK**

N° / Indice  
tavola / di modifica  
Table / Change  
no / index

**5C/0**





Denominazione tavola – Table definition

**BRACCI LUNGI HK**  
**LONGS ARMS HK**N° / Indice  
tavola / di modifica  
Table / Change  
no / index**5C/0**

| RIF.<br>REF | CODICE<br>CODE | DESCRIZIONE<br>DESCRIPTION                       | APPLICAZIONE<br>APPLICATION |
|-------------|----------------|--|-----------------------------|
| 1           | 046416221      | BRACCIO LUNGO DX<br><i>RH LONG ARM</i>           | TUTTI I MODELLI-ALL MODELS* |
| 2           | 221KP3Z212     | PERNO FULCRO BRACCI<br><i>ARM PIVOT PIN</i>      |                             |
| 3           | 04640579RG     | ARRESTO PERNO<br><i>PIN STOP</i>                 |                             |
| 4           | 04640578-      | GOMMINO ARRESTO BRACCI<br><i>ARM STOP RUBBER</i> |                             |
| 5           | 413166         | TAPPO<br><i>PLUG</i>                             |                             |
| 6           | 047016642      | PROL. BRACCIO LUNGO<br><i>LONG ARM EXTENSION</i> |                             |
| 7           | 046405772      | TAMPONE<br><i>STOPPER</i>                        |                             |
| 8           | 042720041      | INS TAMPONE<br><i>STOPPER ASSEMBLY</i>           |                             |
| 9           | 046405910      | BOCCOLA FILETTATA<br><i>THREADED BUSHING</i>     |                             |
| 10          | 243012         | SEEGER<br><i>SNAP RING</i>                       |                             |
| 11          | 046416231      | BRACCIO LUNGO SX<br><i>LH LONG ARM</i>           |                             |
| 12          | 047097082      | MTG. BRACCIO LUNGO DX<br><i>ASS. RH LONG ARM</i> |                             |
| 13          | 047097092      | MTG. BRACCIO LUNGO SX<br><i>ASS. LH LONG ARM</i> |                             |

11-04-2006

(\*) Vedi intestazione: "Valida per i modelli" (INDICE DELLE TAVOLE) - See: "Apply to models" (INDEX OF SPARE PARTS TABLES)

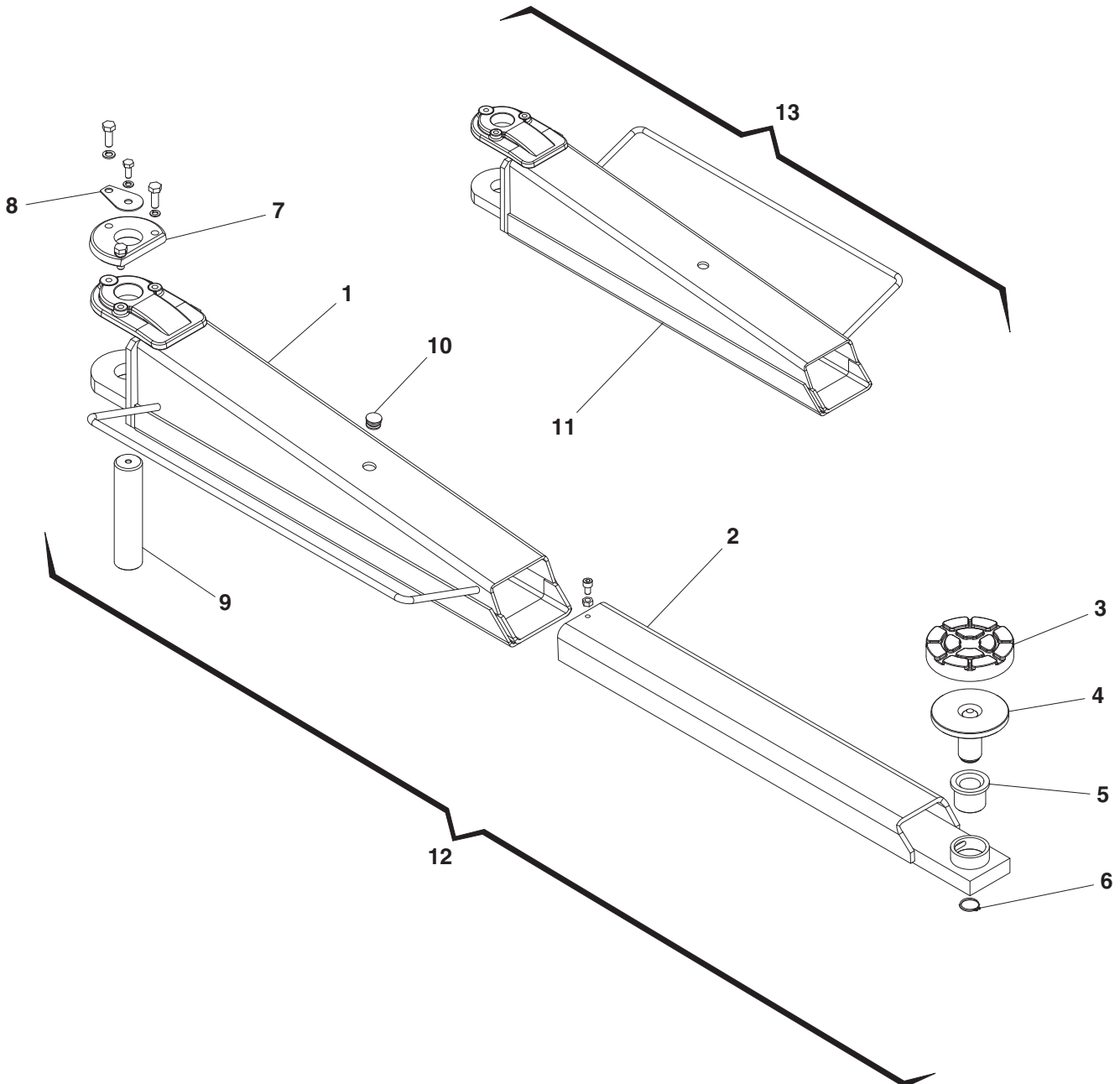


Denominazione tavola – Table definition

**BRACCI LUNGI HK**  
**LONGS ARMS HK**

N° / Indice  
tavola / di modifica  
Table / Change  
no / index

**5C/1**





Denominazione tavola – Table definition

**BRACCI LUNGHI HK**  
**LONGS ARMS HK**N° / Indice  
tavola / di modifica  
Table / Change  
no / index**5C/1**

| RIF.<br>REF | CODICE<br>CODE | DESCRIZIONE<br>DESCRIPTION                            | APPLICAZIONE<br>APPLICATION |
|-------------|----------------|---|-----------------------------|
| 1           | 046406165      | BRACCIO LUNGO DX<br><i>RH LONG ARM</i>                | TUTTI I MODELLI-ALL MODELS* |
| 2           | 047016642      | PROLUNGA BRACCIO LUNGO<br><i>LONG ARM EXTENSION</i>   |                             |
| 3           | 046405772      | TAMPONE<br><i>STOPPER</i>                             |                             |
| 4           | 048417190      | PIATTELLO PER TAMPONE<br><i>STOPPER PLATE</i>         |                             |
| 5           | 048417160      | BOCCOLA FILETTATA<br><i>THREADED BUSHING</i>          |                             |
| 6           | 243015         | SEEGER<br><i>SNAP RING</i>                            |                             |
| 7           | 047021620      | RUOTA DENTATA ARRESTO BRACCI<br><i>ARM STOP WHEEL</i> |                             |
| 8           | 047021720      | PIASTRINO ARRESTO PERNO<br><i>PIN STOP PLATE</i>      |                             |
| 9           | 047016900      | PERNO FULCRO BRACCI<br><i>ARM PIVOT PIN</i>           |                             |
| 10          | 413166         | TAPPO<br><i>PLUG</i>                                  |                             |
| 11          | 046406174      | BRACCIO LUNGO SX<br><i>LH LONG ARM</i>                |                             |
| 12          | 047092534      | MTG. BRACCIO LUNGO DX<br><i>ASS. RH LONG ARM</i>      |                             |
| 13          | 047096033      | MTG. BRACCIO LUNGO SX<br><i>ASS. LH LONG ARM</i>      |                             |

25-07-2011

(\*) Vedi intestazione: "Valida per i modelli" (INDICE DELLE TAVOLE) - See: "Apply to models" (INDEX OF SPARE PARTS TABLES)

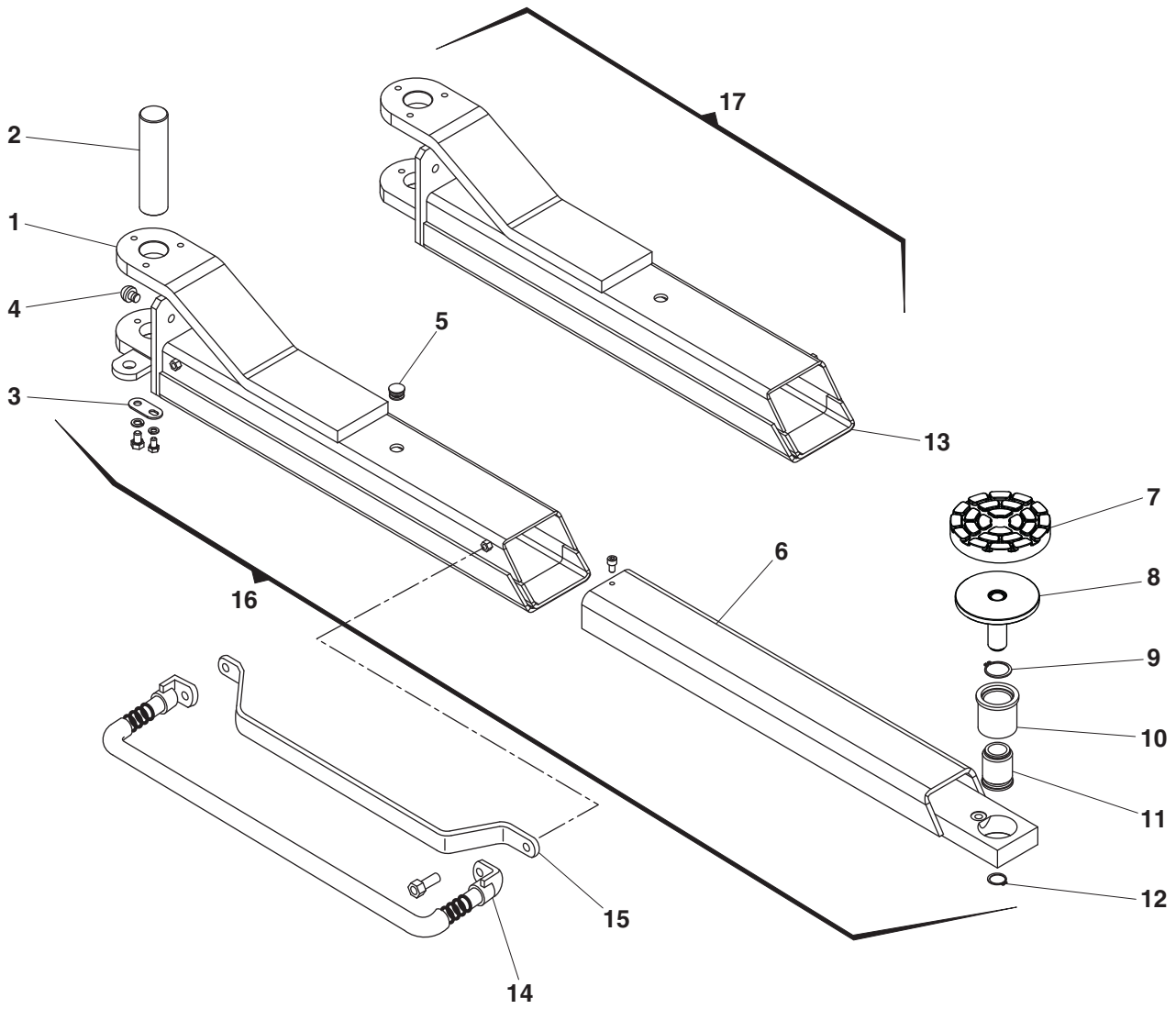


Denominazione tavola – Table definition

**BRACCI LUNGI HR**  
**LONGS ARMS HR**

N° / Indice  
tavola / di modifica  
Table / Change  
no / index

**5D/0**



11-04-2006



Denominazione tavola – Table definition

**BRACCI LUNGI HR**  
**LONGS ARMS HR**N° / Indice  
tavola / di modifica  
Table / Change  
no / index**5D/0**

| RIF.<br>REF | CODICE<br>CODE | DESCRIZIONE<br>DESCRIPTION  | APPLICAZIONE<br>APPLICATION |
|-------------|----------------|---|-----------------------------|
| 1           | 047016461      | BRACCIO LUNGO DX<br><i>RH LONG ARM</i>                              | TUTTI I MODELLI-ALL MODELS* |
| 2           | 221KP3Z212     | PERNO FULCRO BRACCI<br><i>ARM PIVOT PIN</i>                         |                             |
| 3           | 04640579RG     | ARRESTO PERNO<br><i>PIN STOP</i>                                    |                             |
| 4           | 04640578-      | GOMMINO ARRESTO BRACCI<br><i>ARM STOP RUBBER</i>                    |                             |
| 5           | 413166         | TAPPO<br><i>PLUG</i>  |                             |
| 6           | 047016450      | PROL. BRACCIO LUNGO<br><i>LONG ARM EXTENSION</i>                    |                             |
| 7           | 046405772      | TAMPONE<br><i>STOPPER</i>   |                             |
| 8           | 046505682      | INS TAMPONE<br><i>STOPPER ASSEMBLY</i>                              |                             |
| 9           | 243017         | SEEGER<br><i>SNAP RING</i>  |                             |
| 10          | 046505650      | BOCCOLA FILETTATA BRACCI RIBAS.<br><i>THRED. BUSH FOR ARMS DOWN</i> |                             |
| 11          | 046505670      | BOC. TELESCOPICA BRACCI RIBAS.<br><i>TEL. BUSH FOR ARMS DOWN</i>    |                             |
| 12          | 243012         | SEEGER<br><i>SNAP RING</i>  |                             |
| 13          | 047016471      | BRACCIO LUNGO SX<br><i>LH LONG ARM</i>                              |                             |
| 14          | 047021270      | SALVAPIEDI<br><i>FOOT PROTECTION</i>                                |                             |
| 15          | 047021280      | SALVAPIEDI INTERNO<br><i>INNER FOOT PROTECTION</i>                  |                             |
| 16          | 047090892      | MTG. BRACCIO LUNGO DX<br><i>ASS. RH LONG ARM</i>                    |                             |
| 17          | 047090902      | MTG. BRACCIO LUNGO SX<br><i>ASS. LH LONG ARM</i>                    |                             |

11-04-2006

(\*) Vedi intestazione: "Valida per i modelli" (INDICE DELLE TAVOLE) - See: "Apply to models" (INDEX OF SPARE PARTS TABLES)

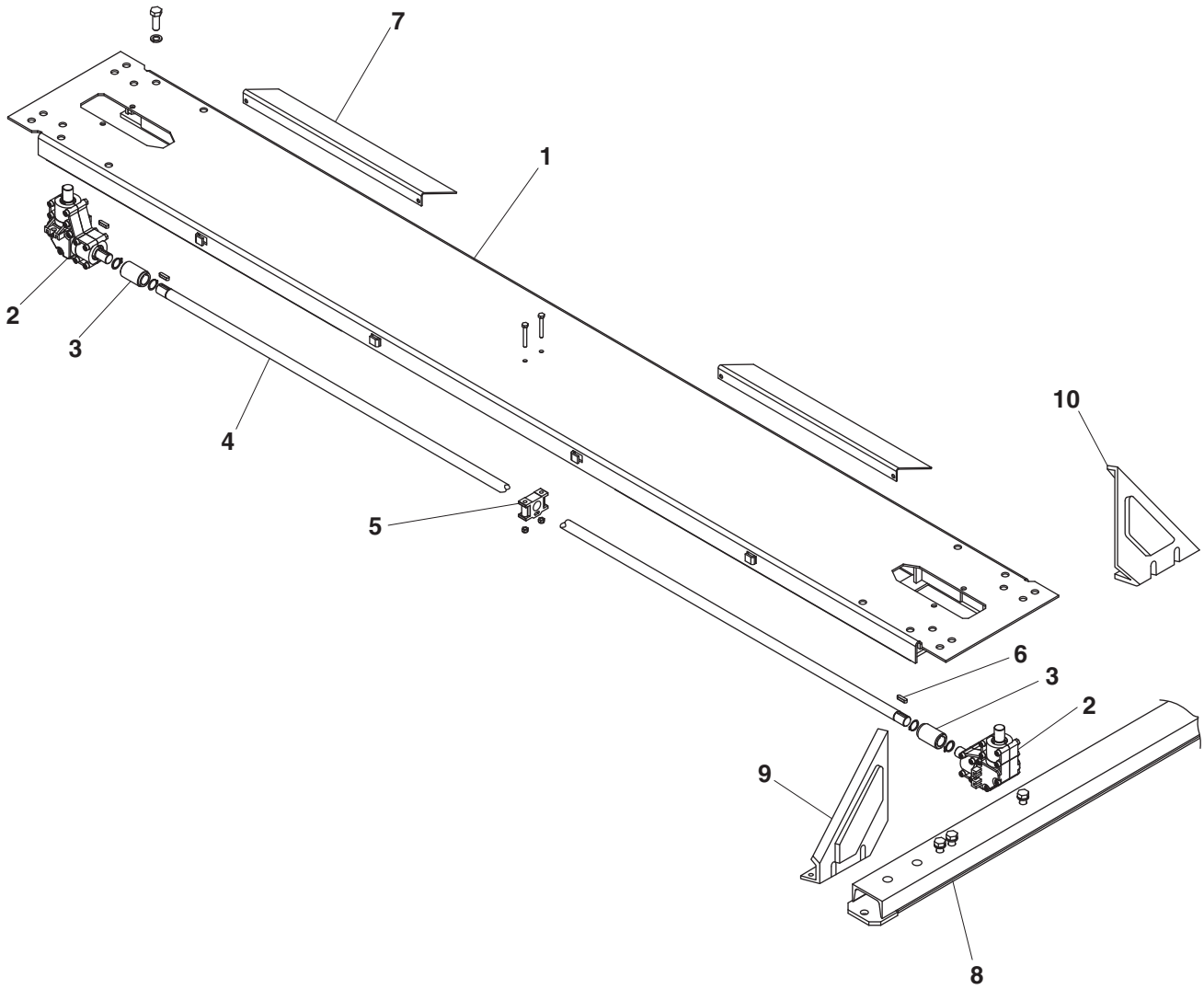


Denominazione tavola – Table definition

**BASE**  
**BASE**

N° / Indice  
tavola / di modifica  
Table / Change  
no / index

**6/0**



Denominazione tavola – *Table definition***BASE  
BASE**N° / Indice  
tavola / di modifica  
*Table / Change*  
*no / index***6/0**

| RIF.<br>REF | CODICE<br>CODE | DESCRIZIONE<br>DESCRIPTION  |                         | APPLICAZIONE<br>APPLICATION  |
|-------------|----------------|-----------------------------|-------------------------|--|
| 1           | 047012090      | PEDANA LUNGA                | LONG PLATFORM           | TUTTI I MODELLI-ALL MODELS*  |
| 2           | 047001104      | MTG. SCATOLA ANGOLARE 17-18 | CORNER BOX              |  |
| 3           | 047018200      | GIUNTO                      | JOINT                   |  |
| 4           | 047018210      | BARRA PEDANA LUNGA          | LONG PLATFORM BAR       |  |
| 5           | 047018240      | SUPPORTO BARRA              | BAR SUPPORT             |  |
| 6           | 231004         | LINGUETTA                   | WING                    |  |
| 7           | 046401280      | RAMPA DI SALITA             | RISE RAMP               |  |
| 8           | 047012520      | PIEDE                       | FOOT                    | KPS224HE-KPS224HER<br>KPS224HEK-KPS234HE<br>KPS234HEK<br>KPS234HELIK |
|             | 047012510      |                             |                         |  |
| 9           | 046480182      | SALVAPIEDI FISSO DX         | FIXED RH FOOTPROTECTION | TUTTI I MODELLI-ALL MODELS*  |
| 10          | 046480192      | SALVAPIEDI FISSO SX         | FIXED LH FOOTPROTECTION |  |

11-04-2006

(\*) Vedi intestazione: "Valida per i modelli" (INDICE DELLE TAVOLE) - See: "Apply to models" (INDEX OF SPARE PARTS TABLES)

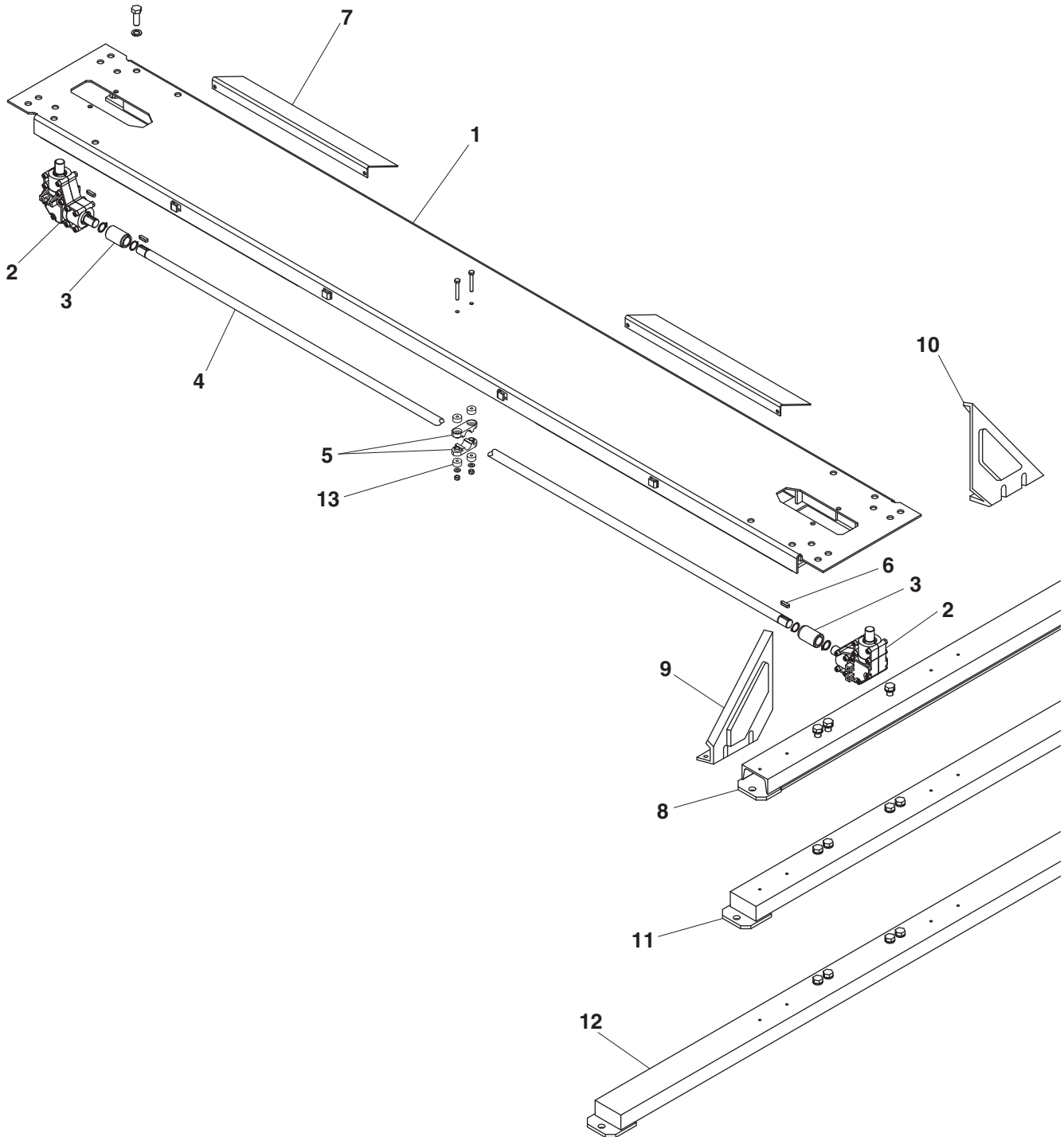


Denominazione tavola – Table definition

**BASE**  
**BASE**

N° / Indice  
tavola / di modifica  
Table / Change  
no / index

**6/1**



Denominazione tavola – *Table definition***BASE  
BASE**N° / Indice  
tavola / di modifica  
*Table / Change*  
*no / index***6/1**

| RIF.<br>REF | CODICE<br>CODE | DESCRIZIONE<br>DESCRIPTION                     | APPLICAZIONE<br>APPLICATION |
|-------------|----------------|--|-----------------------------|
| 1           | 047012090      | PEDANA LUNGA<br>LONG PLATFORM                  | TUTTI I MODELLI-ALL MODELS* |
| 2           | 047001106      | MTG. SCATOLA ANGOLARE 17-18<br>CORNER BOX      |                             |
| 3           | 047018200      | GIUNTO<br>JOINT                                |                             |
| 4           | 047018210      | BARRA PEDANA LUNGA<br>LONG PLATFORM BAR        |                             |
| 5           | 047026170      | SEMI SUPPORTO BARRA<br>BAR SUPPORT             |                             |
| 6           | 231004         | LINGUETTA<br>WING                              |                             |
| 7           | 046401280      | RAMPA DI SALITA<br>RISE RAMP                   |                             |
| 8           | 047012520      | PIEDE<br>FOOT                                  | KPS234HE<br>KPS234HEK       |
| 9           | 046480182      | SALVAPIEDI FISSO DX<br>FIXED RH FOOTPROTECTION | TUTTI I MODELLI-ALL MODELS* |
| 10          | 046480192      | SALVAPIEDI FISSO SX<br>FIXED LH FOOTPROTECTION |                             |
| 11          | 047012540      | PIEDE<br>FOOT                                  | KPS244HE<br>KPS244HEK       |
| 12          | 047012510      | PIEDE<br>FOOT                                  | KPS234HELIK<br>KPS244HELIK  |
| 13          | 047026150      | ANTIVIBRANTE<br>ANTIVIBRATION                  | TUTTI I MODELLI-ALL MODELS* |

8-07-2010

(\*) Vedi intestazione: "Valida per i modelli" (INDICE DELLE TAVOLE) - See: "Apply to models" (INDEX OF SPARE PARTS TABLES)

0472-R012-7

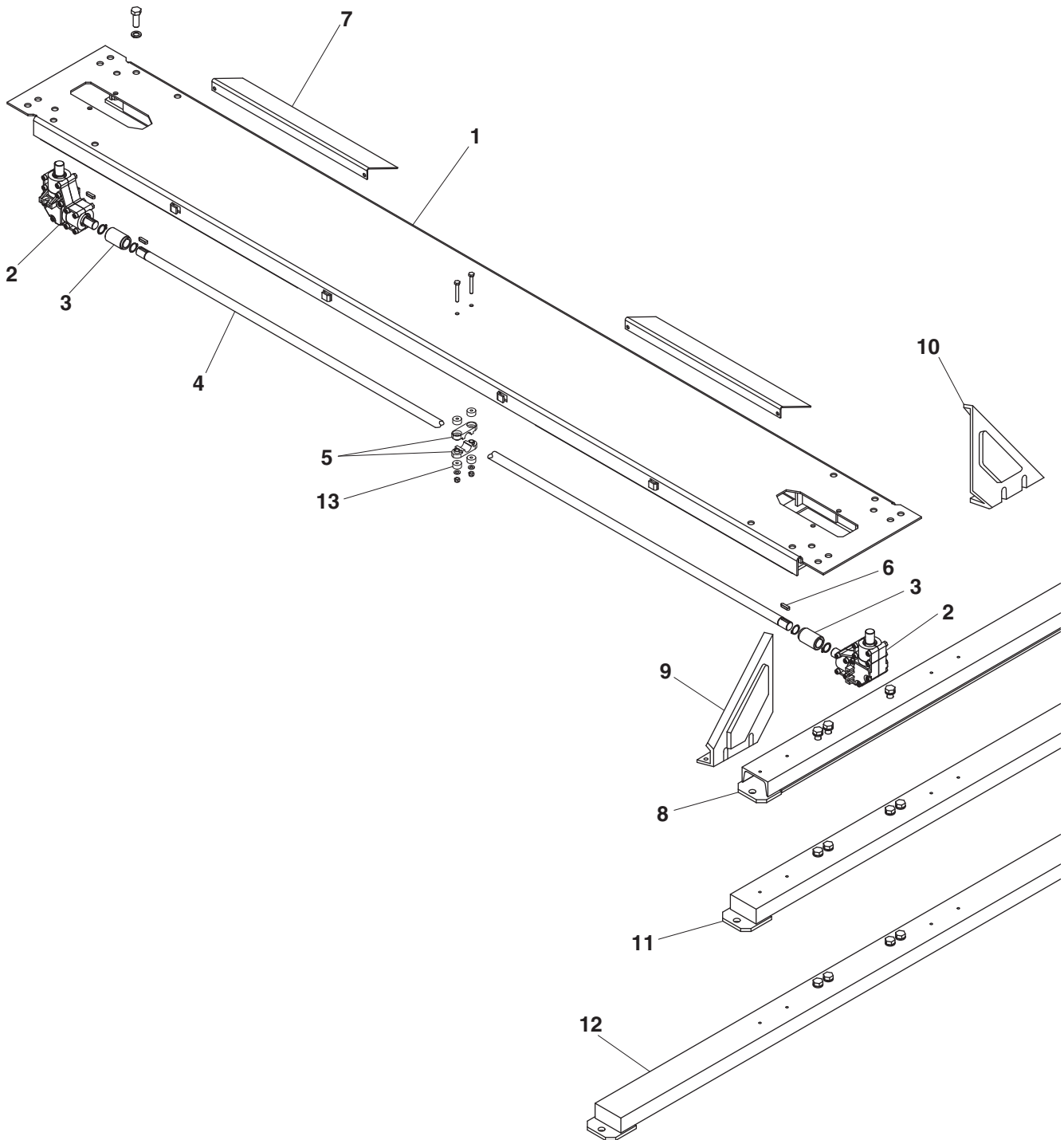


Denominazione tavola – Table definition

**BASE**  
**BASE**

N° / Indice  
tavola / di modifica  
Table / Change  
no / index

**6/2**



Denominazione tavola – *Table definition***BASE  
BASE**N° / Indice  
tavola / di modifica  
*Table / Change*  
*no / index***6/2**

| RIF.<br>REF | CODICE<br>CODE | DESCRIZIONE<br>DESCRIPTION  | APPLICAZIONE<br>APPLICATION |
|-------------|----------------|-----------------------------|-----------------------------|
| 1           | 047012090      | PEDANA LUNGA                | LONG PLATFORM               |
| 2           | 047001106      | MTG. SCATOLA ANGOLARE 17-18 | CORNER BOX                  |
| 3           | 047018200      | GIUNTO                      | JOINT                       |
| 4           | 047018210      | BARRA PEDANA LUNGA          | LONG PLATFORM BAR           |
| 5           | 047026170      | SEMI SUPPORTO BARRA         | BAR SUPPORT                 |
| 6           | 231004         | LINGUETTA                   | WING                        |
| 7           | 046401280      | RAMPA DI SALITA             | RISE RAMP                   |
| 8           | 047012530      | PIEDE                       | FOOT                        |
| 9           | 046480182      | SALVAPIEDI FISSO DX         | FIXED RH FOOTPROTECTION     |
| 10          | 046480192      | SALVAPIEDI FISSO SX         | FIXED LH FOOTPROTECTION     |
| 11          | 047012540      | PIEDE                       | FOOT                        |
| 12          | 047012511      | PIEDE                       | FOOT                        |
| 13          | 047026150      | ANTIVIBRANTE                | ANTIVIBRATION               |

TUTTI I MODELLI-ALL MODELS\*

KPS234HE  
KPS234HEK

TUTTI I MODELLI-ALL MODELS\*

KPS244HE  
KPS244HEK

KPS244HELIK

TUTTI I MODELLI-ALL MODELS\*

25-07-2011

(\*) Vedi intestazione: "Valida per i modelli" (INDICE DELLE TAVOLE) - See: "Apply to models" (INDEX OF SPARE PARTS TABLES)

0472-R012-7

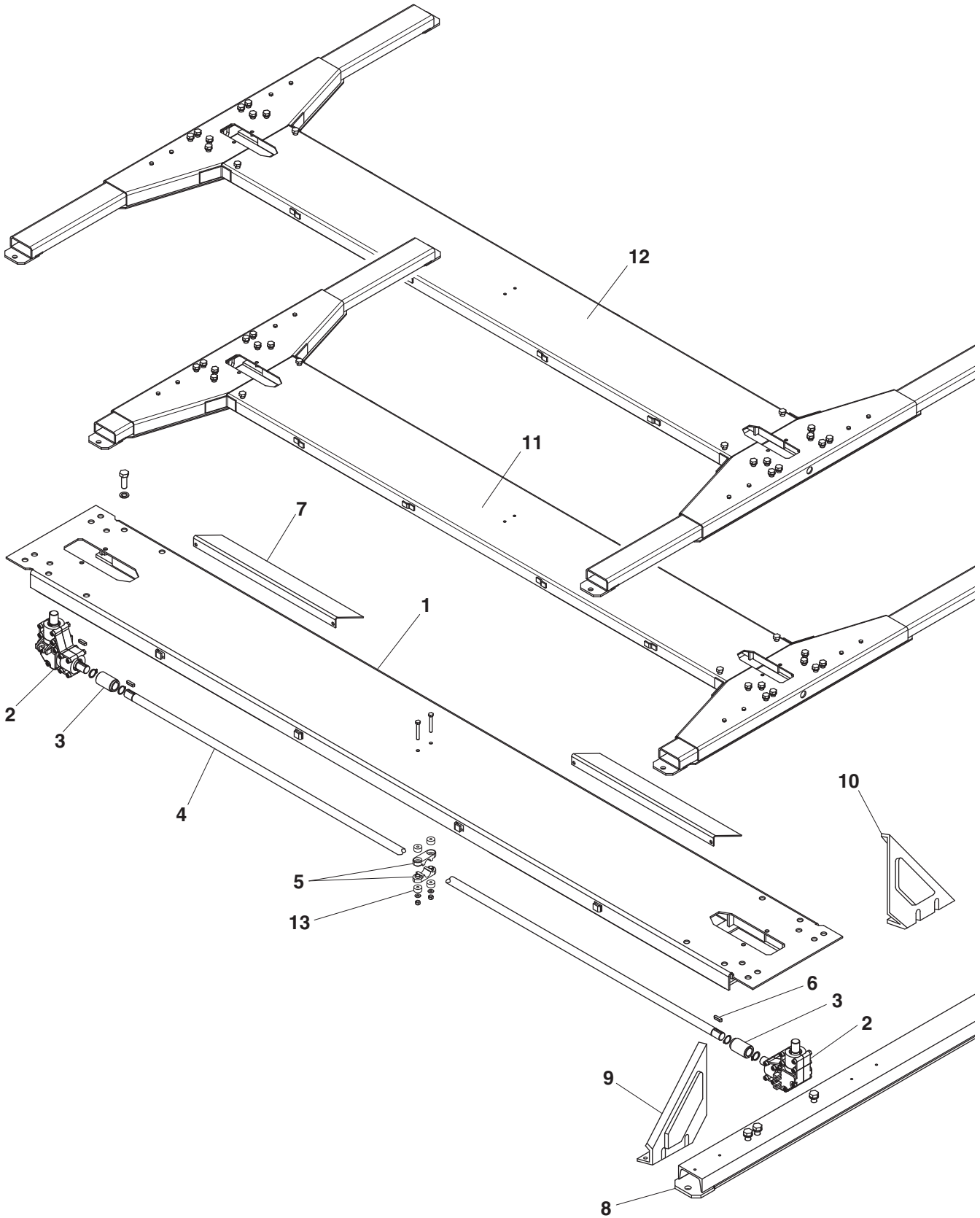


Denominazione tavola – Table definition

**BASE**  
**BASE**

N° / Indice  
tavola / di modifica  
Table / Change  
no / index

**6/3**



Denominazione tavola – *Table definition***BASE  
BASE**N° / Indice  
tavola / di modifica  
*Table / Change*  
*no / index***6/3**

| RIF.<br>REF | CODICE<br>CODE | DESCRIZIONE<br>DESCRIPTION  |                         | APPLICAZIONE<br>APPLICATION |
|-------------|----------------|-----------------------------|-------------------------|-----------------------------|
| 1           | 047012090      | PEDANA LUNGA                | LONG PLATFORM           | KPS234HE<br>KPS234HEK       |
| 2           | 047001106      | MTG. SCATOLA ANGOLARE 17-18 | CORNER BOX              | TUTTI I MODELLI-ALL MODELS* |
| 3           | 047018200      | GIUNTO                      | JOINT                   |                             |
| 4           | 047018210      | BARRA PEDANA LUNGA          | LONG PLATFORM BAR       |                             |
| 5           | 047026170      | SEMI SUPPORTO BARRA         | BAR SUPPORT             |                             |
| 6           | 231004         | LINGUETTA                   | WING                    |                             |
| 7           | 046401280      | RAMPA DI SALITA             | RISE RAMP               |                             |
| 8           | 047012530      | PIEDE                       | FOOT                    |                             |
| 9           | 046480182      | SALVAPIEDI FISSO DX         | FIXED RH FOOTPROTECTION | TUTTI I MODELLI-ALL MODELS* |
| 10          | 046480192      | SALVAPIEDI FISSO SX         | FIXED LH FOOTPROTECTION |                             |
| 11          | 047012300      | PEDANA LUNGA                | LONG PLATFORM           | KPS244HE<br>KPS244HEK       |
| 12          | 047012350      | PEDANA LUNGA                | LONG PLATFORM           | KPS244HELIK                 |
| 13          | 047026150      | ANTIVIBRANTE                | ANTIVIBRATION           | TUTTI I MODELLI-ALL MODELS* |

24-01-2013

(\*) Vedi intestazione: "Valida per i modelli" (INDICE DELLE TAVOLE) - See: "Apply to models" (INDEX OF SPARE PARTS TABLES)

0472-R012-7

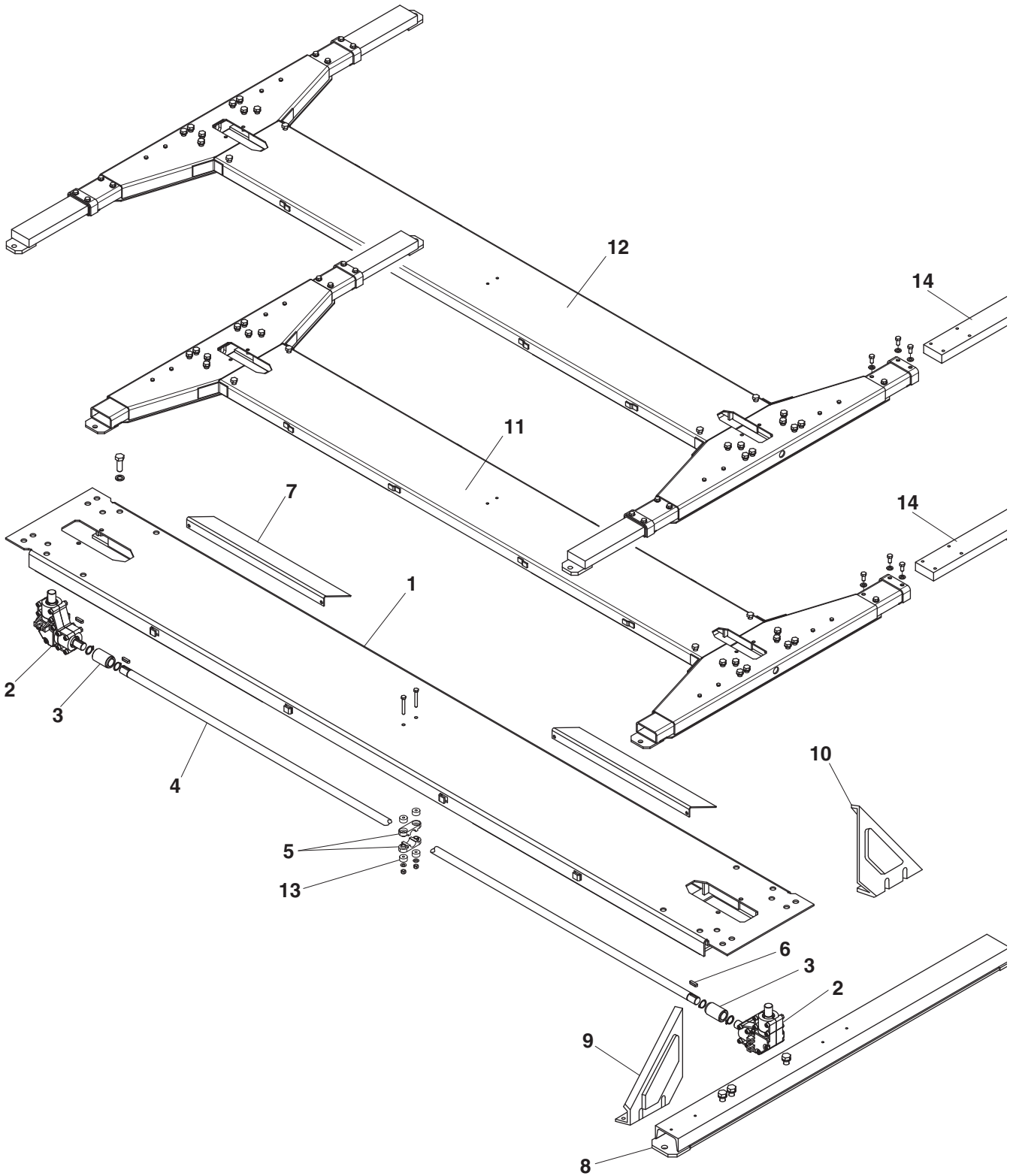


Denominazione tavola – Table definition

**BASE**  
**BASE**

N° / Indice  
tavola / di modifica  
Table / Change  
no / index

**6/4**





Denominazione tavola – Table definition

**BASE  
BASE**N° / Indice  
tavola / di modifica  
Table / Change  
no / index**6/4**

| RIF.<br>REF | CODICE<br>CODE | DESCRIZIONE<br>DESCRIPTION                     | APPLICAZIONE<br>APPLICATION |
|-------------|----------------|--|-----------------------------|
| 1           | 047012090      | PEDANA LUNGA<br>LONG PLATFORM                  | KPS234HE<br>KPS234HEK       |
| 2           | 047001106      | MTG. SCATOLA ANGOLARE 17-18<br>CORNER BOX      |                             |
| 3           | 047018200      | GIUNTO<br>JOINT                                |                             |
| 4           | 047018210      | BARRA PEDANA LUNGA<br>LONG PLATFORM BAR        |                             |
| 5           | 047026170      | SEMI SUPPORTO BARRA<br>BAR SUPPORT             | TUTTI I MODELLI-ALL MODELS* |
| 6           | 231004         | LINGUETTA<br>WING                              |                             |
| 7           | 046401280      | RAMPA DI SALITA<br>RISE RAMP                   |                             |
| 8           | 047012530      | PIEDE<br>FOOT                                  | KPS234HE<br>KPS234HEK       |
| 9           | 046480182      | SALVAPIEDI FISSO DX<br>FIXED RH FOOTPROTECTION |                             |
| 10          | 046480192      | SALVAPIEDI FISSO SX<br>FIXED LH FOOTPROTECTION | TUTTI I MODELLI-ALL MODELS* |
| 11          | 047012301      | PEDANA LUNGA<br>LONG PLATFORM                  | KPS244HE<br>KPS244HEK       |
| 12          | 047012351      | PEDANA LUNGA<br>LONG PLATFORM                  | KPS244HELIK                 |
| 13          | 047026150      | ANTIVIBRANTE<br>ANTIVIBRATION                  |                             |
| 14          | 047013070      | PROLUNGA PIEDE<br>FOOT EXTENSION               | TUTTI I MODELLI-ALL MODELS* |

10-05-2013

(\*) Vedi intestazione: "Valida per i modelli" (INDICE DELLE TAVOLE) - See: "Apply to models" (INDEX OF SPARE PARTS TABLES)

0472-R012-7

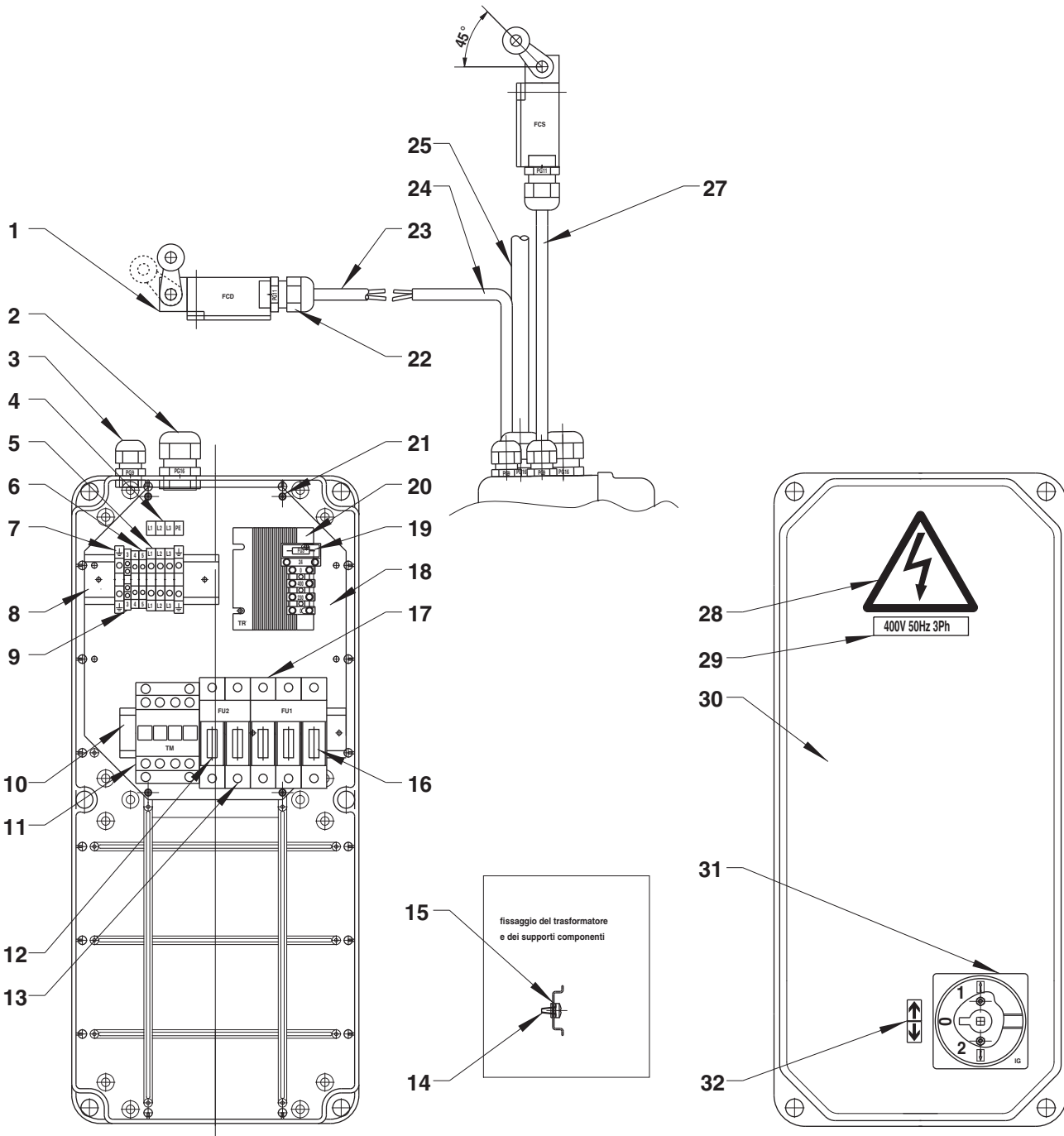


Denominazione tavola – Table definition

# IMPIANTO ELETTRICO ELECTRIC INSTALLATION

N° / Indice  
tavola / di modifica  
Table / Change  
no / index

## 8A/0





Denominazione tavola – Table definition

**IMPIANTO ELETTRICO**  
**ELECTRIC INSTALLATION**N° / Indice  
tavola / di modifica  
Table / Change  
no / index**8A/0**

| RIF.<br>REF | CODICE<br>CODE | DESCRIZIONE<br>DESCRIPTION      | APPLICAZIONE<br>APPLICATION     |
|-------------|----------------|---------------------------------|---------------------------------|
| 1           | 527061         | FINECORSA PIZZATO ART.FR530A    | LIMIT SWITCH PART               |
| 2           | 599139         | PRESSACAVO PG16 CON GHIERA      | CABLE FAST. PG16 WITH RING NUT  |
| 3           | 599089         | PRESSACAVO PG9 CON GHIERA       | CABEL FAST. PG9 WITH RING NUT   |
| 4           | 999912900      | TARGHETTA COLLEG.ALIMENTAZIONE  | POWER CABLE PLATE               |
| 5           | 510108         | MORSETTO 4MMQ                   | TERMINAL 4 SQ. MM               |
| 6           | 510145         | MORSETTO 2.5MMQ                 | TERMINAL 2.5 SQ. MM             |
| 7           | 510150         | MORSETTO GIALLO VERDE 4MMQ      | YELLOW/GREEN TERMINAL 4SQ.MM    |
| 8           | 05221037       | SUPPORTO MORSETTIERA            | TERMINAL BOARD SUPPORT          |
| 9           | 510207         | MORSETTO 2.5MMQ (4 CONNESSIONI) | TERMINAL 2.5 SQ. MM             |
| 10          | 047066240      | SUPPORTO COMPONENTI             | PART SUPPORT                    |
| 11          | 522109         | CONTATTORE                      | CONTACTOR                       |
| 12          | 507095         | FUSIBILE 10.3X38 1A 500V GL     | FUSE 10.3X38                    |
| 13          | 515027         | PORTAFUSIBILE BIPOLARE          | TWO-POLE FUSE HOLDER            |
| 14          | 220005         | VITE TCB AUT.F.3.5X9.5 ZN       | SELF-THRD. SCREW                |
| 15          | 239018         | RONDELLA VENT.DENT.EST.ø4.3 ZN  | OUT. WASHER - 4.4               |
| 16          | 507045         | FUSIBILE 10.3X38 16A 500V AM    | FUSE 10.3X38                    |
| 17          | 515025         | PORTAFUSIBILE TRIPOLARE         | THREE-POLE FUSE HOLDER          |
| 18          | 047065621      | PIASTRA PORTA APPARECCHIATURE   | EQUIPMENT PLATE                 |
| 19          | 507043         | FUSIBILE 5X20 2A 250V RAPIDO    | QUICK-BLOW FUSE 5X20            |
| 20          | 121KP0331      | TRASFORMAT.30VA 0-230-400/0-24  | TRANSFORMER 30VA 0-230-400/0-26 |
| 21          | 220052         | VITE TCB AUT.F.2.9X9.5 ZN       | SELF-THRD. SCREW                |
| 22          | 599074         | PRESSACAVO PG11 CON GHIERA      | CABLE FAST. PG11 WITH RING NUT  |
| 23          | 046510260      | INSIEME CAVO DA GIUNZIONE A FCD | LS-CNCT CABLE ASSEMBLY          |
| 24          | 047265020      | INS.CAVO DA CASS.A GIUNZ.(FCD)  | EL.BOX-LS CNCT CABLE ASSEMBLY   |
| 25          | 047265110      | INS.CAVO DA CASSETTA A MOTORE   | BOX-MOTOR CABLE ASSEMBLY        |
| 27          | 047265010      | INSIEME CAVO DA CASSETTA A FCS  | BOX-FCS CABLE ASSEMBLY          |
| 28          | 99990758       | TARGHETTA AUTOADESIVA PERICOLO  | SELF-ADHESIVE PLATE DANGER!     |
| 29          | 999912380      | TARGHETTA 400V 50HZ 3PH         | PLATE 400V 50HZ 3PH             |
| 30          | 047065671      | CASS.EL.CON VITI E GUARNIZIONE  | EL. BOX WITH SCREWS AND SEAL    |
| 31          | 518142         | INVERTITORE DI MARCIA           | INVERTER                        |
| 32          | 999912710      | TARGHETTA SALITA/DISCESA        | UP/DOWN PLATE                   |

TUTTI I MODELLI-ALL MODELS\*

11-04-2006

(\*) Vedi intestazione: "Valida per i modelli" (INDICE DELLE TAVOLE) - See: "Apply to models" (INDEX OF SPARE PARTS TABLES)

0472-R012-7

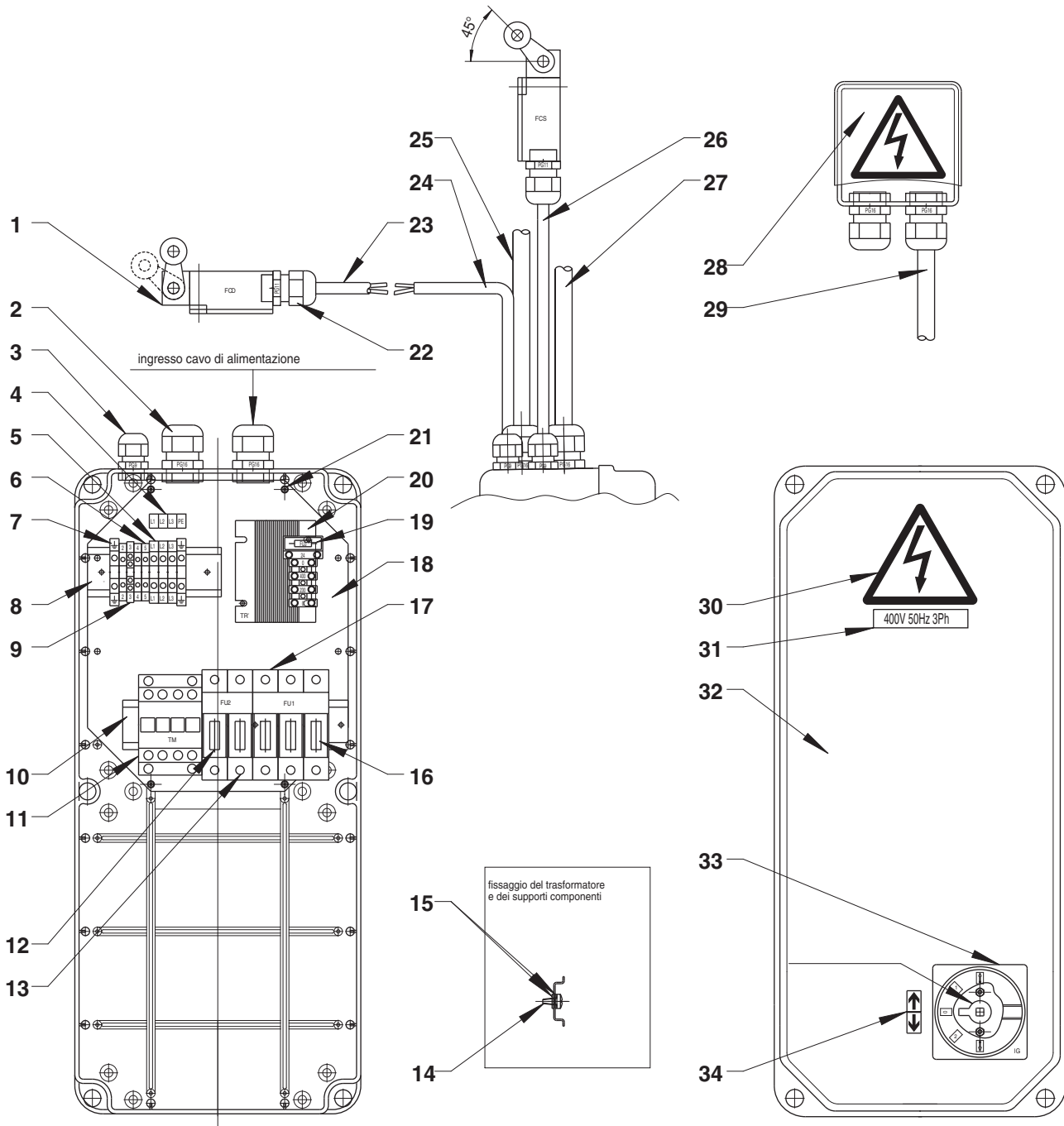


Denominazione tavola – Table definition

# IMPIANTO ELETTRICO ELECTRIC INSTALLATION

N° / Indice  
tavola / di modifica  
Table / Change  
no / index

## 8B/0





Denominazione tavola – Table definition

**IMPIANTO ELETTRICO**  
**ELECTRIC INSTALLATION**N° / Indice  
tavola / di modifica  
Table / Change  
no / index**8B/0**

| RIF.<br>REF | CODICE<br>CODE | DESCRIZIONE<br>DESCRIPTION       | APPLICAZIONE<br>APPLICATION     |
|-------------|----------------|----------------------------------|---------------------------------|
| 1           | 527061         | FINECORSA PIZZATO ART.FR530A     | LIMIT SWITCH PART               |
| 2           | 599139         | PRESSACAVO PG16 CON GHIERA       | CABLE FAST. PG16 WITH RING NUT  |
| 3           | 599089         | PRESSACAVO PG9 CON GHIERA        | CABEL FAST. PG9 WITH RING NUT   |
| 4           | 999912900      | TARGHETTA COLLEG.ALIMENTAZIONE   | POWER CABLE PLATE               |
| 5           | 510108         | MORSETTO 4MMQ                    | TERMINAL 4 SQ. MM               |
| 6           | 510145         | MORSETTO 2.5MMQ                  | TERMINAL 2.5 SQ. MM             |
| 7           | 510150         | MORSETTO GIALLO VERDE 4MMQ       | YELLOW/GREEN TERMINAL 4SQ.MM    |
| 8           | 05221037       | SUPPORTO MORSETTIERA             | TERMINAL BOARD SUPPORT          |
| 9           | 510207         | MORSETTO 2.5MMQ (4 CONNESSIONI)  | TERMINAL 2.5 SQ. MM             |
| 10          | 047066240      | SUPPORTO COMPONENTI              | PART SUPPORT                    |
| 11          | 522108         | CONTATTORE                       | CONTACTOR                       |
| 12          | 507095         | FUSIBILE 10.3X38 1A 500V GL      | FUSE 10.3X38                    |
| 13          | 515027         | PORTAFUSIBILE BIPOLARE           | TWO-POLE FUSE HOLDER            |
| 14          | 220005         | VITE TCB AUT.F.3.5X9.5 ZN        | SELF-THRD. SCREW                |
| 15          | 239018         | RONDELLA VENT.DENT.EST.D.4.3 ZN  | OUT. WASHER                     |
| 16          | 507050         | FUSIBILE 10.3X38 20A 500V AM     | FUSE 10.3X38 20A 500V AM        |
| 17          | 515025         | PORTAFUSIBILE TRIPOLARE          | THREE-POLE FUSE HOLDER          |
| 18          | 047065621      | PIASTRA PORTA APPARECCHIATURE    | EQUIPMENT PLATE                 |
| 19          | 507043         | FUSIBILE 5X20 2A 250V RAPIDO     | QUICK-BLOW FUSE 5X20            |
| 20          | 121KP0331      | TRASFORMAT.30VA 0-230-400/0-24   | TRANSFORMER 30VA 0-230-400/0-24 |
| 21          | 220052         | VITE TCB AUT.F.2.9X9.5 ZN        | SELF-THRD. SCREW                |
| 22          | 599074         | PRESSACAVO PG11 CON GHIERA       | CABLE FAST. PG11 WITH RING NUT  |
| 23          | 046510260      | INSIEME CAVO DA GIUNZIONE A FCD  | CABLE ASSEMBLY                  |
| 24          | 047265020      | INS.CAVO DA CASS.A GIUNZ.(FCD)   | CABLE ASSEMBLY                  |
| 25          | 046410581      | INS.CAVO DA CASSETTA S SCAT.DER. | CABLE ASSEMBLY                  |
| 26          | 047265010      | INSIEME CAVO DA CASSETTA A FCS   | CABLE ASSEMBLY                  |
| 27          | 046510361      | INS.CAVO DA CASSETTA A MOTORE    | CABLE ASSEMBLY                  |
| 28          | 046410270      | SCATOLA DI DERIVAZIONE           | CONNECTOR BLOCK                 |
| 29          | 046410591      | INS.CAVO DA SCAT.DER.A MOTORE 2  | CABLE ASSEMBLY                  |
| 30          | 99990758       | TARGHETTA AUTOADESIVA PERICOLO   | SELF-ADHESIVE PLATE DANGER!     |
| 31          | 999912380      | TARGHETTA 400V 50HZ 3PH          | PLATE 400V                      |
| 32          | 047065671      | CASS.EL.CON VITI E GUARNIZIONE   | BOX COMP WITH SCREWS AND SEALS  |
| 33          | 518142         | INVERTITORE DI MARCIA            | INVERTER                        |
| 34          | 999912710      | TARGHETTA SALITA/DISCESA         | UP/DOWN PLATE                   |

TUTTI I MODELLI-ALL MODELS\*

11-04-2006

(\*) Vedi intestazione: "Valida per i modelli" (INDICE DELLE TAVOLE) - See: "Apply to models" (INDEX OF SPARE PARTS TABLES)

0472-R012-7

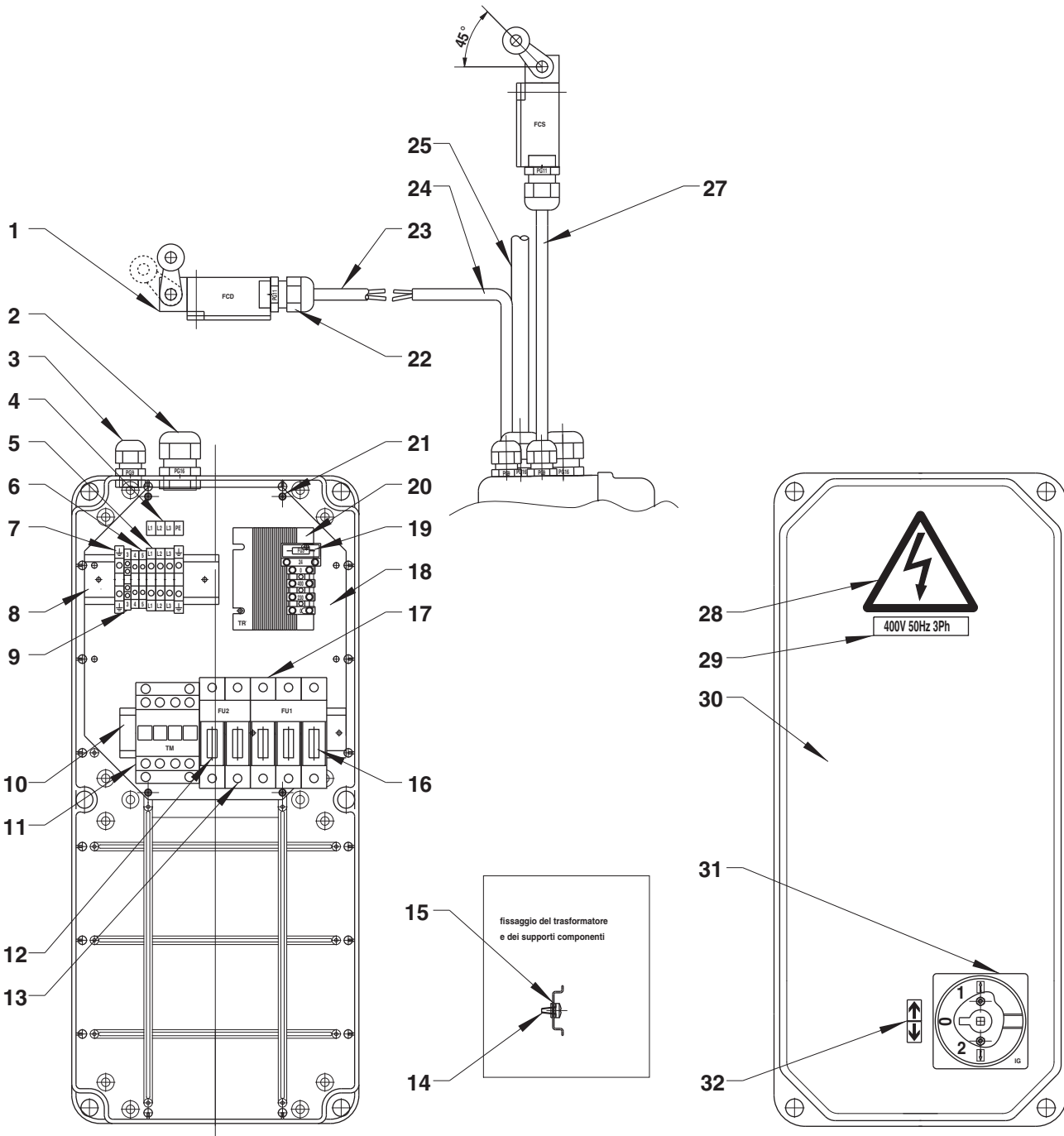


Denominazione tavola – Table definition

# IMPIANTO ELETTRICO ELECTRIC INSTALLATION

N° / Indice  
tavola / di modifica  
Table / Change  
no / index

## 8B/1





Denominazione tavola – Table definition

**IMPIANTO ELETTRICO**  
**ELECTRIC INSTALLATION**N° / Indice  
tavola / di modifica  
Table / Change  
no / index**8B/1**

| RIF.<br>REF | CODICE<br>CODE | DESCRIZIONE<br>DESCRIPTION      | APPLICAZIONE<br>APPLICATION     |
|-------------|----------------|---------------------------------|---------------------------------|
| 1           | 527061         | FINECORSA PIZZATO ART.FR530A    | LIMIT SWITCH PART               |
| 2           | 599139         | PRESSACAVO PG16 CON GHIERA      | CABLE FAST. PG16 WITH RING NUT  |
| 3           | 599089         | PRESSACAVO PG9 CON GHIERA       | CABEL FAST. PG9 WITH RING NUT   |
| 4           | 999912900      | TARGHETTA COLLEG.ALIMENTAZIONE  | POWER CABLE PLATE               |
| 5           | 510108         | MORSETTO 4MMQ                   | TERMINAL 4 SQ. MM               |
| 6           | 510145         | MORSETTO 2.5MMQ                 | TERMINAL 2.5 SQ. MM             |
| 7           | 510150         | MORSETTO GIALLO VERDE 4MMQ      | YELLOW/GREEN TERMINAL 4SQ.MM    |
| 8           | 05221037       | SUPPORTO MORSETTIERA            | TERMINAL BOARD SUPPORT          |
| 9           | 510207         | MORSETTO 2.5MMQ (4 CONNESSIONI) | TERMINAL 2.5 SQ. MM             |
| 10          | 047066240      | SUPPORTO COMPONENTI             | PART SUPPORT                    |
| 11          | 522109         | CONTATTORE                      | CONTACTOR                       |
| 12          | 507095         | FUSIBILE 10.3X38 1A 500V GL     | FUSE 10.3X38                    |
| 13          | 515027         | PORTAFUSIBILE BIPOLARE          | TWO-POLE FUSE HOLDER            |
| 14          | 220005         | VITE TCB AUT.F.3.5X9.5 ZN       | SELF-THRD. SCREW                |
| 15          | 239018         | RONDELLA VENT.DENT.EST.ø4.3 ZN  | OUT. WASHER - 4.4               |
| 16          | 507045         | FUSIBILE 10.3X38 16A 500V AM    | FUSE 10.3X38                    |
| 17          | 515025         | PORTAFUSIBILE TRIPOLARE         | THREE-POLE FUSE HOLDER          |
| 18          | 047065621      | PIASTRA PORTA APPARECCHIATURE   | EQUIPMENT PLATE                 |
| 19          | 507043         | FUSIBILE 5X20 2A 250V RAPIDO    | QUICK-BLOW FUSE 5X20            |
| 20          | 121KP0331      | TRASFORMAT.30VA 0-230-400/0-24  | TRANSFORMER 30VA 0-230-400/0-26 |
| 21          | 220052         | VITE TCB AUT.F.2.9X9.5 ZN       | SELF-THRD. SCREW                |
| 22          | 599074         | PRESSACAVO PG11 CON GHIERA      | CABLE FAST. PG11 WITH RING NUT  |
| 23          | 046510260      | INSIEME CAVO DA GIUNZIONE A FCD | LS-CNCT CABLE ASSEMBLY          |
| 24          | 047265020      | INS.CAVO DA CASS.A GIUNZ.(FCD)  | EL.BOX-LS CNCT CABLE ASSEMBLY   |
| 25          | 047265110      | INS.CAVO DA CASSETTA A MOTORE   | BOX-MOTOR CABLE ASSEMBLY        |
| 27          | 047265010      | INSIEME CAVO DA CASSETTA A FCS  | BOX-FCS CABLE ASSEMBLY          |
| 28          | 99990758       | TARGHETTA AUTOADESIVA PERICOLO  | SELF-ADHESIVE PLATE DANGER!     |
| 29          | 999912380      | TARGHETTA 400V 50HZ 3PH         | PLATE 400V 50HZ 3PH             |
| 30          | 047065671      | CASS.EL.CON VITI E GUARNIZIONE  | EL. BOX WITH SCREWS AND SEAL    |
| 31          | 518142         | INVERTITORE DI MARCIA           | INVERTER                        |
| 32          | 999912710      | TARGHETTA SALITA/DISCESA        | UP/DOWN PLATE                   |

TUTTI I MODELLI-ALL MODELS\*

9-02-2010

(\*) Vedi intestazione: "Valida per i modelli" (INDICE DELLE TAVOLE) - See: "Apply to models" (INDEX OF SPARE PARTS TABLES)

0472-R012-7

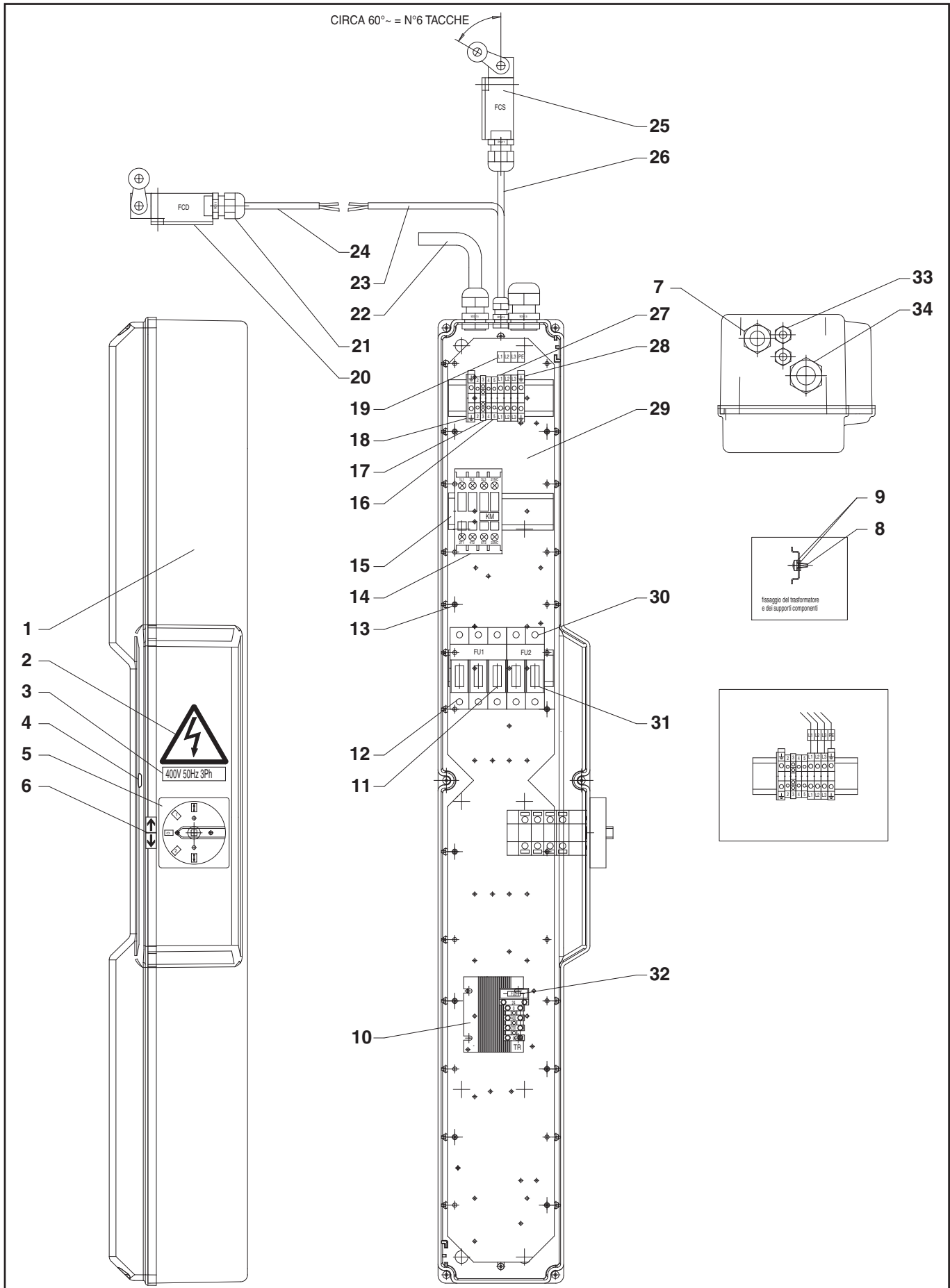


Denominazione tavola – Table definition

# IMPIANTO ELETTRICO ELECTRIC INSTALLATION

N° / Indice  
tavola / di modifica  
Table / Change  
no / index

## 8B/2





Denominazione tavola – Table definition

**IMPIANTO ELETTRICO**  
**ELECTRIC INSTALLATION**N° / Indice  
tavola / di modifica  
Table / Change  
no / index**8B/2**

| RIF. REF | CODICE CODE | DESCRIZIONE DESCRIPTION                 | APPLICAZIONE APPLICATION                    |
|----------|-------------|---|---|
| 1        | 047065672   | INSIEME CASSETTA ELETTRICA              | ELECTRICAL BOX ASSY                         |
| 2        | 99990758    | TARGHETTA AUTOADESIVA PERICOLO          | DANGER SELF-STICKING PLATE                  |
| 3        | 999912520   | TARGHETTA 380V 60Hz 3Ph                 | PLATE 380V 60Hz 3Ph                         |
| 3        | 999912510   | TARGHETTA 220V 60Hz 3Ph                 | PLATE 220V 60Hz 3Ph                         |
| 3        | 999912390   | TARGHETTA 230V 50Hz 3Ph                 | PLATE 230V 50Hz 3Ph                         |
| 3        | 999912380   | TARGHETTA 400V 50Hz 3Ph                 | PLATE 400V 50Hz 3Ph                         |
| 4        | 299170      | FERMAGLI PER ALBERI LISCI Ø2.5          | FASTENERS FOR SMOOTH SHAFTS Ø2.5            |
| 4        | 220080      | VITE AUTOFILLETANTE TCB 3,5x25 Zn       | SELF-TAPPING SCREW TCB 3,5x25 Zn            |
| 5        | 518245      | INVERTITORE CON COMANDO SALITA/DISCESA  | UP/DOWN MOTION COMMAND INVERTER             |
| 6        | 999912710   | TARGHETTA FRECCHE SALTA/DISCESA         | UP/DOWN ARROWS PLATE                        |
| 7        | 599432      | GHIERA M20x1,5 art.1143M20 CEMBRE       | RING NUT M20x1.5 part No.1143M20 CEMBRE     |
| 7        | 599429      | PRESSACAVO M20x1,5 art. 1900.M20 CEMBRE | CABLE GLAND M20x1.5 part No.1900.M20 CEMBRE |
| 8        | 220005      | VITE TCB AUTOFILLETANTE 3.5x9.5         | SELF-TAPPING SCREW TCB 3,5x9,5              |
| 9        | 239018      | RONDELLA DENTELLATA ESTERNA Ø4.3        | OUTER TOOTHED WASHER ø4.3                   |
| 10       | 121KP0331   | TRASFORMATORE 30VA                      | TRANSFORMER 30VA                            |
| 11       | 507048      | FUSIBILE 10x38 25A 500V aM (ritardato)  | FUSE 10x38 25A 500V aM (delayed)            |
| 11       | 507045      | FUSIBILE 10x38 16A 500V aM (ritardato)  | FUSE 10x38 16A 500V aM (delayed)            |
| 12       | 515025      | PORTAFUSIBILE TRIPOLARE                 | 3-POLE FUSE HOLDER                          |
| 13       | 220052      | VITE TCB AUTOFILLETANTE 2.9x9.5         | SELF-TAPPING SCREW TCB 2,9x9,5              |
| 14       | 522137      | CONTATTORE 4KW AC3 400V                 | CONTACTOR 4KW AC3 400V                      |
| 15       | 070665110   | SUPPORTO COMPONENTI                     | PARTS SUPPORT                               |
| 16       | 510145      | MORSETTO A VITE 2,5mmq                  | SCREW TERMINAL 2,5 sq.mm                    |
| 17       | 510207      | MORSETTO A VITE 2.5mmq 4 CONNESSIONI    | SCREW TERMINAL 2,5 sq.mm 4 CONN.            |
| 18       | 510209      | PIASTRINA TERMINALE                     | TERMINAL PLATE                              |
| 19       | 999912900   | TARGHETTA COLLEG.CAVO ALIMENTAZIONE     | POWER CABLE CONNECT. PLATE                  |
| 20       | 527061      | FINECORSA PIZZATO art.FR551A            | PINCHED LIMIT SWITCH part No.FR551A         |
| 21       | 599252      | PRESSACAVO PG11 CEMBRE art. 1900.11     | CABLE GLAND PG11 CEMBRE part No.1900.11     |
| 22       | 047265111   | INSIEME CAVO DA CASS.EL.A MOTORE        | INS.CABLE FROM EL.CABINET TO MOTOR          |
| 23       | 047265021   | INS.CAVO DA CASS.EL.A GIUNZ.FCD         | INS.CABLE FROM EL.CABINET TO FCD JOINT      |
| 24       | 046510260   | INS.CAVO DA GIUNZIONE A FCD             | CONNECT.TO FCD CABLE ASSY                   |
| 25       | 527059      | FINECORSA PIZZATO art.FR530A            | PINCHED LIMIT SWITCH part No.FR530A         |
| 26       | 047265011   | INS.CAVO DA CASS.EL.A FCS               | INS.CABLE FROM EL.CABINET TO FCS            |
| 27       | 510108      | MORSETTO A VITE 4mmq                    | SCREW TERMINAL 4 sq.mm                      |
| 28       | 510150      | MORSETTO A VITE 4mmq giallo/verde       | SCREW TERMINAL 4 sq.mm YELLOW/GREEN         |
| 29       | 044565090   | PIASTRA PORTA COMPONENTI                | PARTS HOLDER PLATE                          |
| 30       | 515027      | PORTAFUSIBILE BIPOLARE                  | 2-POLE FUSE HOLDER                          |
| 31       | 507095      | FUSIBILE 10x38 1A 500V gl RAPIDO        | FUSE 10x38 1A 500V gl quick type            |
| 32       | 507043      | FUSIBILE 5x20F 2A 250V RAPIDO           | FUSE 5x20F 2A 250V quick type               |
| 33       | 599431      | GHIERA M12x1,5 art.1143M12 CEMBRE       | RING NUT M12x1,5 part No.1143M12 CEMBRE     |
| 33       | 599428      | PRESSACAVO M12x1,5 art. 1900.M12 CEMBRE | CABLE GLAND M12x1.5 part No.1900.M12 CEMBRE |
| 34       | 599433      | GHIERA M25x1,5 art.1143M25 CEMBRE       | RING NUT M25x1,5 part No.1143M25 CEMBRE     |
| 34       | 599430      | PRESSACAVO M25x1,5 art. 1900.M25 CEMBRE | CABLE GLAND M25x1.5 part No.1900.M25 CEMBRE |

TUTTI I MODELLI-ALL MODELS\*

25-07-2011

(\*) Vedi intestazione: "Valida per i modelli" (INDICE DELLE TAVOLE) - See: "Apply to models" (INDEX OF SPARE PARTS TABLES)

0472-R012-7



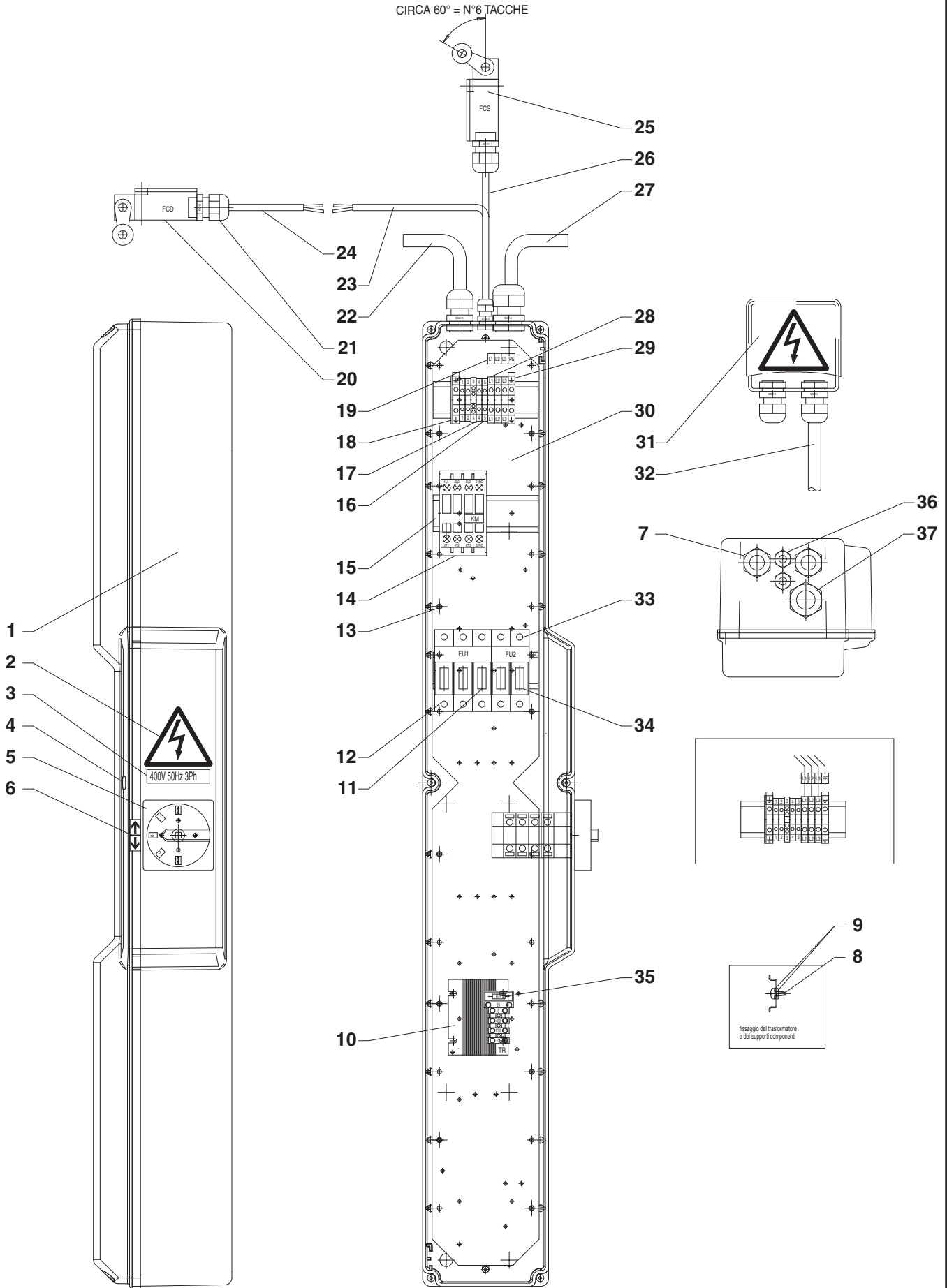
Denominazione tavola – Table definition

# IMPIANTO ELETTRICO ELECTRIC INSTALLATION

N° / Indice  
tavola / di modifica  
Table / Change  
no / index

## 8C/0

CIRCA 60° = N°6 TACCHE



0472-R012-7

25-07-2011



Denominazione tavola – Table definition

**IMPIANTO ELETTRICO**  
**ELECTRIC INSTALLATION**N° / Indice  
tavola / di modifica  
Table / Change  
no / index**8C/0**

| RIF. REF | CODICE CODE | DESCRIZIONE DESCRIPTION                 | APPLICAZIONE APPLICATION                    |
|----------|-------------|---|---|
| 1        | 047065861   | INSIEME CASSETTA ELETTRICA              | ELECTRICAL BOX ASSY                         |
| 2        | 99990758    | TARGHETTA AUTOADESIVA PERICOLO          | DANGER SELF-STICKING PLATE                  |
| 3        | 999912520   | TARGHETTA 380V 60Hz 3Ph                 | PLATE 380V 60Hz 3Ph                         |
| 3        | 999912380   | TARGHETTA 400V 50Hz 3Ph                 | PLATE 400V 50Hz 3Ph                         |
| 4        | 299170      | FERMAGLI PER ALBERI LISCI Ø2.5          | FASTENERS FOR SMOOTH SHAFTS Ø2.5            |
| 4        | 220080      | VITE AUTOFILLETANTE TCB 3,5x25 Zn       | SELF-TAPPING SCREW TCB 3,5x25 Zn            |
| 5        | 518245      | INVERTITORE CON COMANDO SALITA/DISCESA  | UP/DOWN MOTION COMMAND INVERTER             |
| 6        | 999912710   | TARGHETTA FRECCHE SALTA/DISCESA         | UP/DOWN ARROWS PLATE                        |
| 7        | 599432      | GHIERA M20x1,5 art.1143M20 CEMBRE       | RING NUT M20x1.5 part No.1143M20 CEMBRE     |
| 7        | 599429      | PRESSACAVO M20x1,5 art. 1900.M20 CEMBRE | CABLE GLAND M20x1.5 part No.1900.M20 CEMBRE |
| 8        | 220005      | VITE TCB AUTOFILETTANTE 3.5x9.5         | SELF-TAPPING SCREW TCB 3,5x9,5              |
| 9        | 239018      | RONDELLA DENTELLATA ESTERNA ø4.3        | OUTER TOOTHED WASHER ø4.3                   |
| 10       | 121KP0331   | TRASFORMATORE 30VA                      | TRANSFORMER 30VA                            |
| 11       | 507050      | FUSIBILE 10x38 20A 500V aM (ritardato)  | FUSE 10x38 20A 500V aM (delayed)            |
| 12       | 515025      | PORTAFUSIBILE TRIPOLARE                 | 3-POLE FUSE HOLDER                          |
| 13       | 220052      | VITE TCB AUTOFILETTANTE 2.9x9.5         | SELF-TAPPING SCREW TCB 2,9x9,5              |
| 14       | 522139      | CONTATTORE 5,5KW AC3 400V               | CONTACTOR 5,5KW AC3 400V                    |
| 15       | 070665110   | SUPPORTO COMPONENTI                     | PARTS SUPPORT                               |
| 16       | 510145      | MORSETTO A VITE 2,5mmq                  | SCREW TERMINAL 2,5 sq.mm                    |
| 17       | 510207      | MORSETTO A VITE 2.5mmq 4 CONNESSIONI    | SCREW TERMINAL 2,5 sq.mm 4 CONN.            |
| 18       | 510209      | PIASTRINA TERMINALE                     | TERMINAL PLATE                              |
| 19       | 999912900   | TARGHETTA COLLEG.CAVO ALIMENTAZIONE     | POWER CABLE CONNECT. PLATE                  |
| 20       | 527061      | FINECORSA PIZZATO art.FR551A            | PINCHED LIMIT SWITCH part No.FR551A         |
| 21       | 599252      | PRESSACAVO PG11 CEMBRE art. 1900.11     | CABLE GLAND PG11 CEMBRE part No. 1900.11    |
| 22       | 047265111   | INSIEME CAVO DA CASS.EL.A MOTORE 1      | INS.CABLE FROM EL.CABINET TO MOTOR          |
| 23       | 047265021   | INS.CAVO DA CASS.EL.A GIUNZ.FCD         | INS.CABLE FROM EL.CABINET TO FCD JOINT      |
| 24       | 046510260   | INS.CAVO DA GIUNZIONE A FCD             | CONNECT.TO FCD CABLE ASSY                   |
| 25       | 527059      | FINECORSA PIZZATO art.FR530A            | PINCHED LIMIT SWITCH part No.FR530A         |
| 26       | 047265011   | INS.CAVO DA CASS.EL.A FCS               | INS.CABLE FROM EL.CABINET TO FCS            |
| 27       | 046410582   | INSIEME CAVO DA CASS.EL.A SCAT.DER.     | ELECT.BOX TO SHUNT BOX CONN CABLE ASSY      |
| 28       | 510108      | MORSETTO A VITE 4mmq                    | SCREW TERMINAL 4 sq.mm                      |
| 29       | 510150      | MORSETTO A VITE 4mmq giallo/verde       | SCREW TERMINAL 4 sq.mm YELLOW/GREEN         |
| 30       | 044565090   | PIASTRA PORTA COMPONENTI                | PARTS HOLDER PLATE                          |
| 31       | 046410271   | SCATOLA DI DERIVAZIONE                  | SHUNT BOX                                   |
| 32       | 046410592   | INSIEME CAVO DA SCAT.DER.A MOTORE 2     | SHUNT BOX TO MOTOR 2 CABLE ASSY             |
| 33       | 515027      | PORTAFUSIBILE BIPOLARE                  | 2-POLE FUSE HOLDER                          |
| 34       | 507095      | FUSIBILE 10x38 1A 500V gl rapido        | FUSE 10x38 1A 500V gl quick type            |
| 35       | 507043      | FUSIBILE 5x20F 2A 250V rapido           | FUSE 5x20F 2A 250V quick type               |
| 36       | 599431      | GHIERA M12x1,5 art.1143M12 CEMBRE       | RING NUT M12x1,5 part No.1143M12 CEMBRE     |
| 36       | 599428      | PRESSACAVO M12x1,5 art. 1900.M12 CEMBRE | CABLE GLAND M12x1.5 part No.1900.M12 CEMBRE |
| 37       | 599433      | GHIERA M25x1,5 art.1143M25 CEMBRE       | RING NUT M25x1,5 part No.1143M25 CEMBRE     |
| 37       | 599430      | PRESSACAVO M25x1,5 art. 1900.M25 CEMBRE | CABLE GLAND M25x1.5 part No.1900.M25 CEMBRE |

TUTTI I MODELLI-ALL MODELS\*

25-07-2011

(\*) Vedi intestazione: "Valida per i modelli" (INDICE DELLE TAVOLE) - See: "Apply to models" (INDEX OF SPARE PARTS TABLES)

0472-R012-7

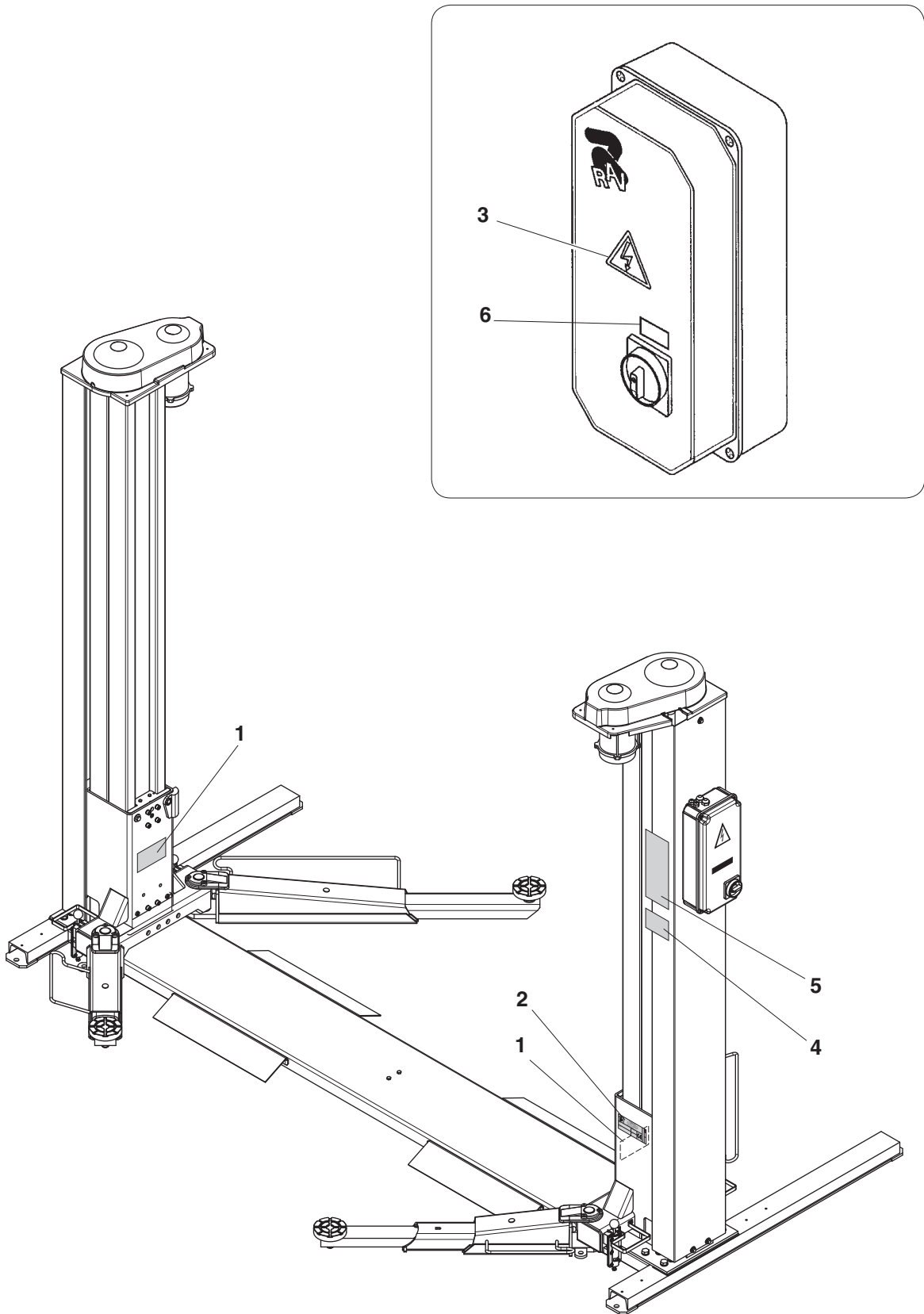


Denominazione tavola – Table definition

**ADESIVI E DISPOSITIVI SEGNAL. DI PERICOLO**  
**TABLE FOR LABELS AND DANGER WARNING DEVICES**

N° / Indice  
tavola / di modifica  
Table / Change  
no / index

**10/0**



11-04-2006

Denominazione tavola – *Table definition***ADESIVI E DISPOSITIVI SEGNAL. DI PERICOLO**  
**TABLE FOR LABELS AND DANGER WARNING DEVICES**N° / Indice  
tavola / di modifica  
Table / Change  
no / index**10/0**

| RIF.<br>REF | CODICE<br>CODE | DESCRIZIONE<br>DESCRIPTION  | APPLICAZIONE<br>APPLICATION       |
|-------------|----------------|---|-----------------------------------|
| 1           | 99990492       | TARGHETTA PORTATA 3000 Kg<br><i>PLATE CAPACITY 3000 Kg</i>          | KPS224HE-KPS224HER<br>KPS224HEK   |
|             | 99990637       | TARGHETTA PORTATA 3500 Kg<br><i>PLATE CAPACITY 3500 Kg</i>          | KPS234HE-KPS234HEK<br>KPS234HELIK |
| 2           |                | TARGA MATRICOLA<br><i>SERIAL NUMBER PLATE</i>                       | TUTTI I MODELLI-ALL MODELS*       |
| 3           | 99990758       | TARGHETTA PERICOLO<br><i>DANGER PLATE</i>                           |                                   |
| 4           | 999908141      | TARGHETTA RIPARTIZIONE CARICO<br><i>PLATE FOR LOAD DISTRIBUTION</i> | KPS224HE-KPS224HER<br>KPS224HEK   |
|             | 999908281      | TARGHETTA RIPARTIZIONE CARICO<br><i>PLATE FOR LOAD DISTRIBUTION</i> | KPS234HE-KPS234HEK<br>KPS234HELIK |
| 5           | 999909850      | TARGHETTA ISTRUZIONI<br><i>INSTRUCTION PLATE</i>                    | TUTTI I MODELLI-ALL MODELS*       |
| 6           | 999912380      | TARGHETTA VOLT 400<br><i>PLATE VOLT 400</i>                         |                                   |

11-04-2006

(\*) Vedi intestazione: "Valida per i modelli" (INDICE DELLE TAVOLE) - See: "Apply to models" (INDEX OF SPARE PARTS TABLES)

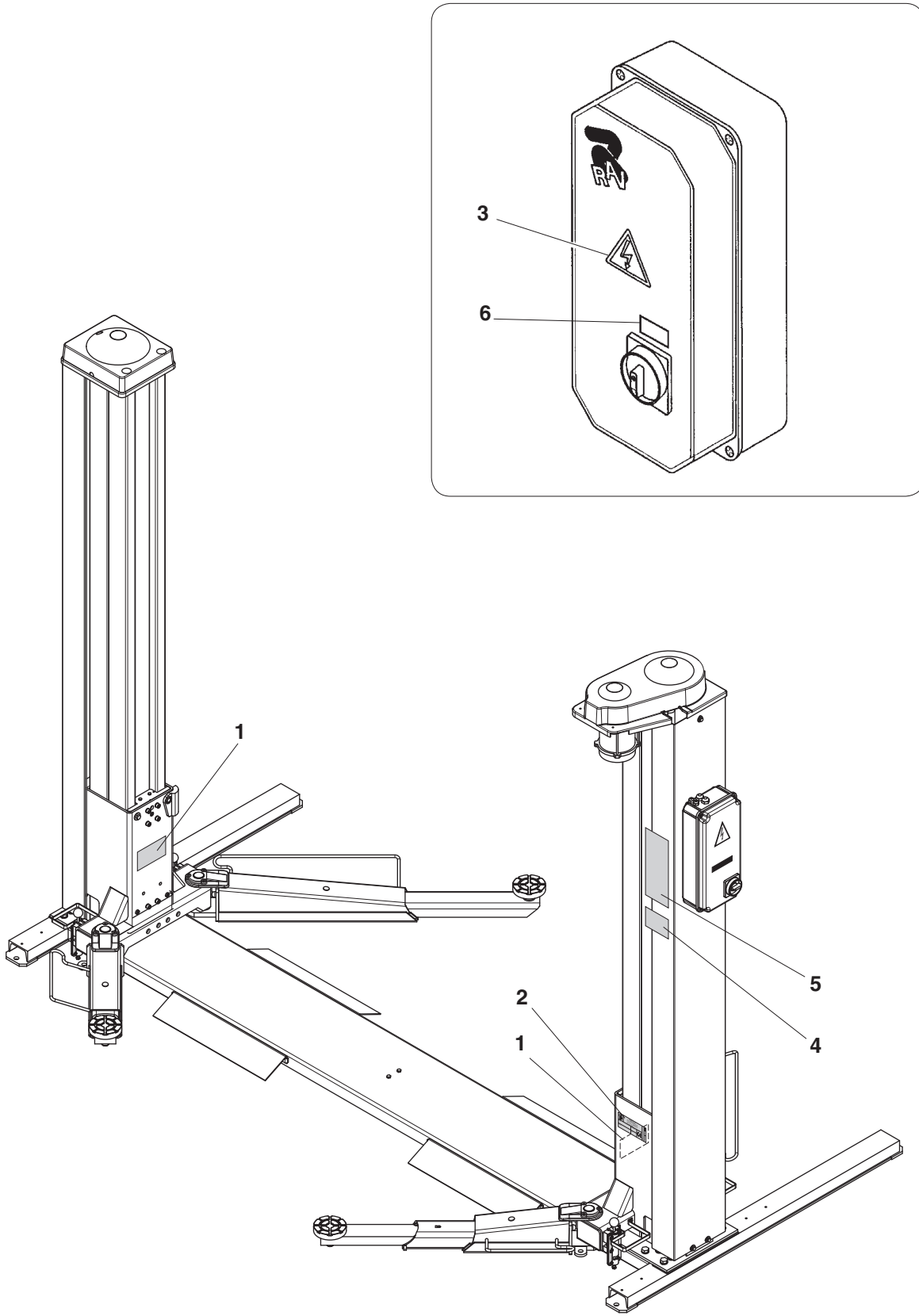


Denominazione tavola – Table definition

**ADESIVI E DISPOSITIVI SEGNAL. DI PERICOLO**  
**TABLE FOR LABELS AND DANGER WARNING DEVICES**

N° / Indice  
tavola / di modifica  
Table / Change  
no / index

**10/1**



9-02-2010



Denominazione tavola – Table definition

**ADESIVI E DISPOSITIVI SEGNAL. DI PERICOLO**  
**TABLE FOR LABELS AND DANGER WARNING DEVICES**

N° / Indice  
tavola / di modifica  
Table / Change  
no / index

**10/1**

| RIF.<br>REF | CODICE<br>CODE | DESCRIZIONE<br>DESCRIPTION    |                             | APPLICAZIONE<br>APPLICATION |
|-------------|----------------|-------------------------------|-----------------------------|-----------------------------|
| 1           | 99990637       | TARGHETTA PORTATA 3500 Kg     | PLATE CAPACITY 3500 Kg      | TUTTI I MODELLI-ALL MODELS* |
| 2           |                | TARGA MATRICOLA               | SERIAL NUMBER PLATE         |                             |
| 3           | 99990758       | TARGHETTA PERICOLO            | DANGER PLATE                |                             |
| 4           | 999908281      | TARGHETTA RIPARTIZIONE CARICO | PLATE FOR LOAD DISTRIBUTION |                             |
| 5           | 999909850      | TARGHETTA ISTRUZIONI          | INSTRUCTION PLATE           |                             |
| 6           | 999912380      | TARGHETTA VOLT 400            | PLATE VOLT 400              |                             |

9-02-2010

(\*) Vedi intestazione: "Valida per i modelli" (INDICE DELLE TAVOLE) - See: "Apply to models" (INDEX OF SPARE PARTS TABLES)

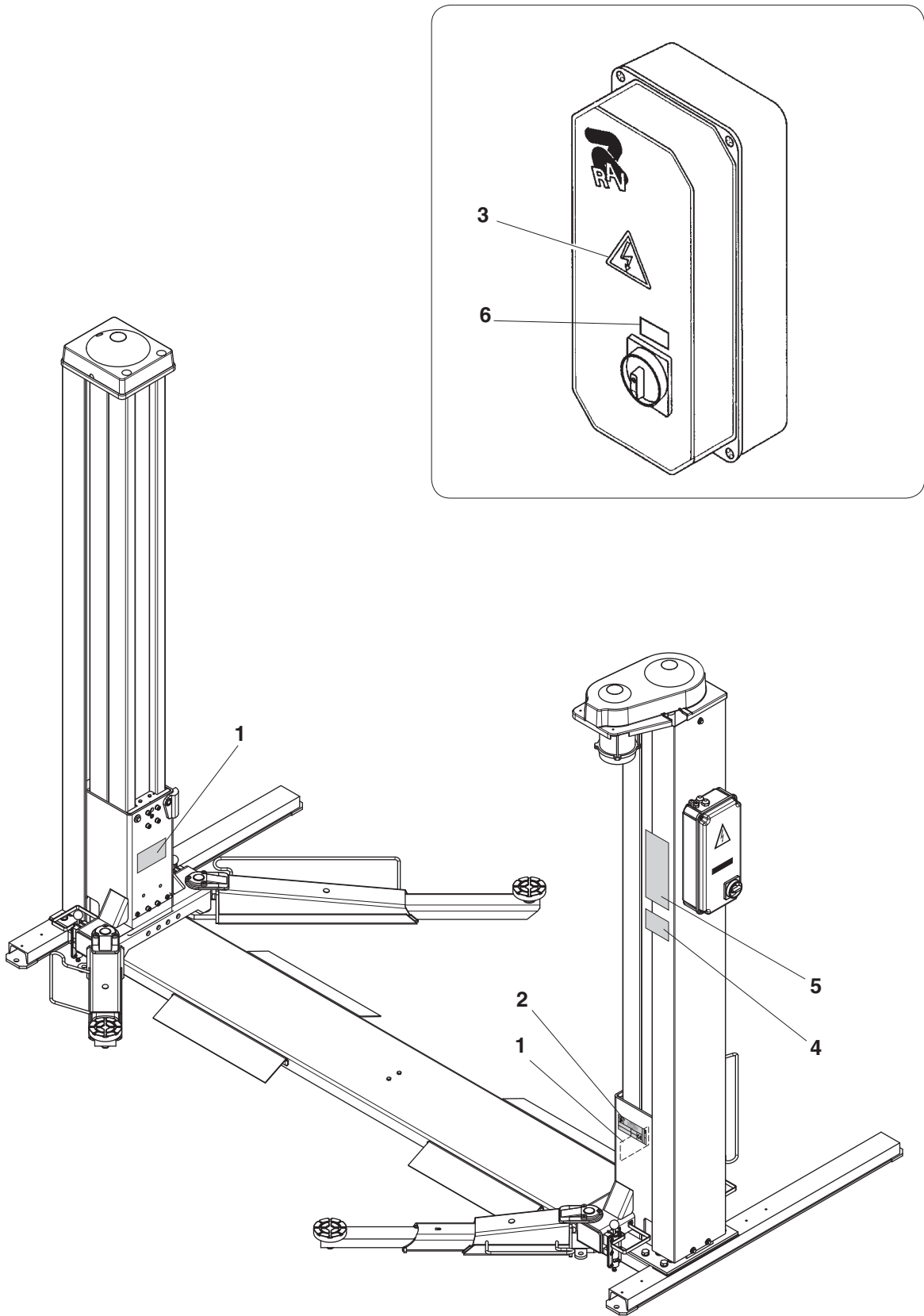


Denominazione tavola – Table definition

**ADESIVI E DISPOSITIVI SEGNAL. DI PERICOLO**  
**TABLE FOR LABELS AND DANGER WARNING DEVICES**

N° / Indice  
tavola / di modifica  
Table / Change  
no / index

**10/2**



8-07-2010

Denominazione tavola – *Table definition***ADESIVI E DISPOSITIVI SEGNAL. DI PERICOLO**  
**TABLE FOR LABELS AND DANGER WARNING DEVICES**N° / Indice  
tavola / di modifica  
Table / Change  
no / index**10/2**

| RIF.<br>REF | CODICE<br>CODE | DESCRIZIONE<br>DESCRIPTION    |                                    | APPLICAZIONE<br>APPLICATION          |
|-------------|----------------|-------------------------------|------------------------------------|--------------------------------------|
| 1           | 99990637       | TARGHETTA PORTATA 3500 Kg     | <i>PLATE CAPACITY 3500 Kg</i>      | KPS234HE<br>KPS234HEK<br>KPS234HELIK |
| 1           | 999908950      | TARGHETTA PORTATA 4000 Kg     | <i>PLATE CAPACITY 4000 Kg</i>      | KPS244HE<br>KPS244HEK<br>KPS244HELIK |
| 2           |                | TARGA MATRICOLA               | <i>SERIAL NUMBER PLATE</i>         |                                      |
| 3           | 99990758       | TARGHETTA PERICOLO            | <i>DANGER PLATE</i>                | TUTTI I MODELLI-ALL MODELS*          |
| 4           | 999908281      | TARGHETTA RIPARTIZIONE CARICO | <i>PLATE FOR LOAD DISTRIBUTION</i> | KPS234HE<br>KPS234HEK<br>KPS234HELIK |
| 4           | 999912070      | TARGHETTA RIPARTIZIONE CARICO | <i>PLATE FOR LOAD DISTRIBUTION</i> | KPS244HE<br>KPS244HEK<br>KPS244HELIK |
| 5           | 999909850      | TARGHETTA ISTRUZIONI          | <i>INSTRUCTION PLATE</i>           |                                      |
| 6           | 999912380      | TARGHETTA VOLT 400            | <i>PLATE VOLT 400</i>              | TUTTI I MODELLI-ALL MODELS*          |

8-07-2010

(\*) Vedi intestazione: "Valida per i modelli" (INDICE DELLE TAVOLE) - See: "Apply to models" (INDEX OF SPARE PARTS TABLES)

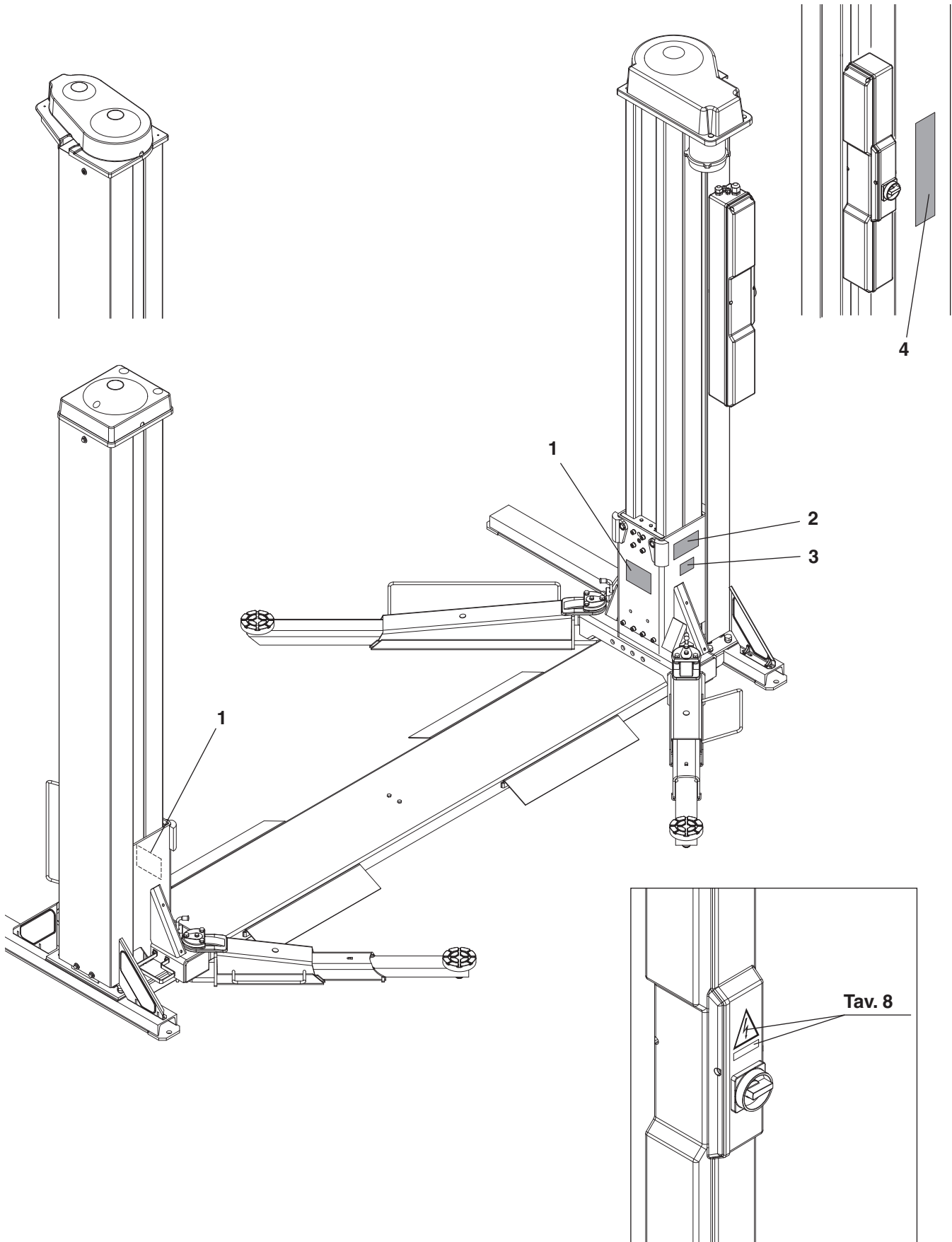


Denominazione tavola – Table definition

# ADESIVI E DISPOSITIVI SEGNAL. DI PERICOLO TABLE FOR LABELS AND DANGER WARNING DEVICES

N° / Indice  
tavola / di modifica  
Table / Change  
no / index

**10/3**



Denominazione tavola – *Table definition***ADESIVI E DISPOSITIVI SEGNAL. DI PERICOLO**  
**TABLE FOR LABELS AND DANGER WARNING DEVICES**N° / Indice  
tavola / di modifica  
Table / Change  
no / index**10/3**

| RIF.<br>REF | CODICE<br>CODE | DESCRIZIONE<br>DESCRIPTION    |                                    | APPLICAZIONE<br>APPLICATION          |
|-------------|----------------|-------------------------------|------------------------------------|--------------------------------------|
| 1           | 99990637       | TARGHETTA PORTATA 3500 Kg     | <i>PLATE CAPACITY 3500 Kg</i>      | KPS234HE<br>KPS234HEK                |
| 1           | 999908950      | TARGHETTA PORTATA 4000 Kg     | <i>PLATE CAPACITY 4000 Kg</i>      | KPS244HE<br>KPS244HEK<br>KPS244HELIK |
| 2           |                | TARGA MATRICOLA               | <i>SERIAL NUMBER PLATE</i>         | TUTTI I MODELLI-ALL MODELS*          |
| 3           | 999908282      | TARGHETTA RIPARTIZIONE CARICO | <i>PLATE FOR LOAD DISTRIBUTION</i> | KPS234HE<br>KPS234HEK                |
| 3           | 999912071      | TARGHETTA RIPARTIZIONE CARICO | <i>PLATE FOR LOAD DISTRIBUTION</i> | KPS244HE<br>KPS244HEK<br>KPS244HELIK |
| 5           | 999909850      | TARGHETTA ISTRUZIONI          | <i>INSTRUCTION PLATE</i>           | TUTTI I MODELLI-ALL MODELS*          |

16-09-2011

(\*) Vedi intestazione: "Valida per i modelli" (INDICE DELLE TAVOLE) - See: "Apply to models" (INDEX OF SPARE PARTS TABLES)

PAGINA LASCIATA INTENZIONALMENTE BIANCA  
PAGE INTENTIONELLY LEFT BLANK  
ABSICHTLICH LEER GELASSENE SEITE  
PAGE INTENTIONELLEMENT VIDE  
PAGINA VACÍA INTENCIONADAMENTE