

KPH370.50KU KPH370.50LIKU

CATALOGO RICAMBI
SPARE PARTS CATALOGUE

0487-R007-0



**Manuale valido per i
seguenti modelli:**

**This manual is valid for
the following models:**

KPH370.50KU
KPH370.50LIKU

Redatto da ESSEBI (Bologna)

COMPOSIZIONE

30 pagine (copertine comprese)

COMPOSITION

30 pages (including cover pages)

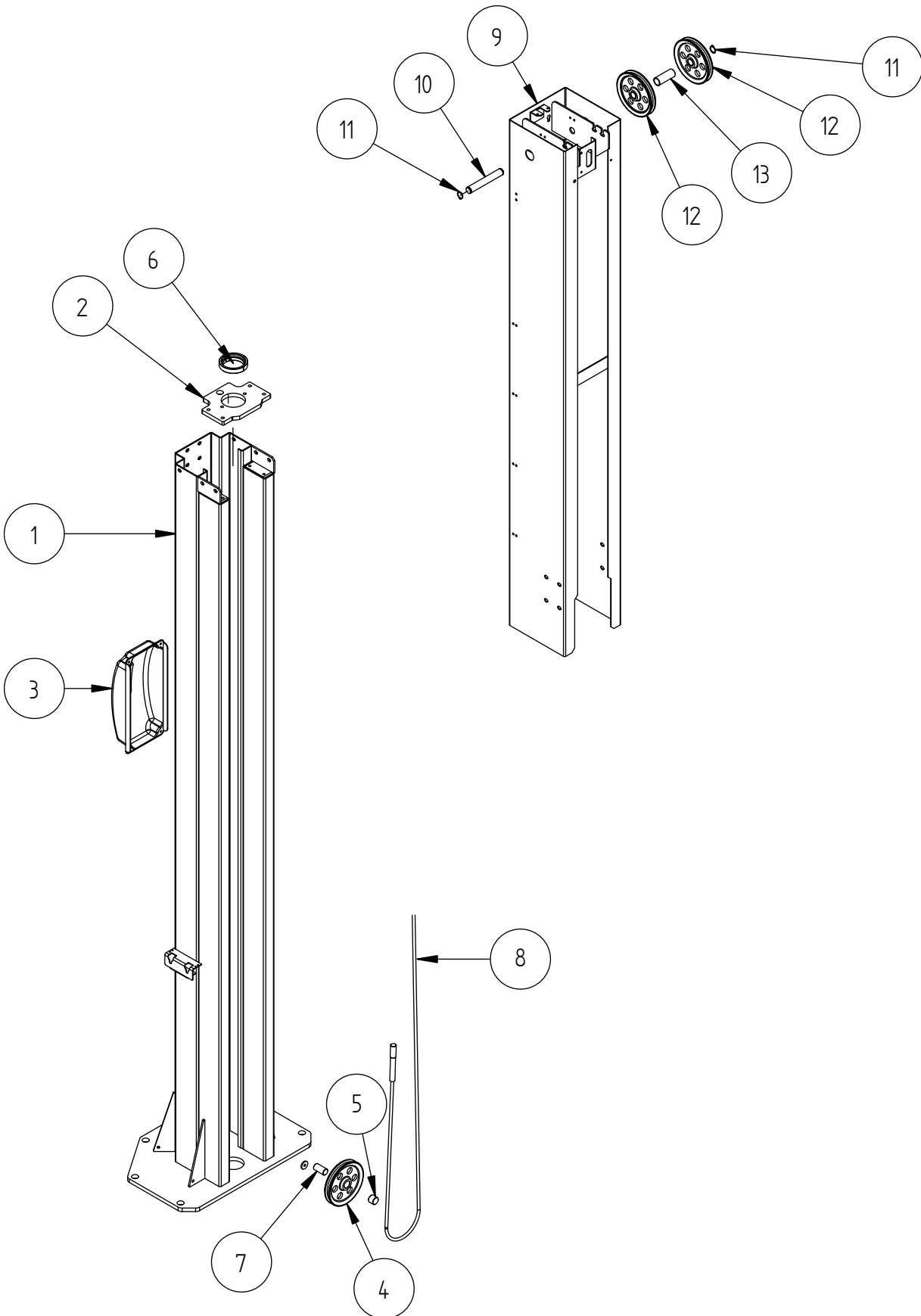
- Per eventuali chiarimenti interpellare il più vicino rivenditore oppure rivolgersi direttamente a:
- For any further information please contact your local dealer or call:

RAVAGLIOLI S.p.A. - After Sales Service - Via 1° Maggio 3 - 40037 Pontecchio Marconi - Bologna - Italy
Phone + 39 (051) 6781511 - Fax + 39 (051) 846349 - e-mail: aftersales@ravaglioli.com

0487-R007-0 Rev. n. 0 (10-2013)

GRUPPO COLONNA
COLUMN GROUP

1/0



Denominazione tavola - Table definition

**GRUPPO COLONNA
COLUMN GROUP**

N°tavola / Indice di modifica
Table no. / Change index

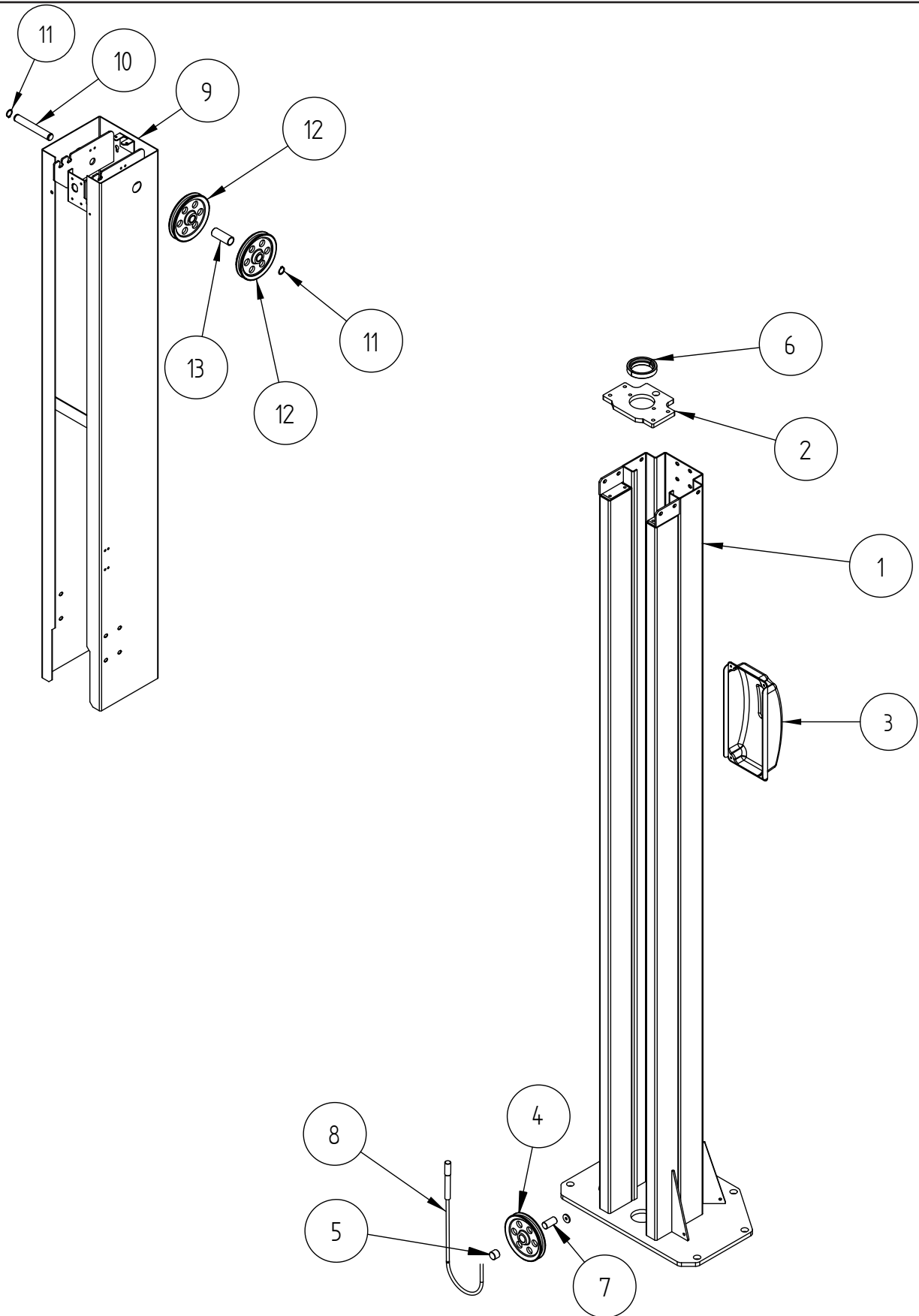
1/0

RIF. REF	CODICE CODE	DESCRIZIONE DESCRIPTION		APPLICAZIONE APPLICATION
1	048710010	INS.COL.COMANDO	CONTROL POST ASSEMBLY	Valido per tutti i modelli citati sulla copertina. - Valid for all models indicated in the cover.
2	048711110	PIASTRA CHIUSURA COLON.	PLATE	
3	048413120	CARTER MARTELLETTO COL COM	CARTER	
4	048712300	PULEGGIA Ø160/27X30 FUNE 10	PULLEY	
5	630118	BOCCOLA	BUSH	
6	048461130	SEMI ANELLO SOSTEGNO CIL Ø50	HALF RING	
7	048412041	PERNO PULEGGIA INFERIORE X1	PIN	
8	048721020	FUNE RIALLINEO	ROPE	
9	048710060	INS.PROLUNGA	EXTENSION UNIT	
10	048412020	PERNO PULEGGE PORTALE	PIN	
11	243012	ANELLO PER EST, 24 UNI-7435	SEEGER RING	
12	048712300	PULEGGIA Ø160/10	PULLEY	
13	048412050	DISTANZIALE PULEGGE	SPACER	

(*) Vedi intestazione: "Valida per i modelli" - See: "Apply to models"

GRUPPO COLONNA
COLUMN GROUP

2/0



Denominazione tavola - Table definition

**GRUPPO COLONNA
COLUMN GROUP**

N°tavola / Indice di modifica
Table no. / Change index

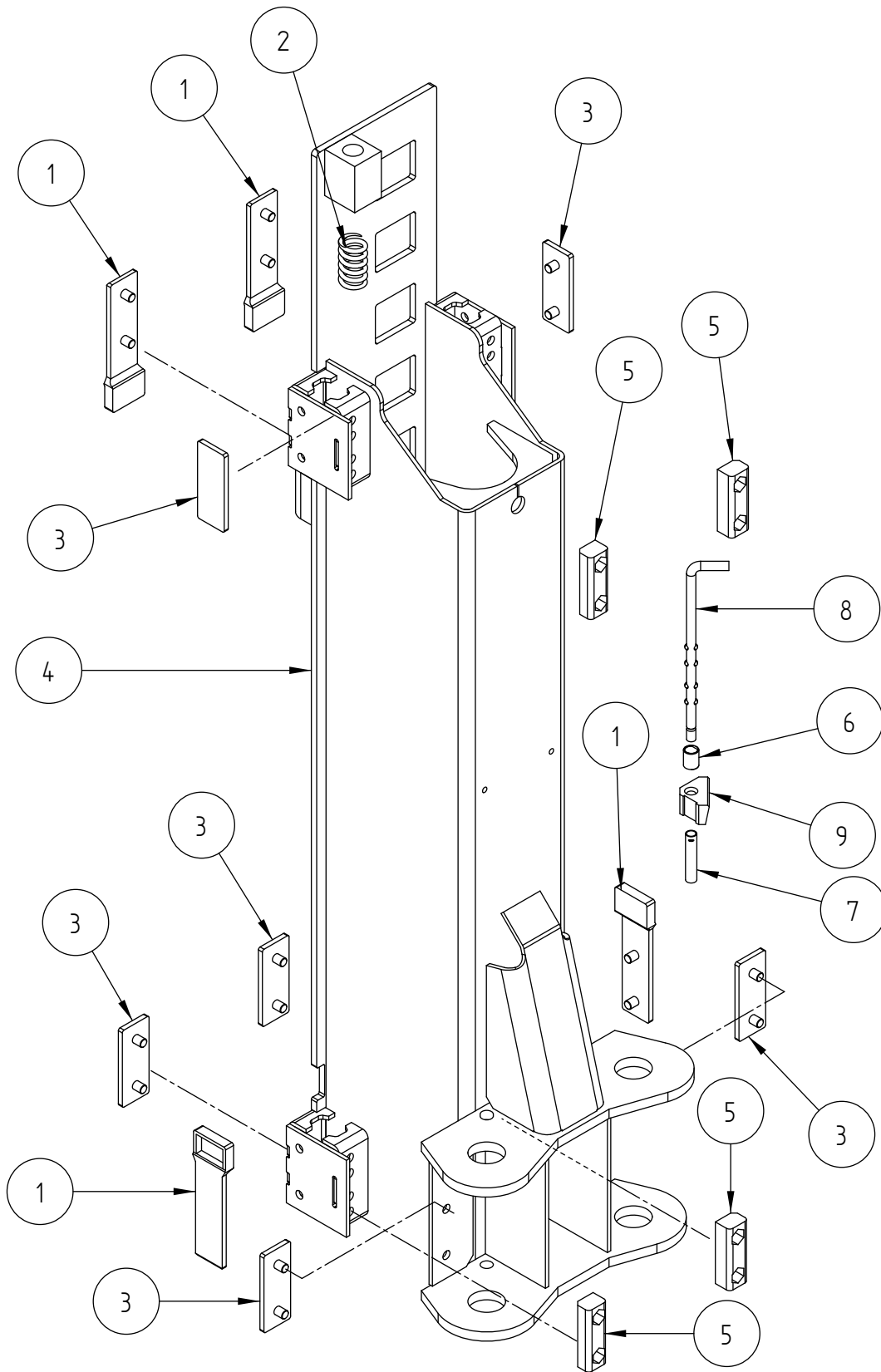
2/0

RIF. REF	CODICE CODE	DESCRIZIONE DESCRIPTION		APPLICAZIONE APPLICATION
1	048710020	INS.COL.OPPOSTA	OPPOSITE POST ASSEMBLY	Valido per tutti i modelli citati sulla copertina. - Valid for all models indicated in the cover.
2	048711110	PIASTRA CHIUSURA COLON.	PLATE	
3	048413130	CARTER MARTELLETTO L LEVA	CARTER	
4	048712300	PULEGGIA Ø160/27X30 FUNE 10	PULLEY	
5	630118	BOCCOLA	BUSH	
6	048861130	SEMI ANELLO SOSTEGNO CIL Ø50	HALF RING	
7	048412041	PERNO PULEGGIA INFERIORE X1	PIN	
8	048721020	FUNE RIALLINEO	ROPE	
9	048710060	INS.PROLUNGA	EXTENSION UNIT	
10	048412020	PERNO PULEGGE PORTALE	PIN	
11	243012	ANELLO PER EST, 24 UNI-7435	SEEGER RING	
12	048712300	PULEGGIA Ø160/10	PULLEY	
13	048412050	DISTANZIALE PULEGGE	SPACER	

(*) Vedi intestazione: "Valida per i modelli" - See: "Apply to models"

INSIEME CARRELLO CARRIAGE UNIT

3/0



Denominazione tavola - Table definition

**INSIEME CARRELLO
CARRIAGE UNIT**

N°tavola / Indice di modifica
Table no. / Change index

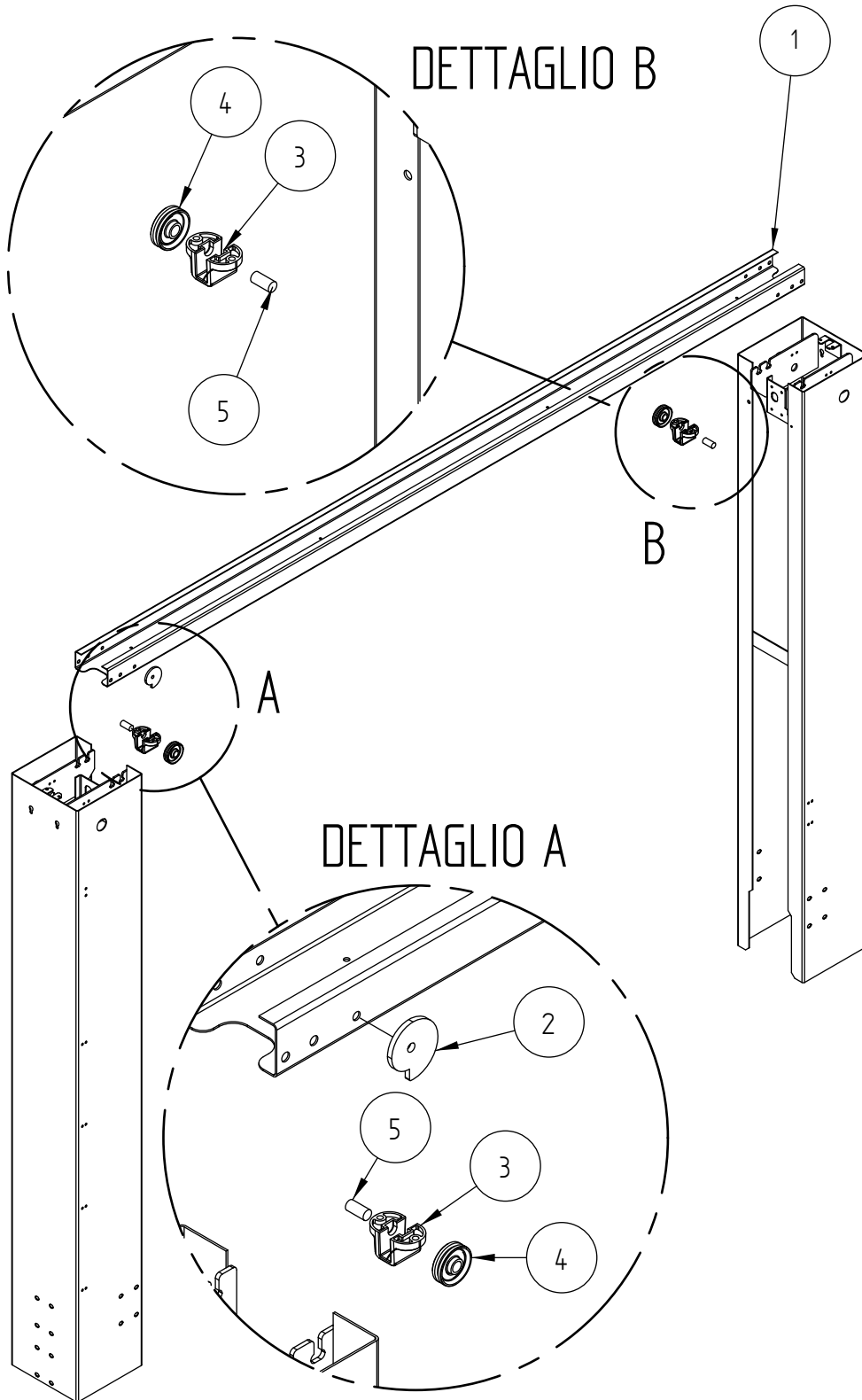
3/0

RIF. REF	CODICE CODE	DESCRIZIONE DESCRIPTION		APPLICAZIONE APPLICATION
1	47019360	PATTINO PORTAFELTRO	SLIDING BLOCK	Valido per tutti i modelli citati sulla copertina. - Valid for all models indicated in the cover.
2	950001750	MOLLA TENSIONAMENTO FUNE	SPRING	
3	47019080	PATTINO POSTERIORE	SLIDING BLOCK	
4	48714020	INS.CARRELLO 370.50	CARRIAGE UNIT	
5	48419010	PATTINO ANTERIORE	SLIDING BLOCK	
6	950001480	MOLLA ARRESTO DENTATO CORTA	SPRING	
7	48421161	TUBINO ARRESTO BRACCI 42	TUBE	
8	48421151	ASTA APPOGGIO ARRESTO 370.42	STOP REST ROD	
9	47021630	BLOCCHETTO ARRESTO	SLIDING BLOCK	

(*) Vedi intestazione: "Valida per i modelli" - See: "Apply to models"

**PORTALE
METAL COVER**

4/0



Denominazione tavola - Table definition

**PORTALE
METAL COVER**

N°tavola / Indice di modifica
Table no. / Change index

4/0

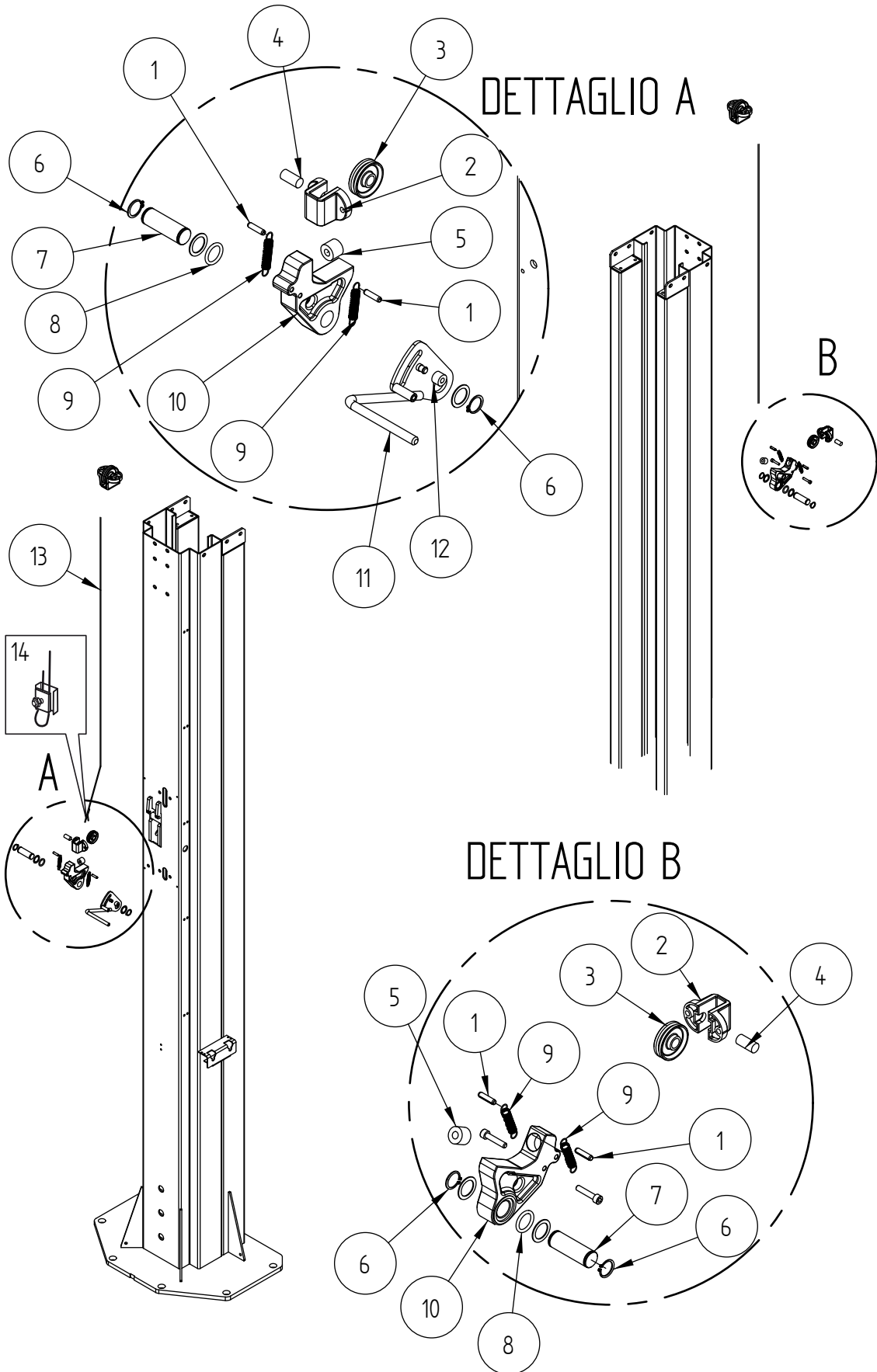
RIF. REF	CODICE CODE	DESCRIZIONE DESCRIPTION		APPLICAZIONE APPLICATION
1	048712100	PORTALE	FRONT COVER	Valido per tutti i modelli citati sulla copertina. - Valid for all models indicated in the cover.
2	048412080	CAMMA APPOGGIO	CAM	
3	048413090	APPOGGIO RULLINO RINVIO	SUPPORT	
4	047019231	CARRUCOLA 337	PULLEY	
5	234206	SPINA CIL. H8 12 X 25 UNI 1707	PIN	

(*) Vedi intestazione: "Valida per i modelli" - See: "Apply to models"

0487-R007-0

**GRUPPO MARTELLETTI
BREAKER ARMS GROUP**

5/0



Denominazione tavola - Table definition

**GRUPPO MARTELLETTI
BREAKER ARMS GROUP**

N°tavola / Indice di modifica
Table no. / Change index

5/0

RIF. REF	CODICE CODE	DESCRIZIONE DESCRIPTION	APPLICAZIONE APPLICATION
1	235095	SPINA EL LEGGERA X 24 UNI-6874	PIN
2	048413090	APPOGGIO RULLINO RINVIO	SUPPORT
3	047019231	CARRUCOLA 337	PULLEY
4	234206	SPINA CIL. H8 12 X 25 UNI 1707	PIN
5	413178	MOLLA 20X8,5X16 LAGOS	SPRING
6	243010	ANELLO PER EST, 20 UNI-7435	SEEGER RING
7	048413111	PERNO MARTELLETTO X1	PIN
8	401055	GUARN., OR 4081 ,DI 20.22 X 3.53	O-RING
9	950001300	MOLLA	SPRING
10	048413102	MARTELLETTO X1	BREAKER ARM
11	048413051	INS.LEVA SGANCIO X1	LEVER UNIT
12	048413170	PARACOLPO LEVA MARTELLETTO	BUMPERS
13	048420060	CAVO SGANCIO MARTELLETTO	CABLE
14	999097	MORSETTO	CLAMP

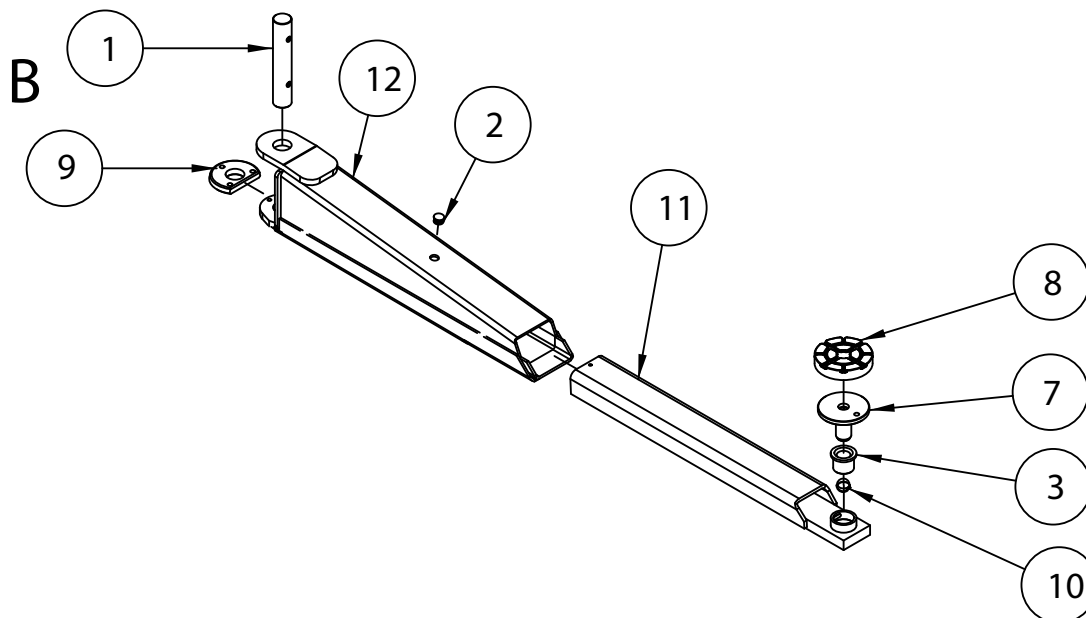
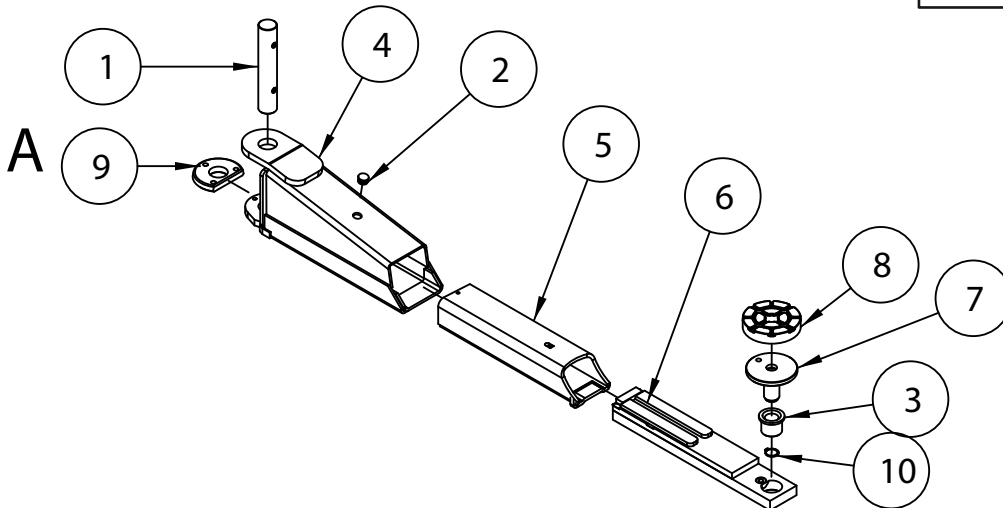
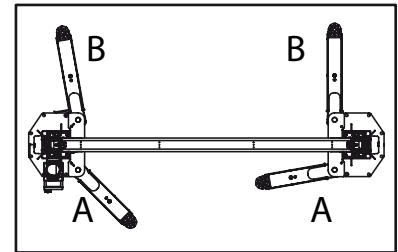
Valido per tutti i modelli citati sulla
copertina.

—
Valid for all models indicated in the
cover.

(*) Vedi intestazione: "Valida per i modelli" - See: "Apply to models"

GRUPPO BRACCI DI SOLLEVAMENTO LIFTING ARM UNIT

6A/0



Denominazione tavola - Table definition

**GRUPPO BRACCI DI SOLLEVAMENTO
LIFTING ARM UNIT**

N°tavola / Indice di modifica
Table no. / Change index

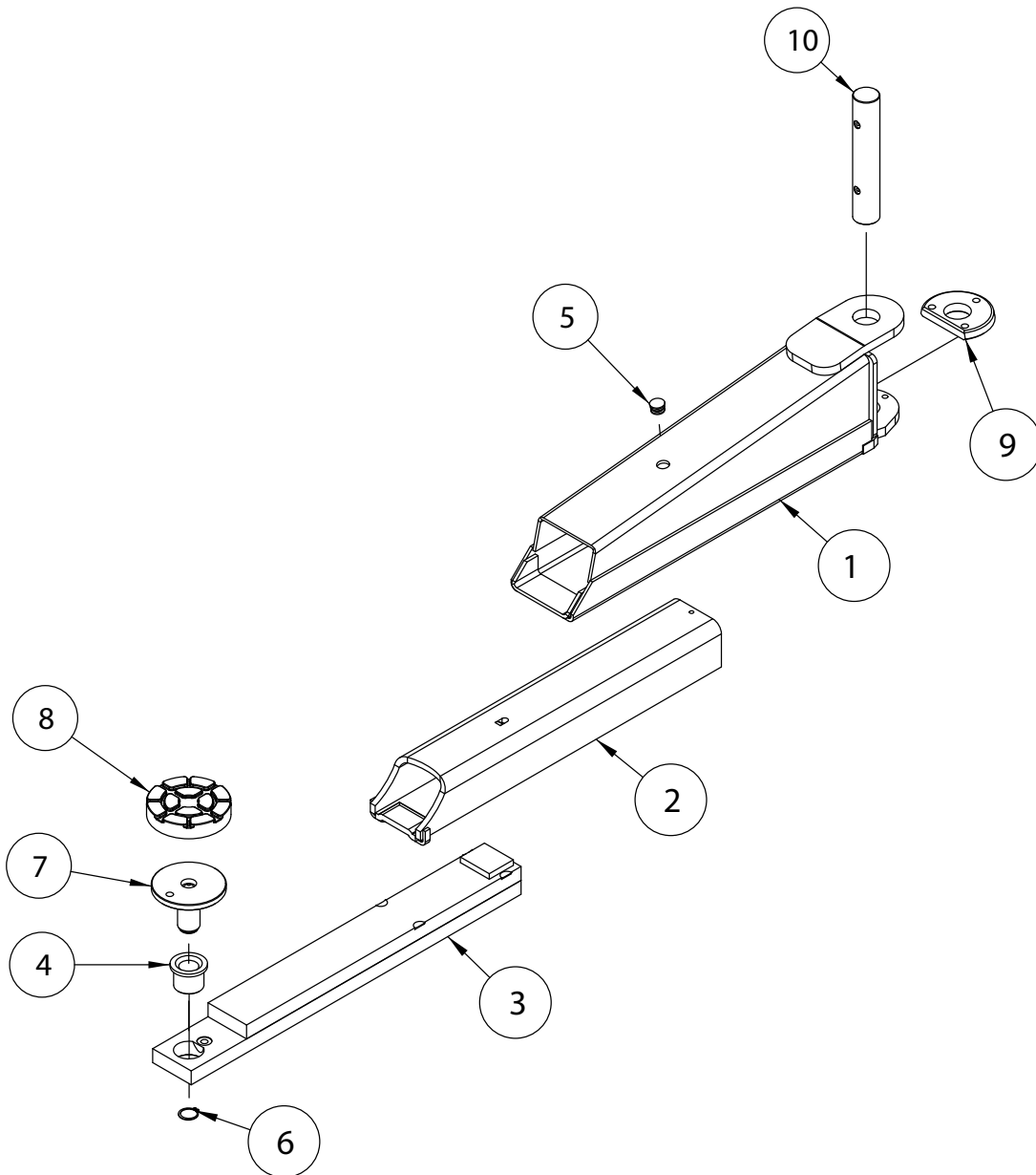
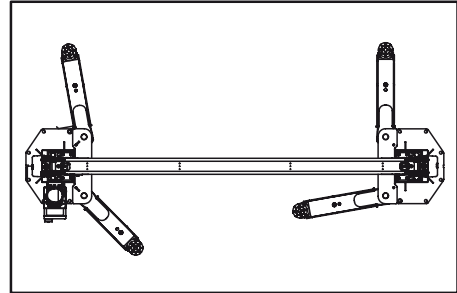
6A/0

RIF. REF	CODICE CODE	DESCRIZIONE DESCRIPTION		APPLICAZIONE APPLICATION
1	044616051	PERNO LUNGO BRACCI	PIN	
2	413166	TAPPO ALETT.D.22X1,5 T.TONDA	PLUG	
3	048417160	BOCCOLA FILETTATA M33	THREADED BUSH	
4	048416102	INS. BRACCIO CORTO SS	ARM UNIT	
5	047016261	INS. PRIMA PROLUNGA	1ST EXTENSION UNIT	
6	048716050	INS.II PROL 370.50K CORTO	2ND EXTENSION UNIT	
7	048417190	INS.PIATTELLO M33 H71	PLATE	
8	046405772	TAMPONE Ø125	PAD	
9	047021620	RUOTA DENTATA ARRESTO BRACCI	TOOTHED WHEEL	
10	243015	ANELLO PER EST, 27 UNI-7435	SEEGER RING	
11	048716070	INS.PROL.BRACCIO LUNGO 370.50K	EXTENSION UNIT	
12	044616111	INS.BRACCIO LUNGO DS	ARM UNIT	

(*) Vedi intestazione: "Valida per i modelli" - See: "Apply to models"

**GRUPPO BRACCI DI SOLLEVAMENTO
LIFTING ARM UNIT**

6B/0



Denominazione tavola - Table definition

**GRUPPO BRACCI DI SOLLEVAMENTO
LIFTING ARM UNIT**

N°tavola / Indice di modifica
Table no. / Change index

6B/0

RIF. REF	CODICE CODE	DESCRIZIONE DESCRIPTION		APPLICAZIONE APPLICATION
1	048716080	INS.CORPO BRACCIO	ARM UNIT (LEFT)	
2	048716110	INS. PRIMA PROLUNGA	1ST EXTENSION UNIT	
3	048716040	INS. SECONDA PROLUNGA	2ND EXTENSION UNIT	
4	048417160	BOCCOLA FILETTATA M33	THREADED BUSH	
5	413166	TAPPO ALETT.D.22X1,5 T.TONDA	PLUG	
6	243015	ANELLO PER EST, 27 UNI-7435	SEEGER RING	
7	048417190	INS.PIATTELLO M33 H71	PLATE	
8	046405772	TAMPONE Ø125	PAD	
9	047021620	RUOTA DENTATA ARRESTO BRACCI	TOOTHED WHEEL	
10	44616051	PERNO LUNGO BRACCI	PIN	

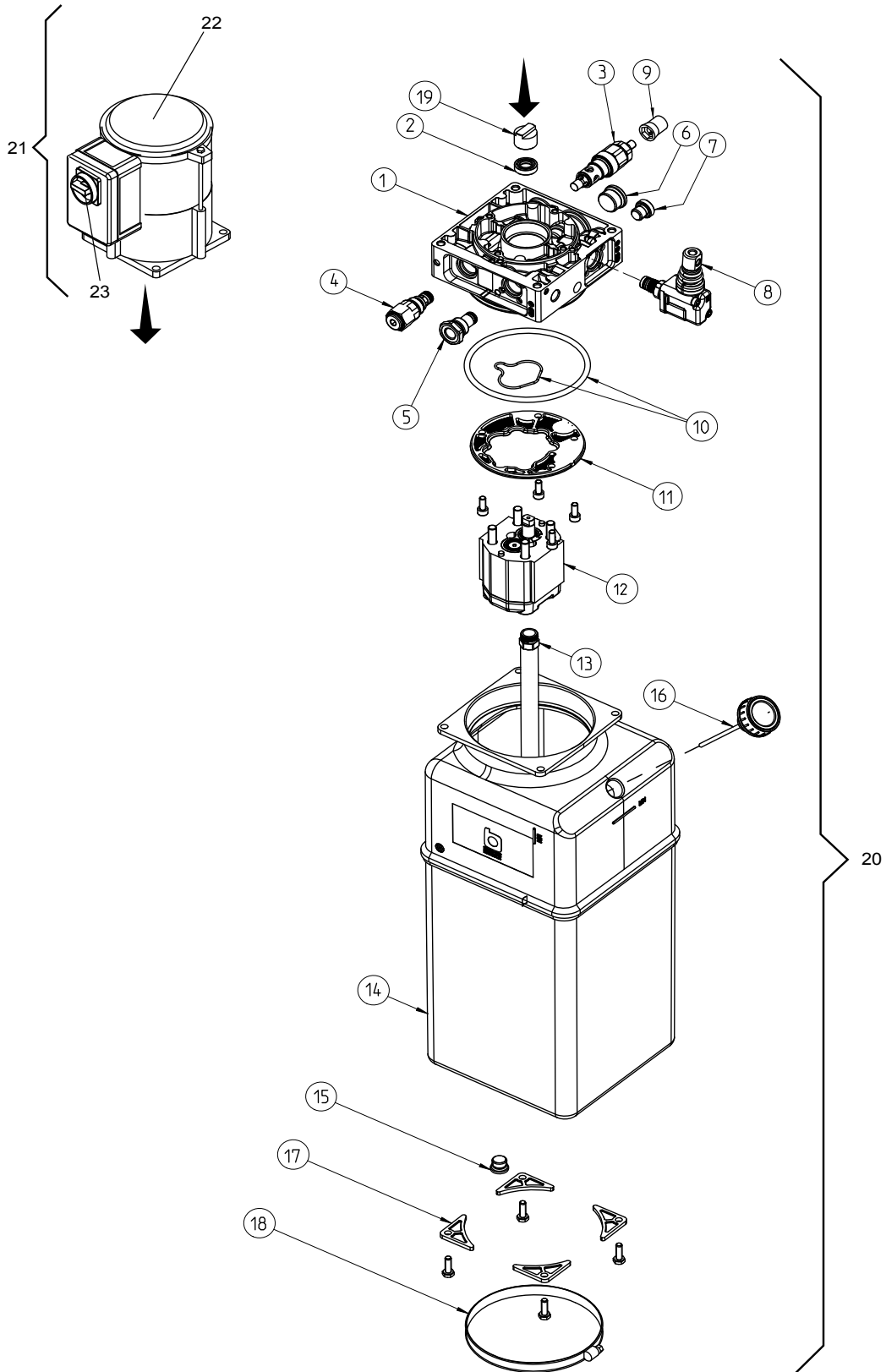
(*) Vedi intestazione: "Valida per i modelli" - See: "Apply to models"

0487-R007-0

**CENTRALINA IDRAULICA 1PH
HYDRAULIC POWER PACK**

BUCHER HYDRAULIC

7/0



Denominazione tavola - Table definition

**CENTRALINA IDRAULICA 1PH
HYDRAULIC POWER PACK****BUCHER HYDRAULIC**N°tavola / Indice di modifica
Table no. / Change index**7/0**

RIF. REF	CODICE CODE	DESCRIZIONE DESCRIPTION		APPLICAZIONE APPLICATION
1	048470230	COLLETTORE CENTRALE	MANIFOLD	Valido per tutti i modelli citati sulla copertina. - Valid for all models indicated in the cover.
2	058070320	GUARNIZIONE	GASKET	
3	048870010	VALVOLA	VALVE	
4	058071150	VALVOLA	VALVE + PLUG	
5	048470250	TAPPO	PLUG	
6	048370040	TAPPO	PLUG	
7	058071580	TAPPO	PLUG	
8	048470260	VALVOLA	VALVE	
9	048470280	TAPPO PIOMBATURA	PLUG	
10	058770220	KIT GUARN.CORPO	GASKETS KIT	
11	150671160	FILTRO	FILTER	
12		POMPA INGRANAGGI	GEAR PUMP	
13	048870040	TUBO ASPIRAZIONE	SUCTION PIPE	
14		SERBATOIO	OIL TANK	
15	070171090	TAPPO	TAPPO	
16	058770170	TAPPO	TAPPO	
17	058071590	SUPPORTO FISS.SERB.	SUPPORT	
18	058371060	FASCETTA	CLAMP	
19	146771070	GIUNTO MOTORE	JOINT MOTOR	
20		INSIEME CENTRALINA	POWER PACK	
21	048491091	MOTORE CON COMANDO	MOTOR	
22	900004171	MOTORE	MOTOR	
23	518273	COMANDO INTERRUETTORE	CONTROL SWITCH	

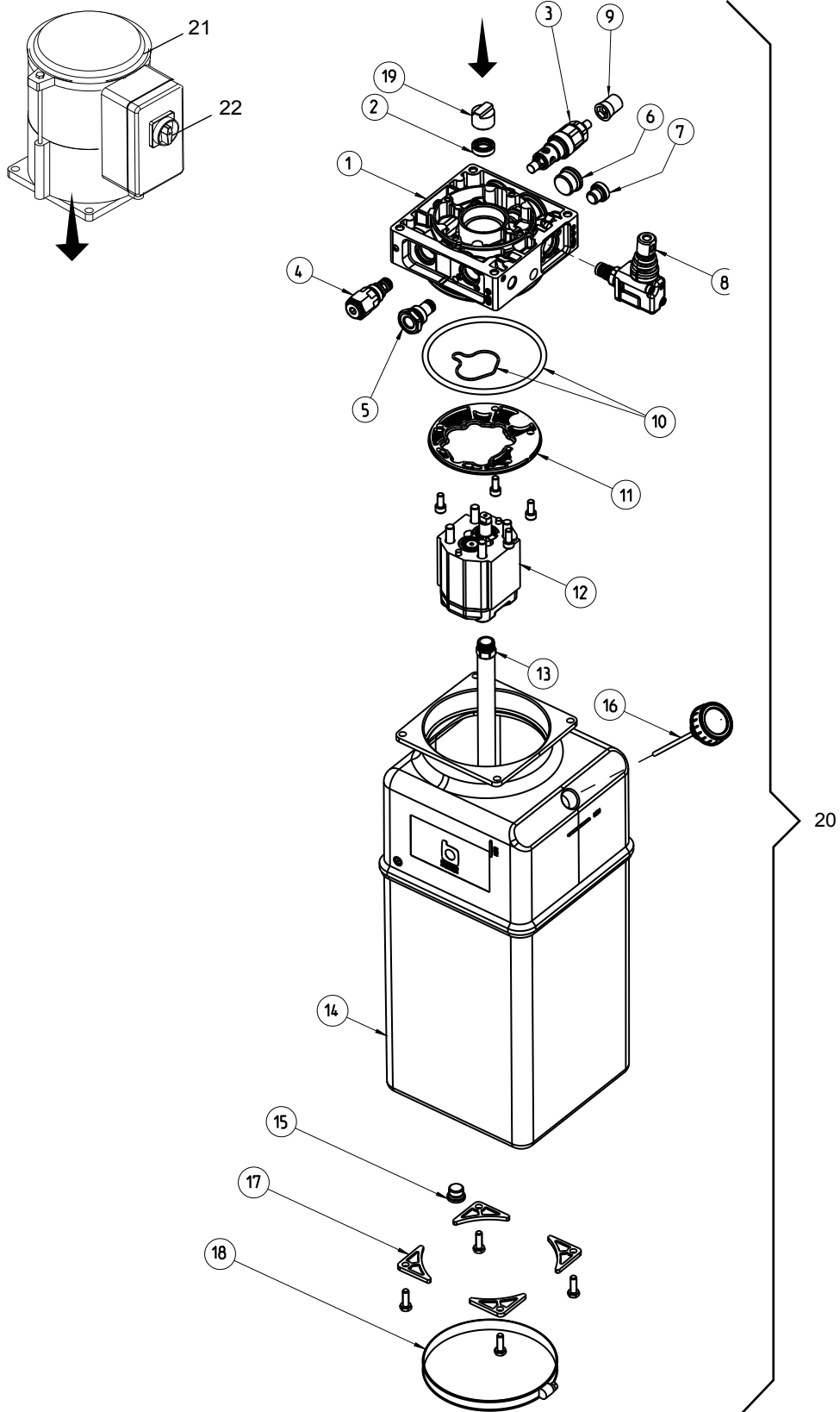
(*) Vedi intestazione: "Valida per i modelli" - See: "Apply to models"

0487-R007-0

**CENTRALINA IDRAULICA 3PH
HYDRAULIC POWER PACK**

BUCHER HYDRAULIC

8/0



Denominazione tavola - Table definition

**CENTRALINA IDRAULICA 3PH
HYDRAULIC POWER PACK****BUCHER HYDRAULIC**N°tavola / Indice di modifica
Table no. / Change index**8/0**

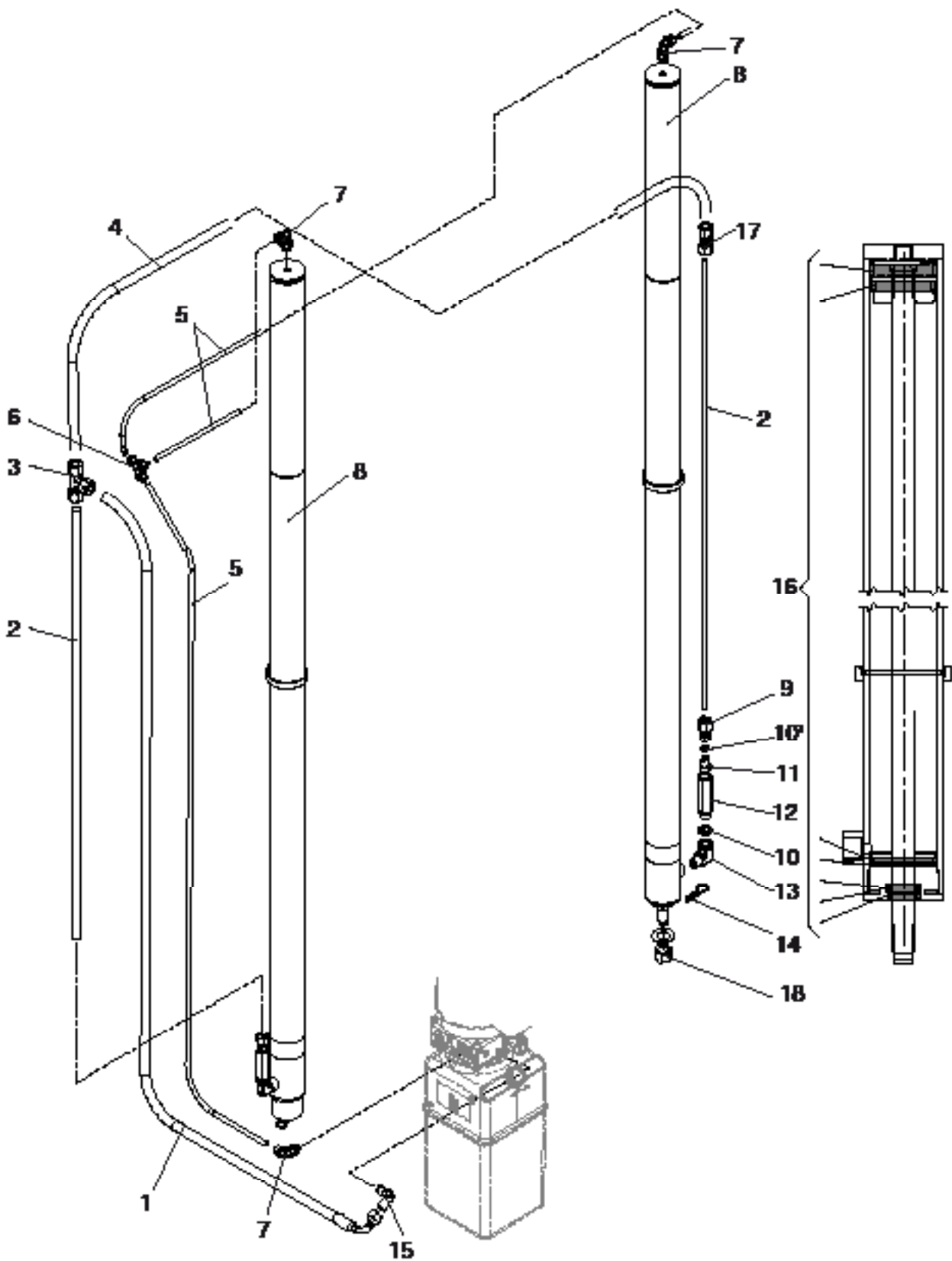
RIF. REF	CODICE	DESCRIZIONE		APPLICAZIONE APPLICATION
	CODE	DESCRIPTION		
1	048470230	COLLETTORE CENTRALE	MANIFOLD	Valido per tutti i modelli citati sulla copertina. - Valid for all models indicated in the cover
2	058070320	GUARNIZIONE	GASKET	
3	048870010	VALVOLA	VALVE	
4	058071150	VALVOLA	VALVE	
5	048470250	TAPPO	PLUG	
6	048370040	TAPPO	PLUG	
7	058071580	TAPPO	PLUG	
8	048470260	VALVOLA	VALVE	
9	048470280	TAPPO	PLUG	
10	05870220	KIT GUARNIZIONI	GASKET KIT	
11	150671160	FILTRO	FILTER	
12		POMPA COMPLETA	GEAR PUMP + SCREWS	
13	058770200	TUBO ASPIRAZIONE	SUCTION PIPE	
14		SERBATOIO	OIL TANK	
15	070171090	TAPPO	PLUG	
16	058770170	TAPPO	PLUG	
17	058071590	KIT MONTAGGIO	ASSEMBLY KIT	
18	058371060	FASCETTA	CLAMP	
19	146771070	GIUNTO MOTORE	JOINT MOTOR	
20		INSIEME CENTRALINA	POWER PACK	
21	900004180	MOTORE	MOTOR	
22	518273	INTERRUTTORE COMANDO SALITA	SWITCH	

(*) Vedi intestazione: "Valida per i modelli" - See: "Apply to models"

0487-R007-0

**IMPIANTO IDRAULICO
HYDRAULIC SYSTEM**

9/0



Denominazione tavola - Table definition

**IMPIANTO IDRAULICO
HYDRAULIC SYSTEM**

N°tavola / Indice di modifica
Table no. / Change index

9/0

RIF. REF	CODICE CODE	DESCRIZIONE DESCRIPTION	APPLICAZIONE APPLICATION
1	048460061	TUBO OLIO DA CENTRALINA A T	OIL PIPE
2	048460081	TUBO OLIO DA T A CIL. COMAND	OIL PIPE
3	306151	ADAT. A T MASCHIO	ADAPTER
4	048760080	TUBO OLIO DA T A CIL. OPPOSTO	OIL PIPE
5	317022	TUBO ELASTOLLAN C98 8X6 L=3400 L=5100 L=150	ELASTOLLAN TUBE
6	306034	RACCORDO T RAPIDO 1540 8/6	FITTING
7	305058	RACC. L GIREV.1/4M X 8/6 M.15	L-FITTING
8	048760120	MTG. CILINDRO D50	CYLINDER
9	312102	NIPPLES	NIPPLE
10	399021	ROND. BONDED S.16-3/8 TP4 SC	WASHER
10'	239022	ROSETTA DENTELLATA INTERNA M8	WASHER
11	309533	VALVOLA CTR DISCESA STF38 4I	VALVE
12	309534	COLONNETTA	COLUMN
13	312114	NIPPLES L 3/8M 3/8F 303803-3	NIPPLE
14	299119	COPIGLIA UNI 8833-Diametro 3	COTTER PIN
15	305057	RACCORDO AL BSP	FITTING
16		Kit GUARNIZIONI	GASKT KIT
17	304801	RACCORDO	FITTING
18	048761250	DADO	NUT

Valido per tutti i modelli citati sulla
copertina.
-
Valid for all models indicated in the
cover.

(*) Vedi intestazione: "Valida per i modelli" - See: "Apply to models"

0487-R007-0

ADESIVI E DISPOSITIVI SEGNAL. DI PERICOLO TABLE FOR LABELS AND DANGER WARNING DEVICES

10%

8
Duty cycle 220/160
Duty cycle 220/3/60
Duty cycle 575/3/60
60 sec ON / 540 sec OFF

7

6

5
220

4

3

2

MODELLO	VERSIONE	REVISIONE	MADE IN ITALY

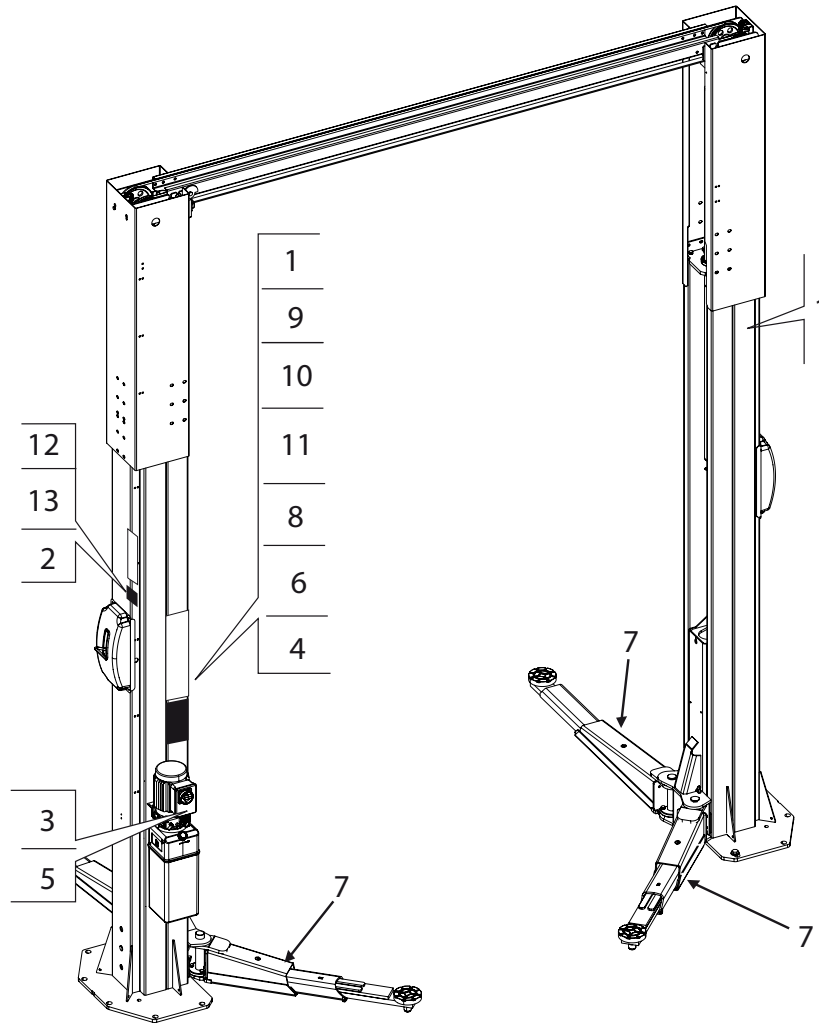
1
12000 lbs

9
"CAUTION"
"Risk Of Electric Shock, Do Not Remove Cover (Or Back). No user Serviceable Parts Inside. Refer Servicing to Qualified Service Personnel"

10
"DO NOT USE BELOW GARAGE FLOOR OR GRADE LEVEL"
"NE PAS EMPLOYER AU DESSOUS DU SOL DU GARAGE OU BIEN DE LA SURFACE DE TRAVAIL"

11
"WARNING"
"Risk Of Explosion. This Equipment Has Internal Arcing Or Sparking Parts Which Should Not Be Exposed To Flammable Vapors. It Should Not Be Located In A Recessed Area Or Below Floor Level."

12



NOTICE

If attachments, accessories, or configuration modifying components used on this lift are located in the load path and affect operation of the lift, affect the lift electrical listing, or affect intended vehicle accommodatory, and if they are not certified for use on this lift, then the certification of this lift shall become null and void. Contact the participant for information pertaining to certified attachments, accessories, or configuration modifying components.

www.autolift.org ©2011 by ALL, Inc. ALI / WLSA01

SAFETY INSTRUCTIONS Read operating and safety manuals before using lift.	SAFETY INSTRUCTIONS Proper maintenance and inspection is necessary for safe operation.	WARNING Clear area if vehicle is in danger of falling.	WARNING Position vehicle with center of gravity midway between stabilizers.	CAUTION Lift to be used by trained operator only.	CAUTION Authorized personnel only in lift area.
SAFETY INSTRUCTIONS Do not operate a damaged lift.	SAFETY INSTRUCTIONS The messages and pictographs shown are generic in nature and are subject to generally recognized hazards common to all automotive lifts regardless of specific style. Funding for the development and validation of these labels was provided by the Automotive Lift Institute, PO Box 85 Cortland, NY 13242. Replacement label sets may be obtained from the original lift manufacturer and ALL's member companies. They are protected by copyright. www.autolift.org © 2011 by ALL, Inc. AUTL1014	WARNING Remain clear of lift when lowering or lowering vehicle.	WARNING Avoid excessive jacking of vehicle while on lift.	CAUTION Use vehicle manufacturer's lift points.	CAUTION Always use safety stands when removing or installing heavy components.
WARNING Do not override self-closing lift cover.	WARNING Keep lift clear of lift wheel lowering.	CAUTION Use height extenders when necessary to ensure good contact.	CAUTION Auxiliary adapters may reduce load capacity.	Kit 048490800	

Kit 048490800

AUTOMOTIVE LIFT SAFETY TIPS

Read these safety tips when they will be a constant reminder to your lift operator. Features should be made with original equipment parts. For information specific to the lift, always refer to the manufacturer's manual.

- Operator must lift slowly. Never attempt to lift a vehicle if it does not sit on designated pads. Pads must be made with original equipment parts.
- Never operate lift on damaged or loose when released. Don't load more than rated capacity.
- Never operate lift on uneven ground. Manufacturer's rated capacity is based on normal level ground.
- Positioning of vehicle and operation of the lift should be done only by trained and authorized personnel.
- Never use vehicle with anyone inside. Customers or bystanders should not be in the lift area during operation.
- Always keep lift area free of obstructions, grease, oil, trash and other debris.
- Before raising vehicle use lift, position arms and supports to provide uniform leveling. Lift with arms and supports fully extended, or else supports. The rated capacity is for the vehicle.
- Level surface on level ground. Position lift supports to contact the vehicle's contact points. Check supports to be sure they are fully extended.
- Use the correct center of gravity. The correct center of gravity, not rear or front wheel assembly, is the vehicle manufacturer's center of gravity. Use the correct center of gravity. Use the correct center of gravity. Use the correct center of gravity. Use the correct center of gravity.
- Before lowering lift, be sure that there, stands, are in contact with vehicle. Release vehicle slowly before attempting to lower it.
- Before lowering vehicle from lift, position lift arms and supports to provide uniform leveling. Lift with arms and supports fully extended, or else supports. The rated capacity is for the vehicle. Use the correct center of gravity. Use the correct center of gravity. Use the correct center of gravity. Use the correct center of gravity.

Look For The Label on All Automotive Lifts!

Denominazione tavola - Table definition

N°tavola / Indice di modifica
Table no. / Change index

**ADESIVI E DISPOSITIVI SEGNAL. DI PERICOLO
TABLE FOR LABELS AND DANGER WARNING DEVICES**

10/0

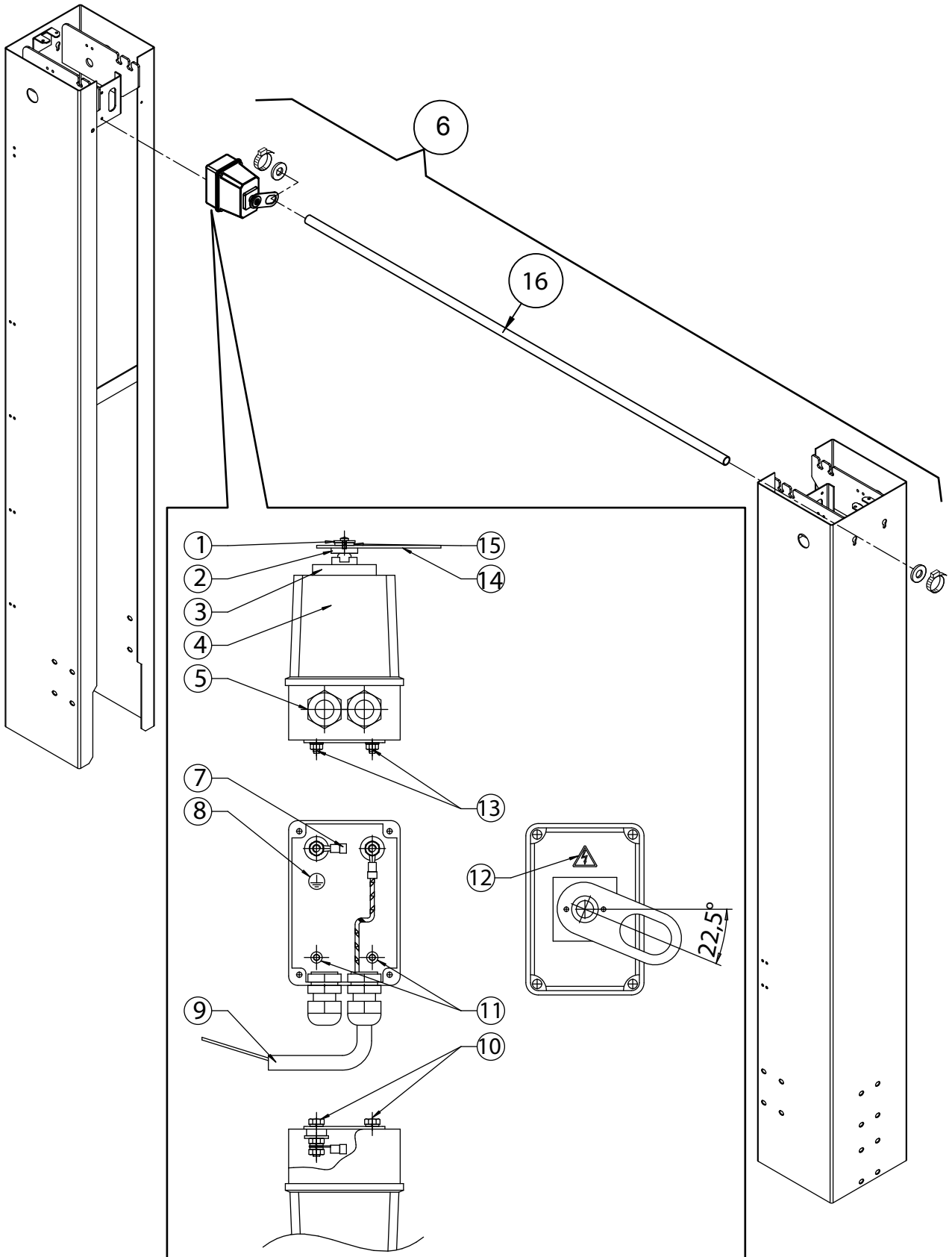
RIF. REF	CODICE CODE	DESCRIZIONE DESCRIPTION	APPLICAZIONE APPLICATION
1	999914120	TARGHETTA PORTATA 12000 lbs	PLATE
2	999920010	TARGA MATRICOLA 220V 60Hz 1Ph	PLATE
	999920020	TARGA MATRICOLA 220V 60Hz 3Ph	PLATE
	999920030	TARGA MATRICOLA 575V 60Hz 3Ph	PLATE
3	99990758	TARGHETTA PERICOLO	PLATE
4	999909850	TARGHETTA ISTRUZIONI	PLATE
5	999912530	TARGHETTA 220V 60Hz 1 Ph	PLATE
	999912520	TARGHETTA 380V 60Hz 3Ph	PLATE
	999912510	TARGHETTA 220V 60 Hz 3Ph	PLATE
	999917990	TARGHETTA 575V 60Hz 3Ph	PLATE
6	999920000	TARGHETTA RIPARTIZIONE CARICO (12000lbs)	PLATE
7	904265	NASTRO GIALLONERO	YELLOW/BLACK TAPE
8	999920150	TARGHETTA DUTY CYCLE	PLATE
9	999918150	TARGHETTA "CAUTION"	PLATE
10	999918160	TARGHETTA "WARNING"	PLATE
11	999918170	TARGHETTA "GARAGE"	PLATE
12	999918640	ADESIVO CERTIFICAZIONE ETL	PLATE
13	999919010-01	ADESIVO CERTIFICAZIONE ALI	PLATE

Valido per tutti i modelli citati sulla copertina.
-
Valid for all models indicated in the cover.

(*) Vedi intestazione: "Valida per i modelli" - See: "Apply to models"

GRUPPO LIMITATORE ALTEZZA VETTURA CAR HEIGHT LIMITING UNIT

11/0



Denominazione tavola - Table definition

N°tavola / Indice di modifica
Table no. / Change index**GRUPPO LIMITATORE ALTEZZA VETTURA
CAR HEIGHT LIMITING UNIT****11/0**

RIF. REF	CODICE CODE	DESCRIZIONE DESCRIPTION		APPLICAZIONE APPLICATION
1	237021	ROND. PIANA TRANCIATA 4X16X1.5	WASHER	Valido per tutti i modelli citati sulla copertina. - Valid for all models indicated in the cover.
2	237065	ROND. PIANA TRANCIATA 8X30X4	WASHER	
3	518274	INTERRUTTORE 0-1 STABILE 3 POLI NC	MAIN SWITCH	
4	048703060	SCATOLA ELETTRICA S370A11	ELECTRICAL BOX	
5	599432	GHIERA M20X1.5 ART. 1143M20	RING NUT	
	599429	PRESSACAVO M20X1.5 ART. 1900.M20	CABLE GRIP	
6	S370A11	KIT LIMITAZIONE ALTEZZA VEICOLO	KIT FOR LIMITING THE HEIGHT OF THE VEHICLE	
7	509030	CAPICORDA OCCH.BLU Ø6 ART. BF-M 6	TERMINALS	
8	599462	TARGHETTA SIMBOLO TERRA	PLATE	
9	048865070	CAVO PER S370A10U VERSIONE 1PH	CABLE	
	048865080	CAVO PER S370A10U VERSIONE 3PH	CABLE	
10	226007	DADO ESAGONALE BASSO M6 ZN	NUT	
	237011	ROND. PIANA TRANCIATA 6X18X2 ZN	WASHER	
	239019	RONDELLA DENT. ESTERNA Ø6.4	WASHER	
	203127	VITE TE M6X25 ZN	SCREW	
11	206012	VITE TCEI M6X10 ZN	SCREW	
12	999910210	TARGHETTA AUTOADESIVA PERICOLO	PLATE	
13	236004	RONDELLA PIANA Ø6.4 ZN	WASHER	
	226007	DADO ESAGONALE BASSO M6 ZN	NUT	
14	048821090	LEVA INTERRUTTORE	LEVER	
15	238004	RONDELLA ELASTICA Ø6.4 ZN	WASHER	
16	048721060	TUBO MAX ALTEZZA	TUBE	

(*) Vedi intestazione: "Valida per i modelli" - See: "Apply to models"

0487-R007-0

Pagina bianca per esigenze di impaginazione

This page intentionally blank